

# INSTALLATION MANUAL

**HUBER+SUHNER**

**HUBER+SUHNER AG**  
FO FDC BU Product Management  
Fiber Management Systems  
DOC-0000823891 Rev D  
Date: 12/12/2020

Page 1 of 75

## NGR – Next Generation Rack

### Table of contents

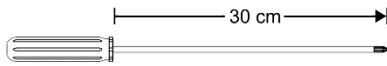
● REQUIRED TOOLS	3
● CRATE MATERIAL USED AND TRANSPORT	3
● UNPACKING	4
● MOVING NGR INTO POSITION	4
● REMOVAL OF NGR 300 DOOR AND SIDE PANEL	5
● REMOVAL OF NGR 600 DOOR AND SIDE PANELS	6
● REMOVAL OF NGR 900 DOORS AND SIDE PANELS	8
● REMOVAL OF NGR 1200 DOORS AND SIDE PANELS	9
● REMOVAL OF NGR 1500 DOORS AND SIDE PANELS	10
● REMOVAL OF NGR 1800 DOORS AND SIDE PANELS	12
● REMOVAL OF NGR 2100 DOORS AND SIDE PANELS	13
● MOUNTING OF CAGE NUT	14
● ASSEMBLY OF NGR 1200 – APPOSITION OF NGR 300 ON LEFT SIDE OF NGR 900	15
● ASSEMBLY OF NGR 1500	16
● ASSEMBLY OF NGR 1800 / 2100 – APPOSITION OF NGR 300 ON LEFT AND OR RIGHT SIDE	17
● MOUNTING OF NGR 300 ON A FIXED FLOOR – CONCRETE FIXATION	17
● MOUNTING OF NGR 600 ON A FIXED FLOOR – CONCRETE FIXATION	18
● MOUNTING OF NGR 900 ON A FIXED FLOOR – CONCRETE FIXATION	19
● MOUNTING OF NGR 1200 ON A FIXED FLOOR – CONCRETE FIXATION	19
● MOUNTING OF NGR 1500 ON A FIXED FLOOR – CONCRETE FIXATION	20
● MOUNTING OF NGR 1800 ON A FIXED FLOOR – CONCRETE FIXATION	21
● MOUNTING OF NGR 2100 ON A FIXED FLOOR – CONCRETE FIXATION	23
● MOUNTING OF NGR 300 ON A RAISED FLOOR	24
● MOUNTING OF NGR 600 ON A RAISED FLOOR	26
● MOUNTING OF NGR 900 ON A RAISED FLOOR	29
● MOUNTING OF NGR 1200 ON A RAISED FLOOR	31
● MOUNTING OF NGR 1500 ON A RAISED FLOOR	33
● MOUNTING OF NGR 1800 ON A RAISED FLOOR	36
● MOUNTING OF NGR 2100 ON A RAISED FLOOR	38
● MOUNTING OF CAGE NUT	41
● MOUNTING OF NGR 300 PATCH CORD ROUTING CHANNEL	42
● MOUNTING OF NGR 300 PATCH CORD ROUTING CHANNEL WITH ADDITIONAL BREAKOUT PLATE	42
● MOUNTING OF NGR 600 PATCH CORD ROUTING CHANNEL	43
● MOUNTING OF NGR 900 PATCH CORD ROUTING CHANNEL	44
● MOUNTING OF NGR 900 PATCH CORD ROUTING CHANNEL WITH ADDITIONAL BREAKOUT PLATE	45
● MOUNTING OF NGR 1200 PATCH CORD ROUTING CHANNEL	46



● MOUNTING OF NGR 1500 PATCH CORD ROUTING CHANNEL	46
● MOUNTING OF NGR 1800 PATCH CORD ROUTING CHANNEL	47
● MOUNTING OF NGR 2100 PATCH CORD ROUTING CHANNEL	49
● MOUNTING OF BREAKOUT TROUGH AT BOTTOM OR ON TOP	50
● MOUNTING OF NGR 300 BREAKOUT PLATE 300MM AT BOTTOM OR ON TOP	51
● MOUNTING OF NGR 600 BREAKOUT PLATE 300MM AT BOTTOM OR ON TOP	51
● MOUNTING OF NGR 600 BREAKOUT PLATE 19" STANDARD AT BOTTOM OR ON TOP	52
● MOUNTING OF NGR 600 2 <sup>ND</sup> LAYER OF BREAKOUT PLATE 19" STANDARD AT BOTTOM OR ON TOP	52
● MOUNTING OF NGR 600 BREAKOUT PLATE 19" LARGE AT BOTTOM OR ON TOP	53
● MOUNTING OF NGR 600 2 <sup>ND</sup> LAYER OF BREAKOUT PLATE 19" LARGE AT BOTTOM OR ON TOP	54
● MOUNTING OF NGR 900 BREAKOUT PLATE 300MM AT BOTTOM OR ON TOP	54
● MOUNTING OF NGR 900 BREAKOUT PLATE 19" STANDARD AT BOTTOM OR ON TOP	55
● MOUNTING OF NGR 900 2 <sup>ND</sup> LAYER OF BREAKOUT PLATE 19" STANDARD AT BOTTOM OR ON TOP	56
● MOUNTING OF NGR 900 BREAKOUT PLATE 19" LARGE AT BOTTOM OR ON TOP	57
● MOUNTING OF NGR 900 2 <sup>ND</sup> LAYER OF BREAKOUT PLATE 19" LARGE AT BOTTOM OR ON TOP	57
● MOUNTING OF CABLE RETAINER	58
● DEMOUNTING / MOUNTING OF MANDRELS	59
● MOUNTING OF GROUNDING CABLES	59
● BAYING NGR 300 / NGR 600 / NGR 900 TOGETHER SIDE BY SIDE OR BACK TO BACK	60
● BAYING NGR 1200 TOGETHER SIDE BY SIDE OR BACK TO BACK	61
● BAYING NGR 1500 TOGETHER SIDE BY SIDE OR BACK TO BACK	62
● BAYING NGR 1800 TOGETHER SIDE BY SIDE OR BACK TO BACK	63
● BAYING NGR 2100 TOGETHER SIDE BY SIDE OR BACK TO BACK	64
● MOUNTING OF RACK AGAINST A WALL	65
● MOUNTING OF RACK TO CEILING	66
● MOUNTING OF NGR 300 SIDE PANEL AND DOOR	66
● MOUNTING OF NGR 600 SIDE PANELS AND DOOR	68
● MOUNTING OF NGR 900 SIDE PANELS AND DOORS	69
● MOUNTING OF NGR 1200 SIDE PANELS AND DOORS	70
● MOUNTING OF NGR 1500 SIDE PANELS AND DOORS	72
● MOUNTING OF NGR 1800 SIDE PANELS AND DOORS	73
● MOUNTING OF NGR 2100 SIDE PANELS AND DOORS	74

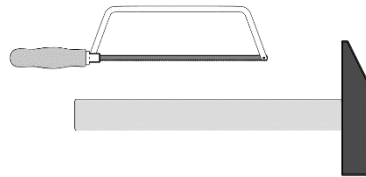
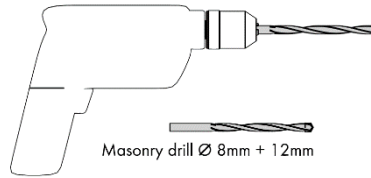
### REQUIRED TOOLS

Step 1



- Long PZ / Phillips #2
- PZ / Phillips #3
- Combination spanner AF= 10 mm (M6) and 17mm (M10)

Step 2

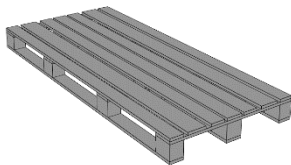


Tools for mounting NGR on a fixed or raised floor

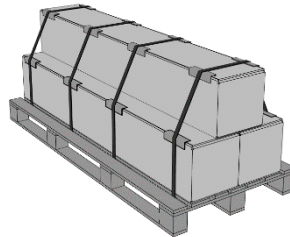
### CRATE MATERIAL USED AND TRANSPORT

Step 1

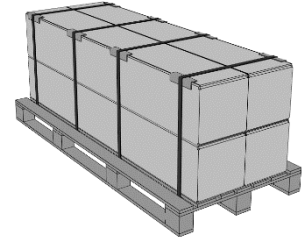
Wooden pallet 2280x998mm  
same size for all rack sizes and types



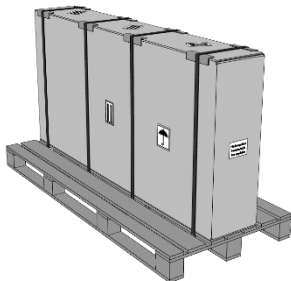
Step 2



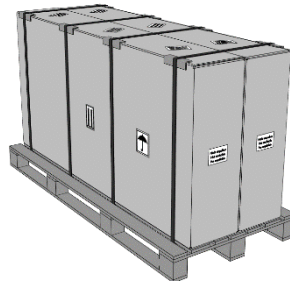
Step 3



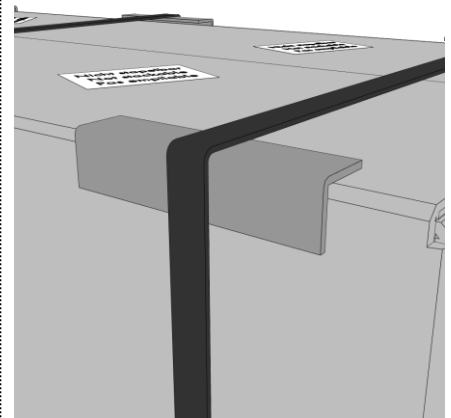
Step 4



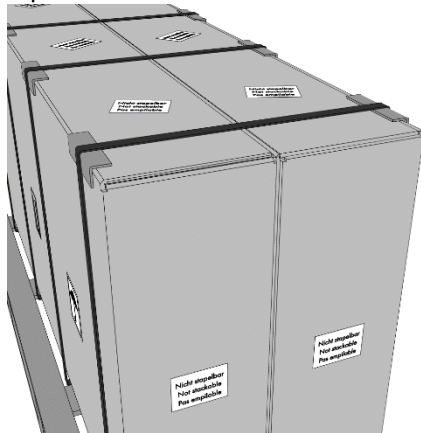
Step 5



Step 6



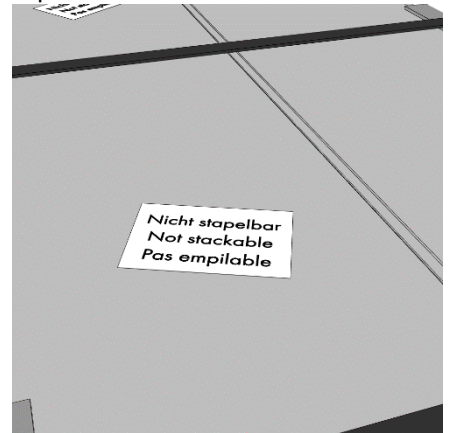
Step 7



Step 8

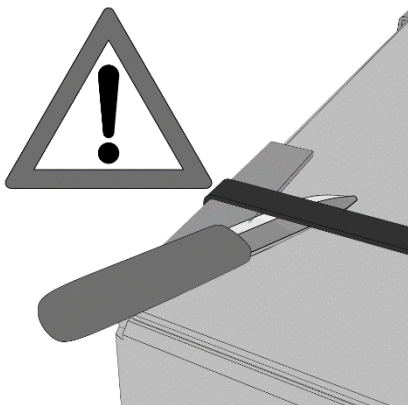


Step 9

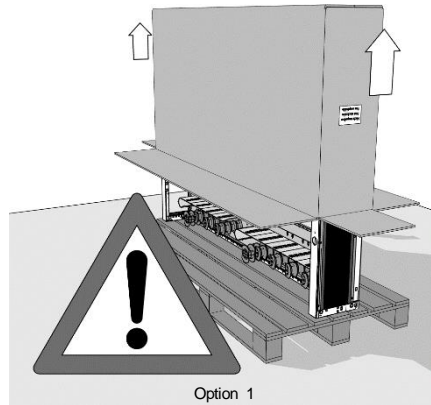


### UNPACKING

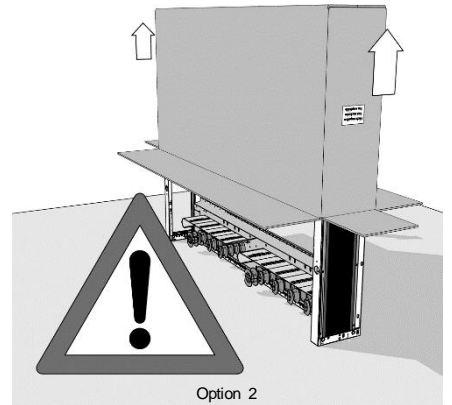
Step 1



Step 2

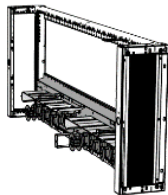


Step 3



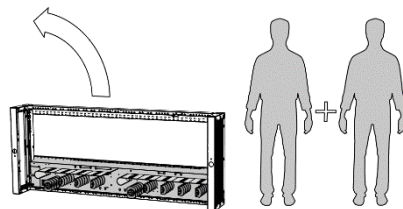
### MOVING NGR INTO POSITION

Step 1



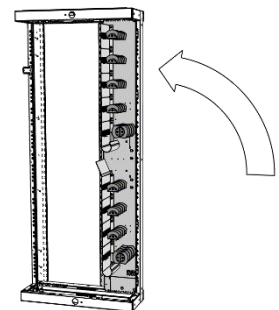
Option 1

Step 2



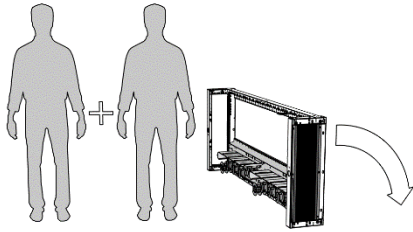
Option 1

Step 3



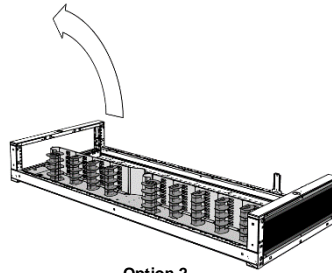
Option 1

Step 1



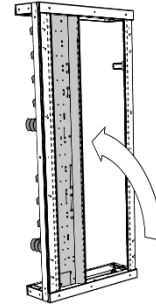
Option 2

Step 2



Option 2

Step 3



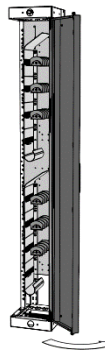
Option 2

### REMOVAL OF NGR 300 DOOR AND SIDE PANEL

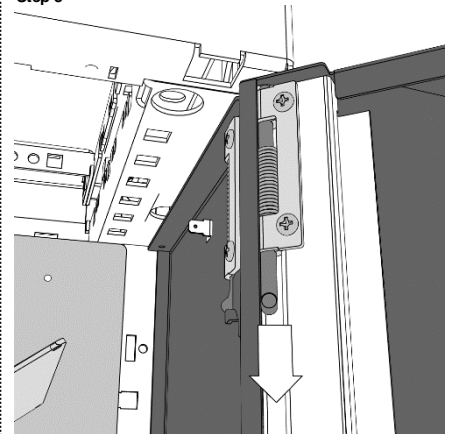
Step 1



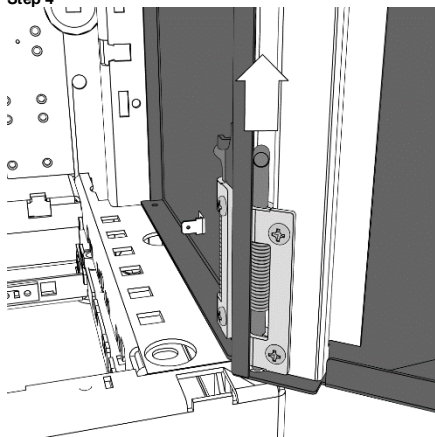
Step 2



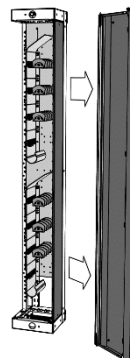
Step 3



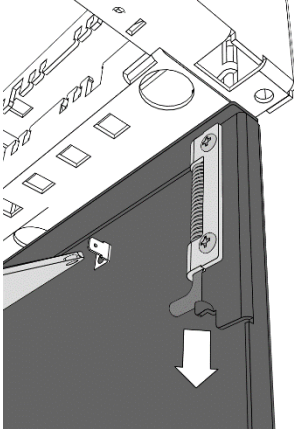
Step 4



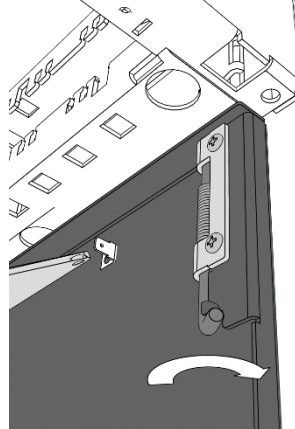
Step 5



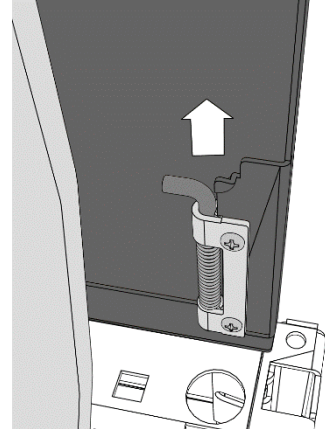
Step 6



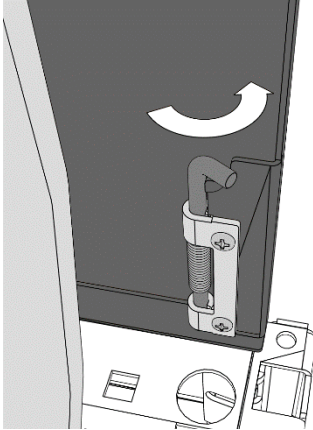
Step 7



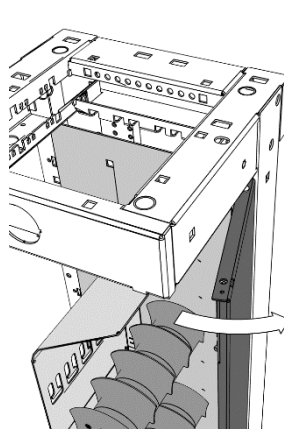
Step 8



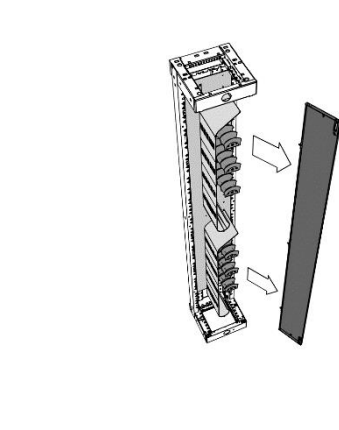
Step 9



Step 10



Step 11



### REMOVAL OF NGR 600 DOOR AND SIDE PANELS

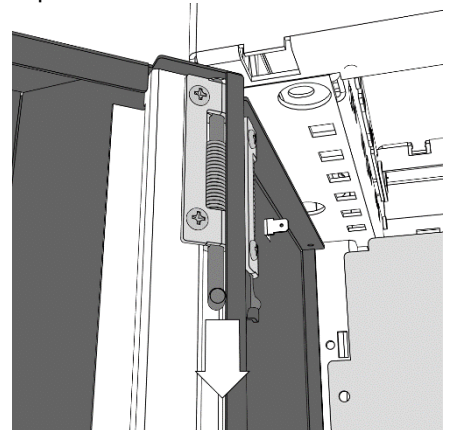
Step 1



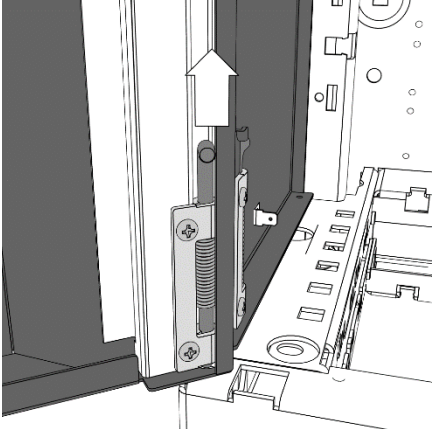
Step 2



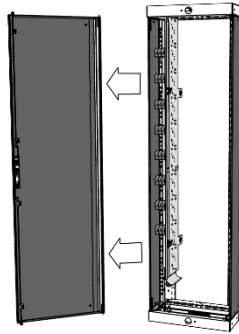
Step 3



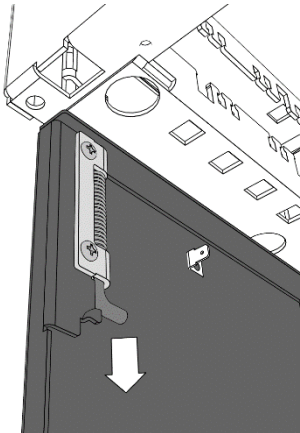
Step 4



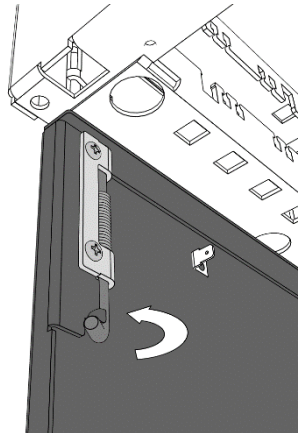
Step 5



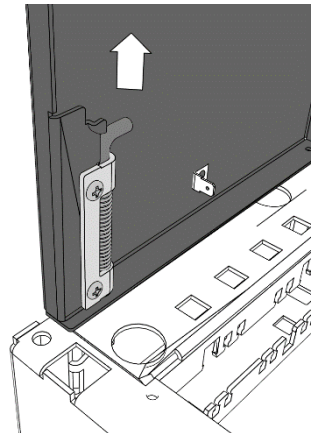
Step 6



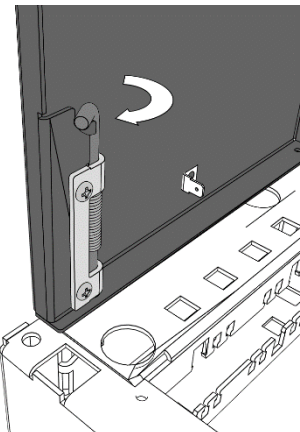
Step 7



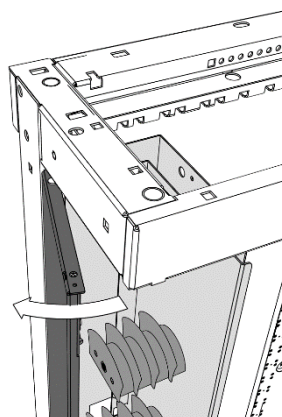
Step 8



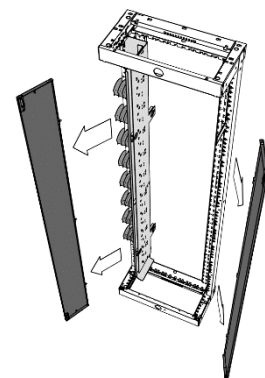
Step 9



Step 10



Step 11

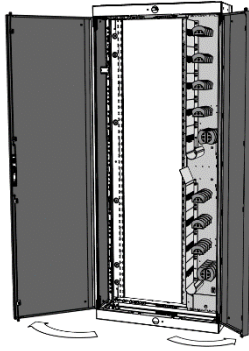


### REMOVAL OF NGR 900 DOORS AND SIDE PANELS

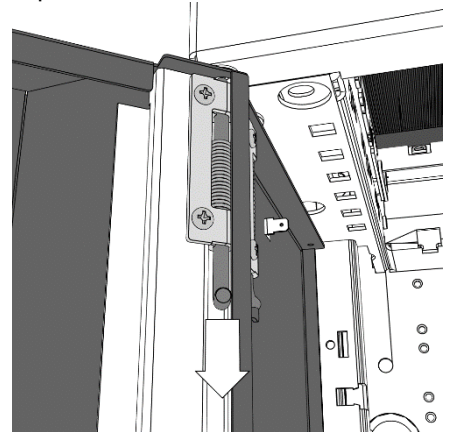
Step 1



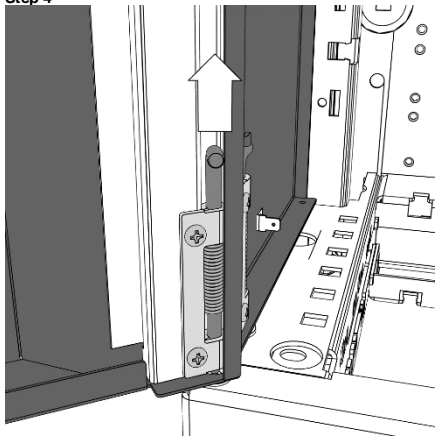
Step 2



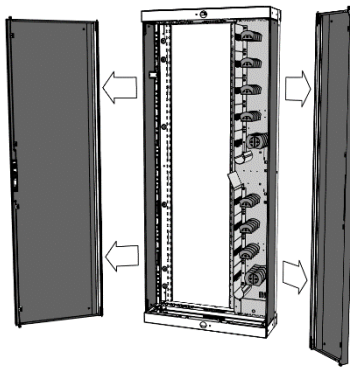
Step 3



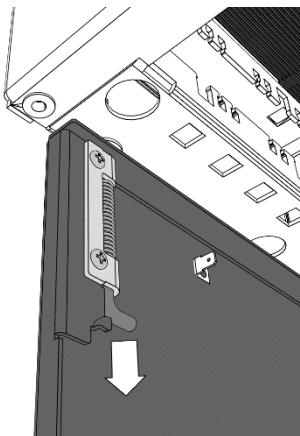
Step 4



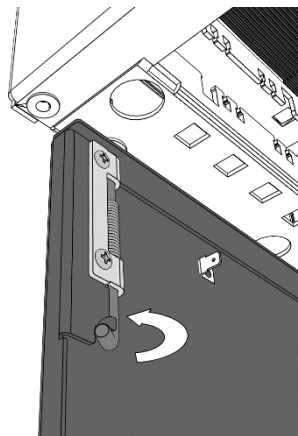
Step 5



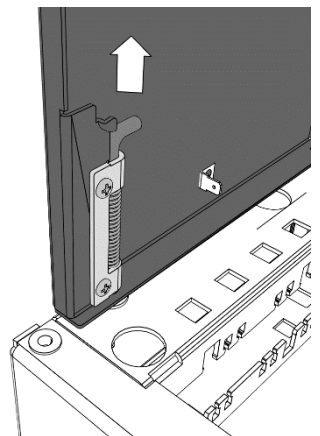
Step 6



Step 7

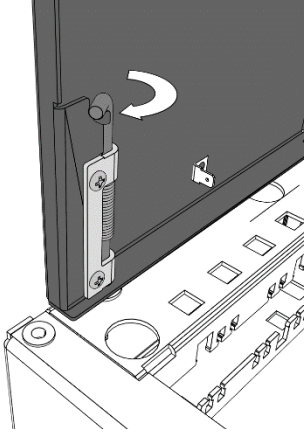


Step 8

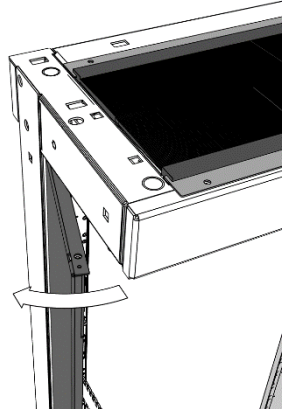




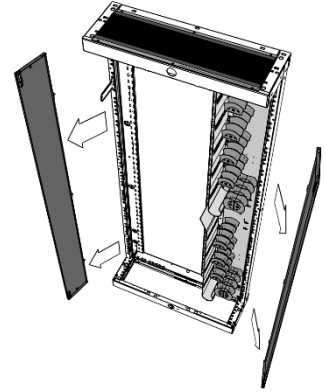
Step 9



Step 10



Step 11

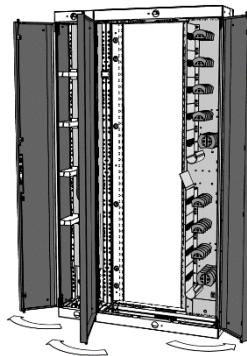


### REMOVAL OF NGR 1200 DOORS AND SIDE PANELS

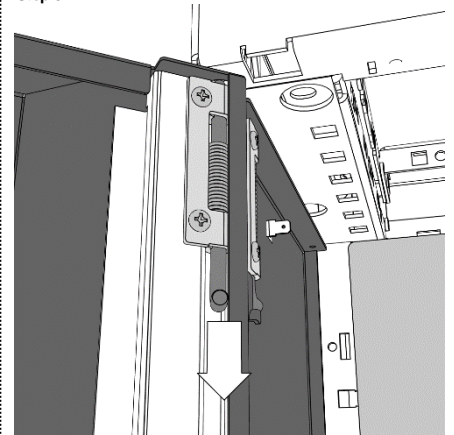
Step 1



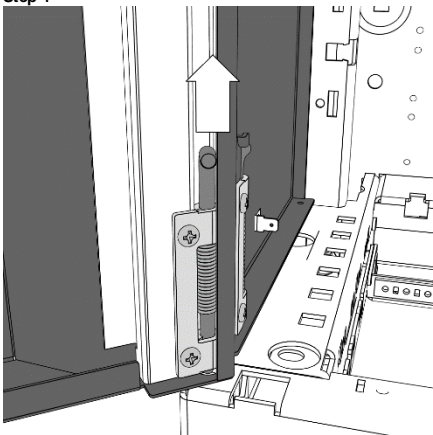
Step 2



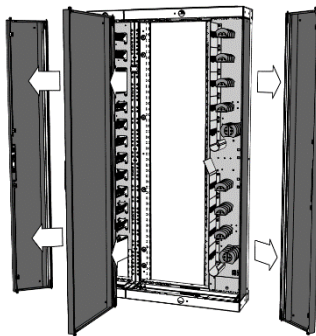
Step 3



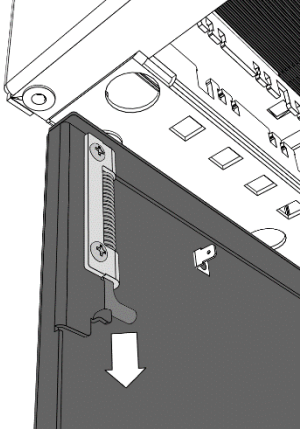
Step 4



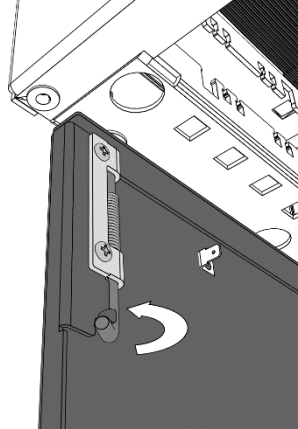
Step 5



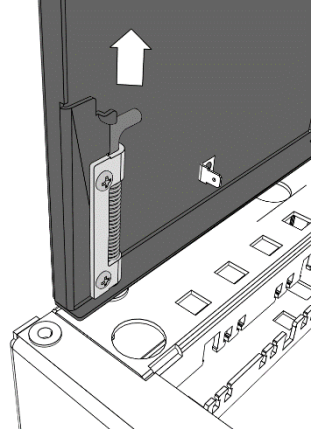
Step 6



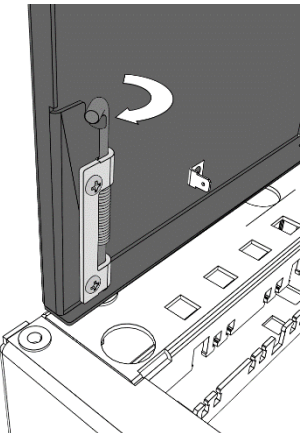
Step 7



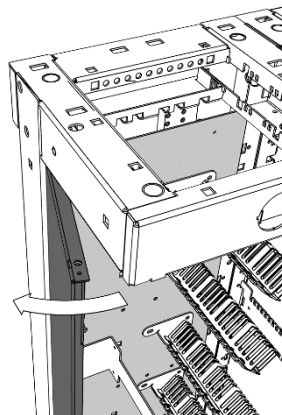
Step 8



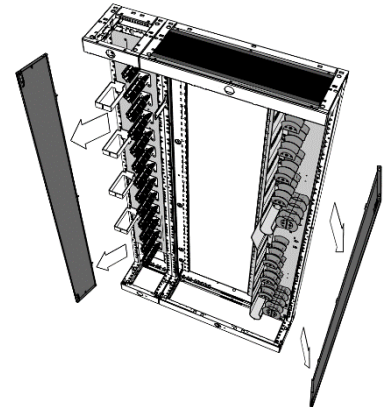
Step 9



Step 10



Step 11

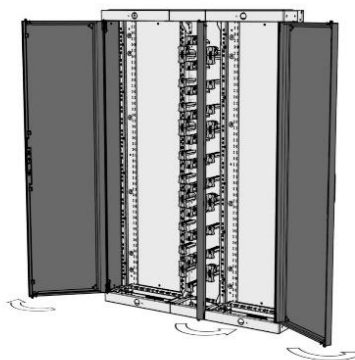


### REMOVAL OF NGR 1500 DOORS AND SIDE PANELS

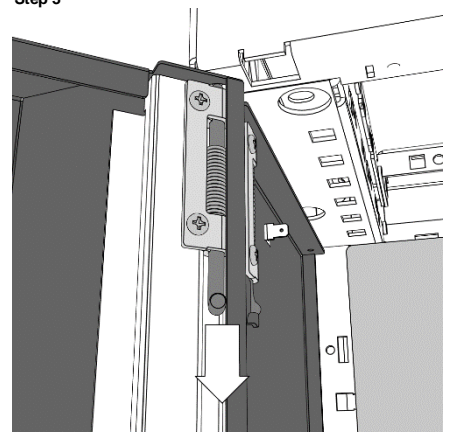
Step 1



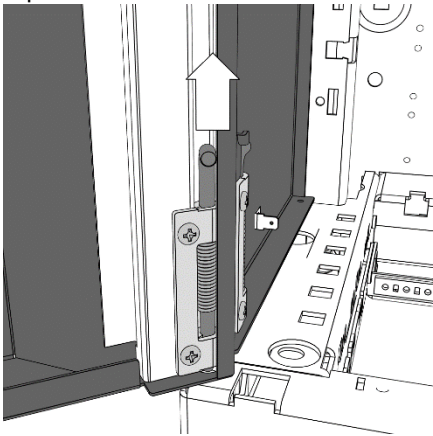
Step 2



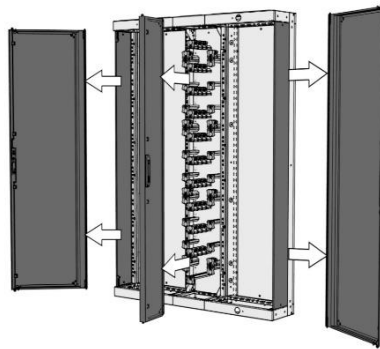
Step 3



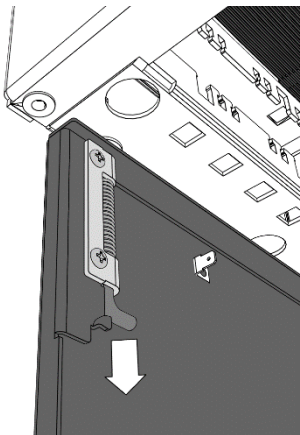
Step 4



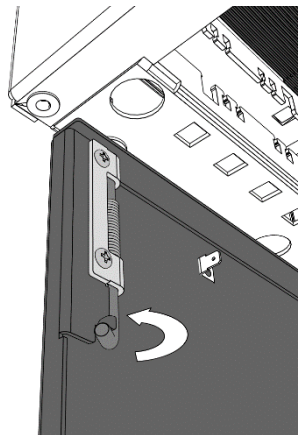
Step 5



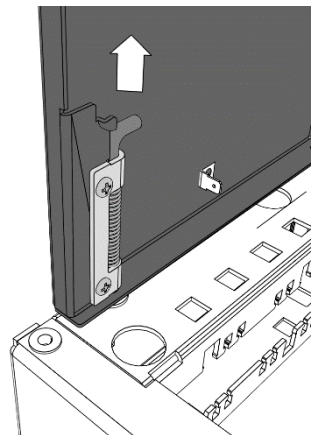
Step 6



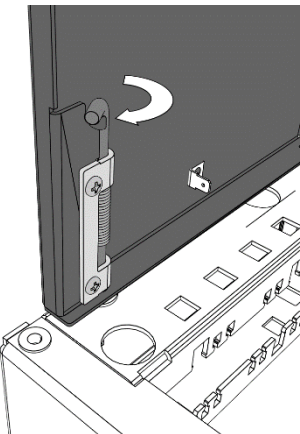
Step 7



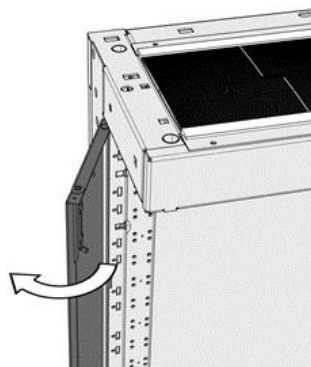
Step 8



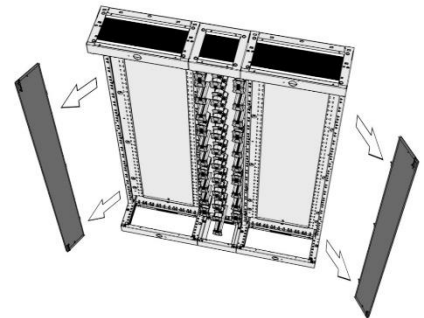
Step 9



Step 10



Step 11

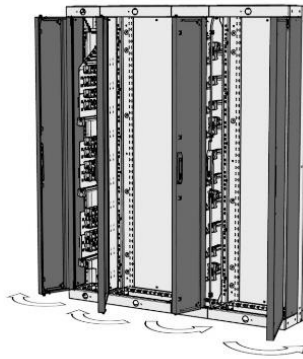


**REMOVAL OF NGR 1800 DOORS AND SIDE PANELS**

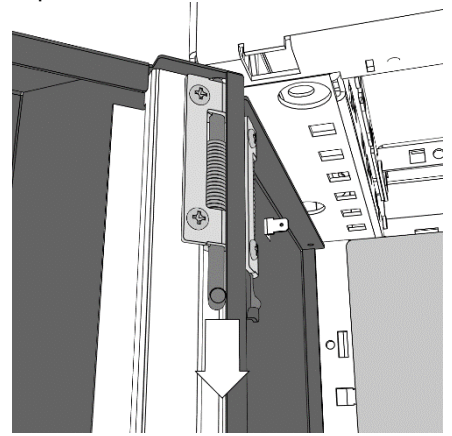
Step 1



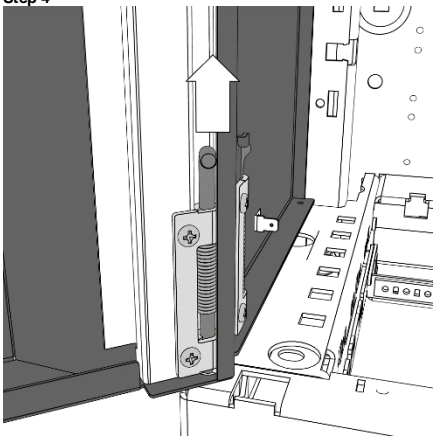
Step 2



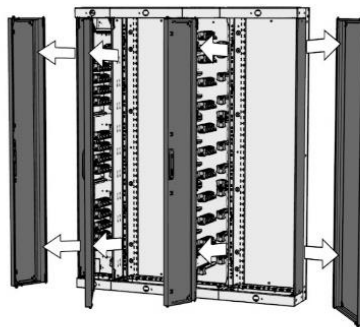
Step 3



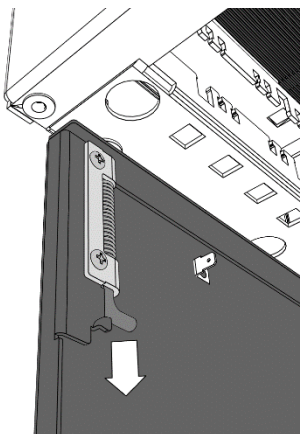
Step 4



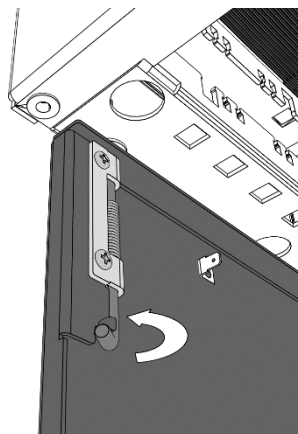
Step 5



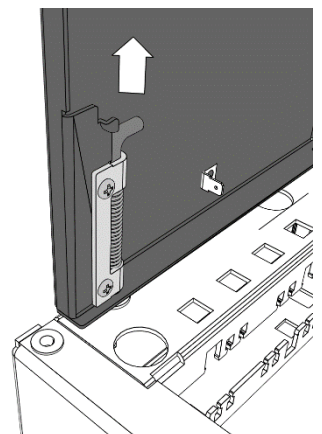
Step 6



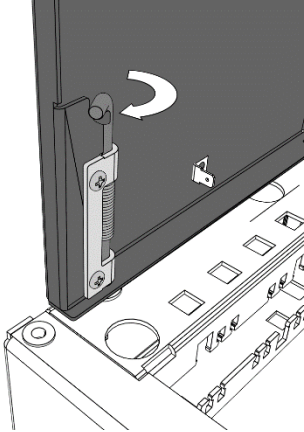
Step 7



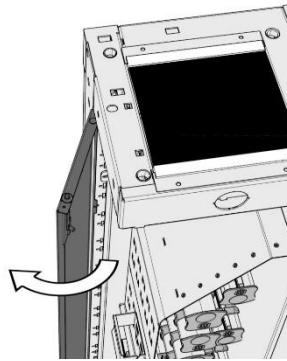
Step 8



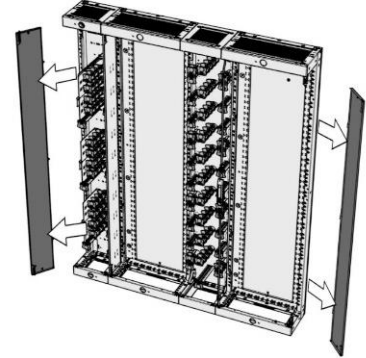
Step 9



Step 10



Step 11

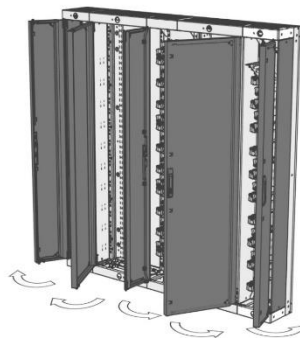


### REMOVAL OF NGR 2100 DOORS AND SIDE PANELS

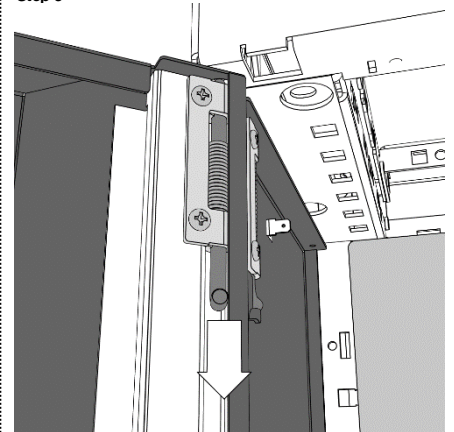
Step 1



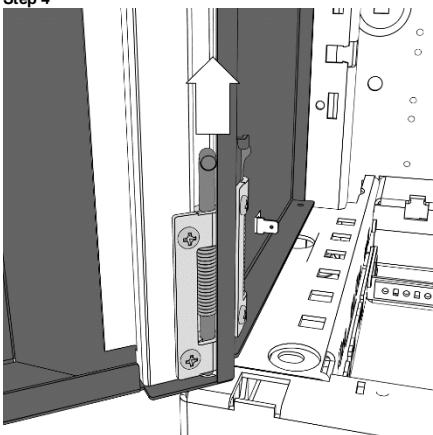
Step 2



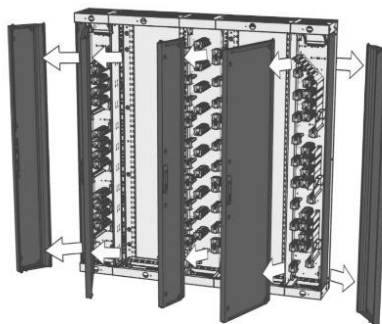
Step 3



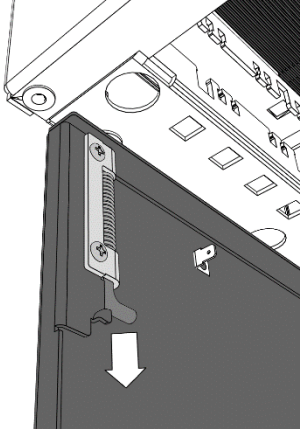
Step 4



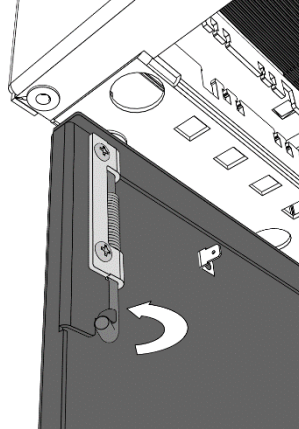
Step 5



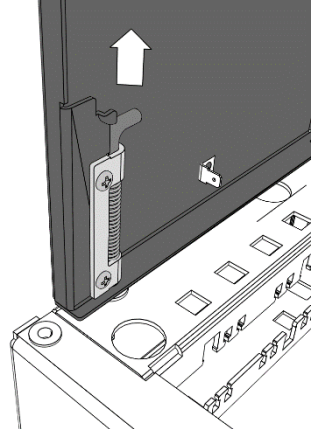
Step 6



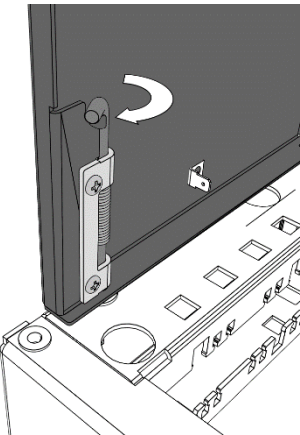
Step 7



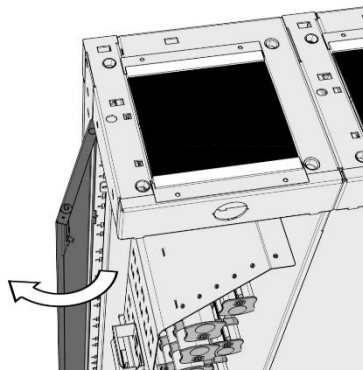
Step 8



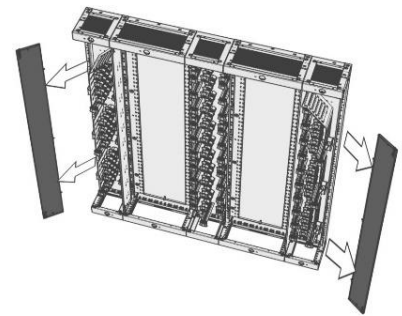
Step 9



Step 10

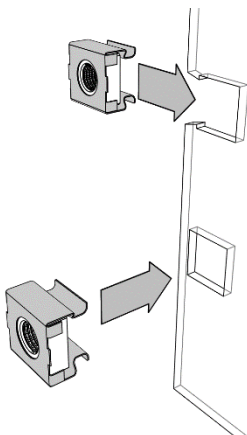


Step 11

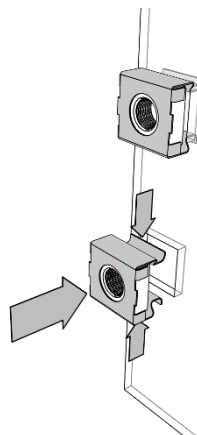


### MOUNTING OF CAGE NUT

Step 1

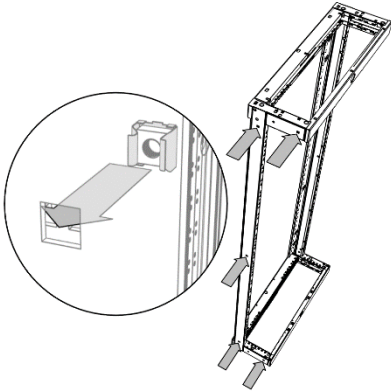


Step 2

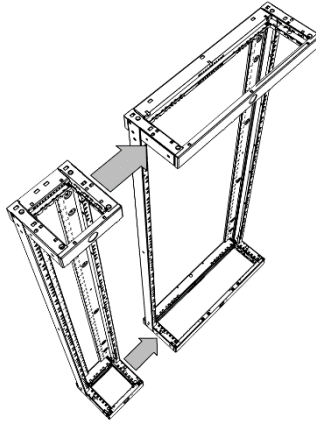


### ASSEMBLY OF NGR 1200 – APPOSITION OF NGR 300 ON LEFT SIDE OF NGR 900

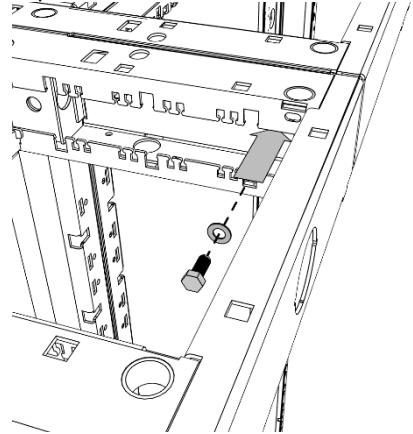
Step 1



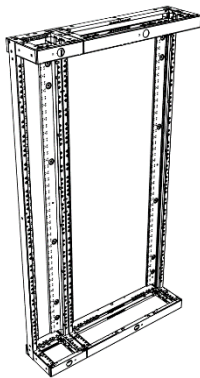
Step 2



Step 3

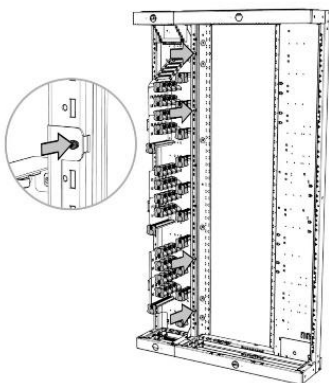


Step 4



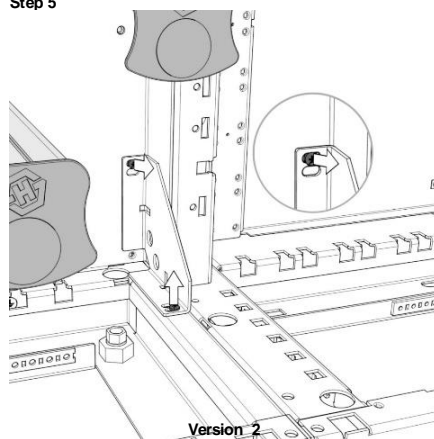
Version 1

Step 4



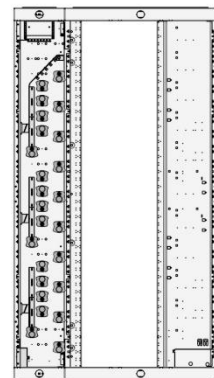
Version 2

Step 5



Version 2

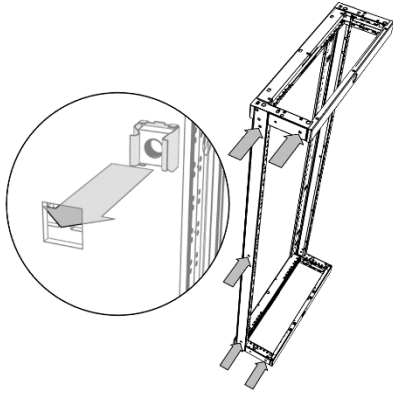
Step 6



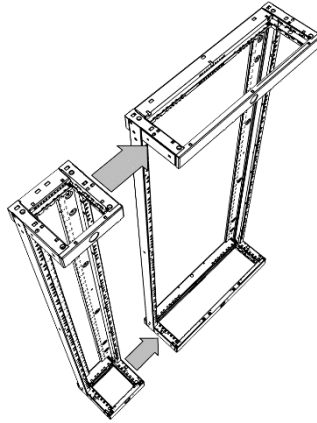
Version 2

### ASSEMBLY OF NGR 1500

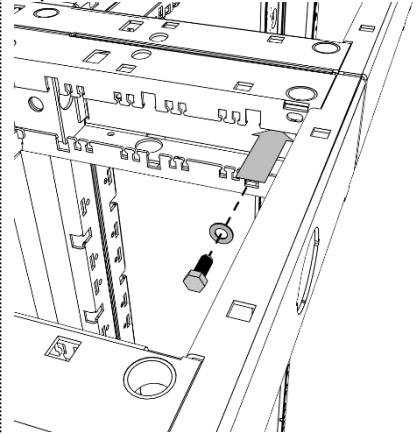
Step 1



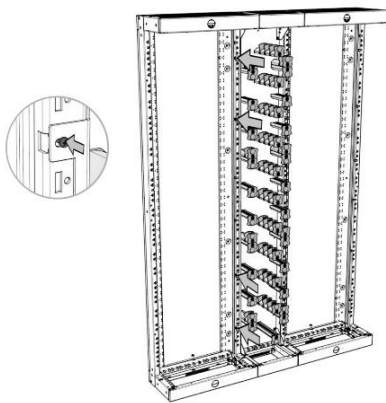
Step 2



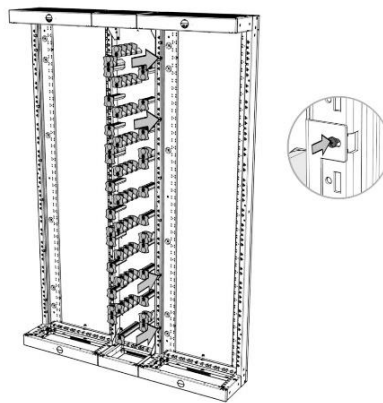
Step 3



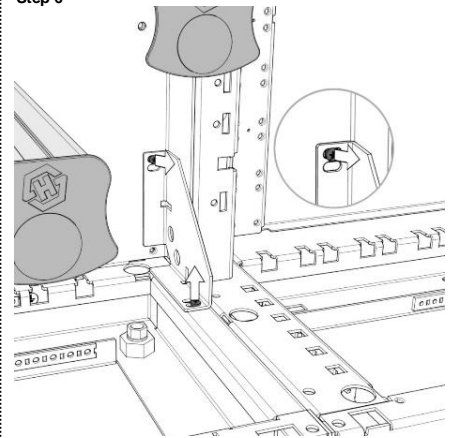
Step 4



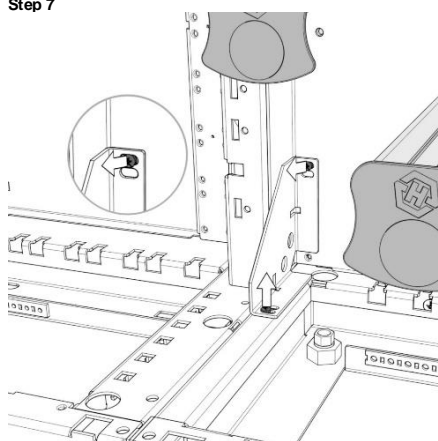
Step 5



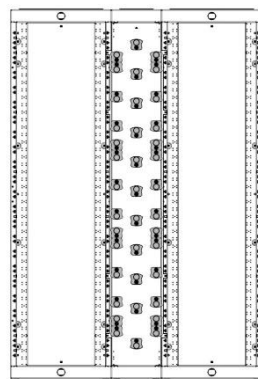
Step 6



Step 7



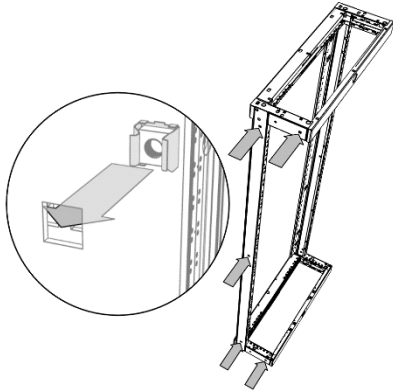
Step 8



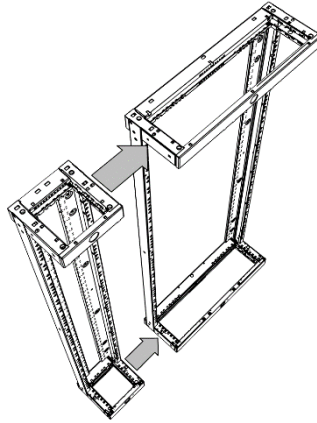


**ASSEMBLY OF NGR 1800 / 2100 – APPPOSITION OF NGR 300 ON LEFT AND OR RIGHT SIDE**

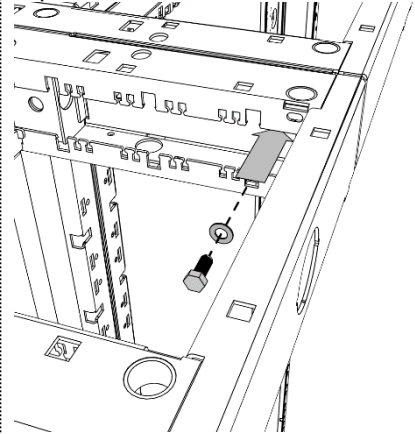
Step 1



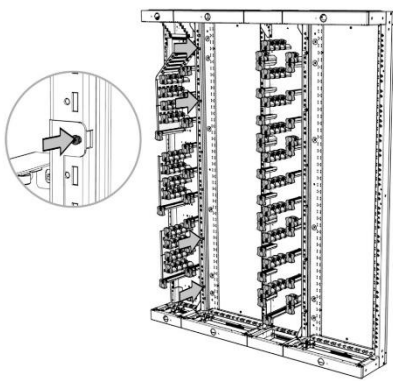
Step 2



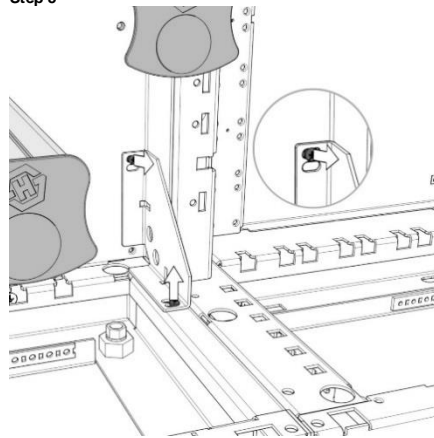
Step 3



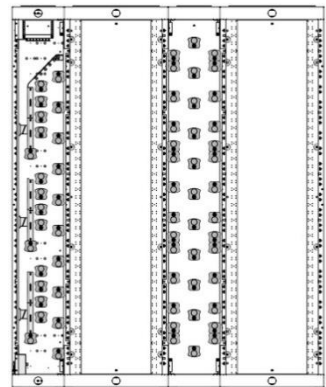
Step 4



Step 5

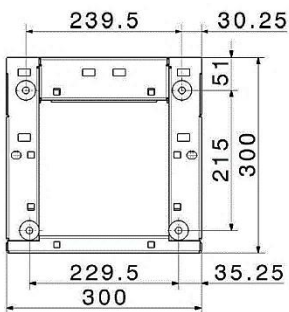


Step 6



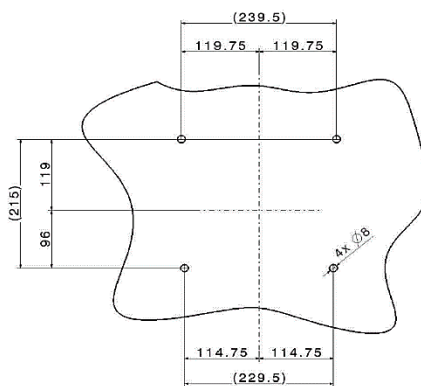
**MOUNTING OF NGR 300 ON A FIXED FLOOR – CONCRETE FIXATION – 84091849**

Step 1



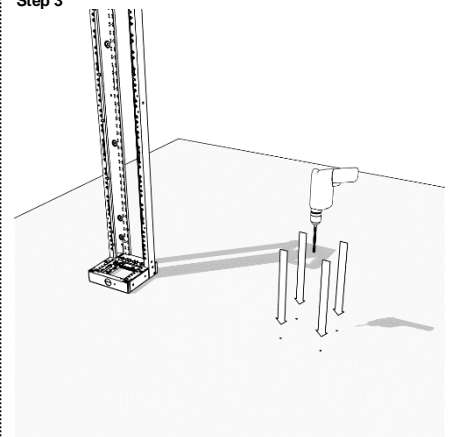
Frame dimensions

Step 2

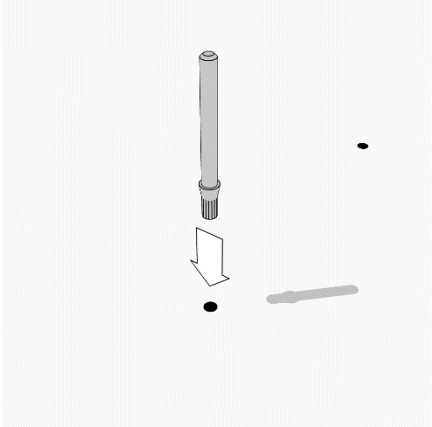


Hole pattern

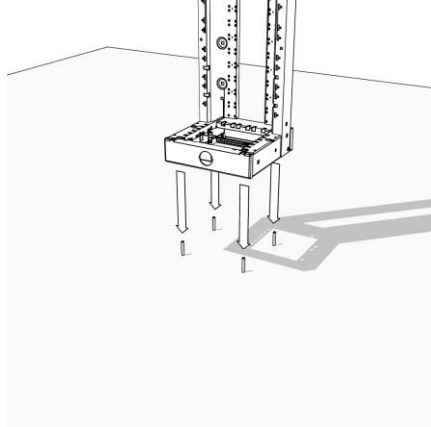
Step 3



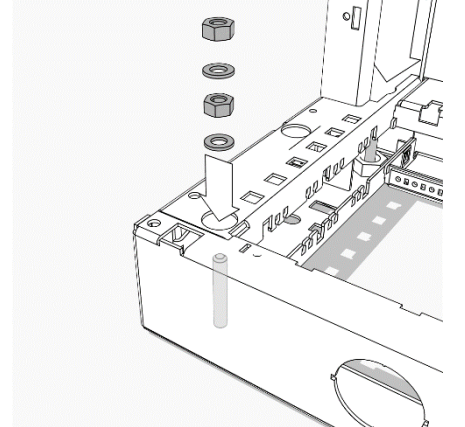
Step 4



Step 5

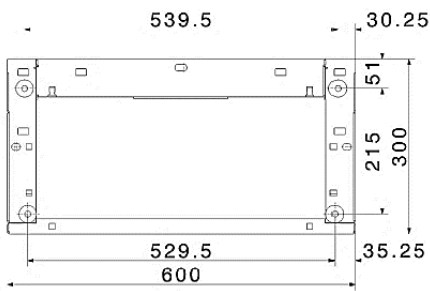


Step 6



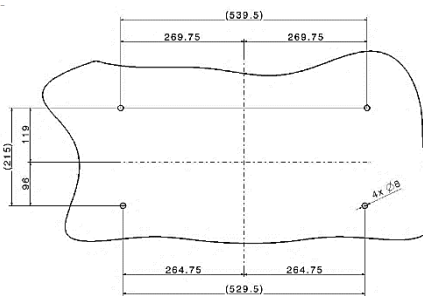
### MOUNTING OF NGR 600 ON A FIXED FLOOR – CONCRETE FIXATION – 84091849

Step 1



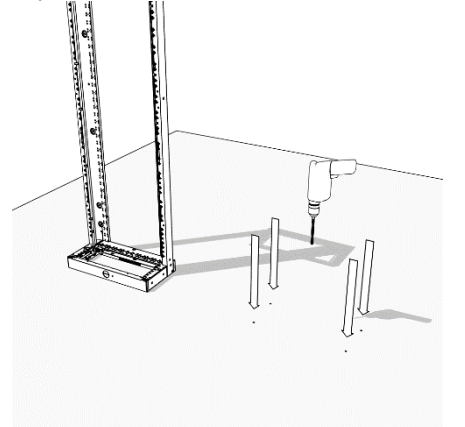
Frame dimensions

Step 2

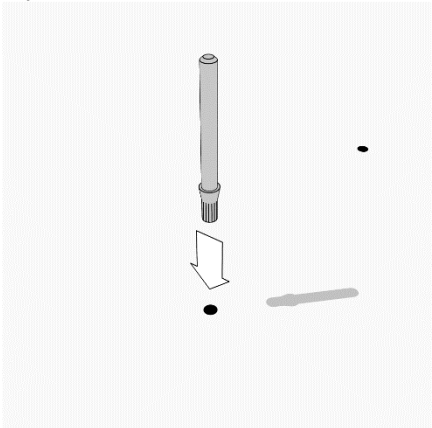


Hole pattern

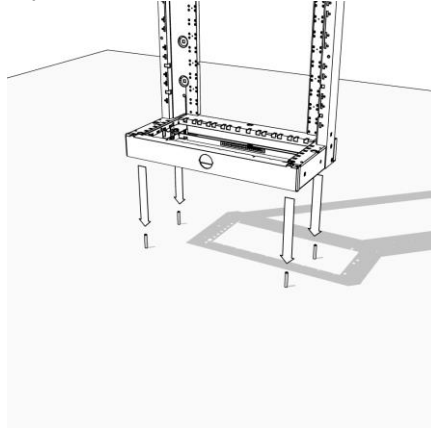
Step 3



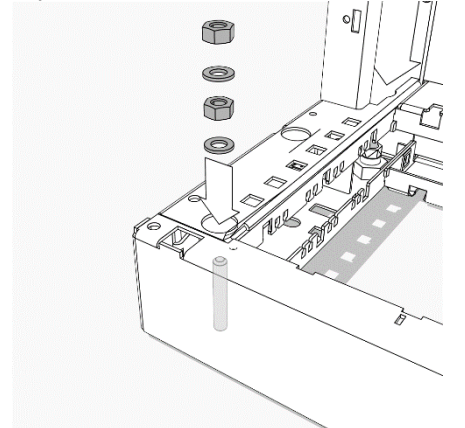
Step 4



Step 5

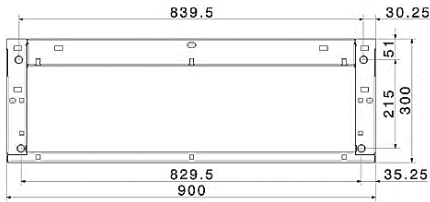


Step 6



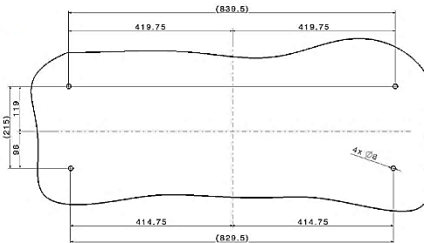
**MOUNTING OF NGR 900 ON A FIXED FLOOR – CONCRETE FIXATION – 84091849**

Step 1



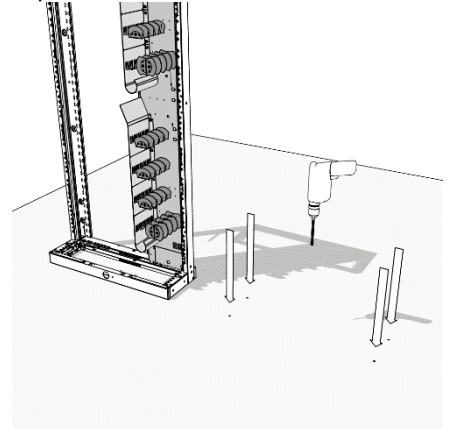
Frame dimensions

Step 2

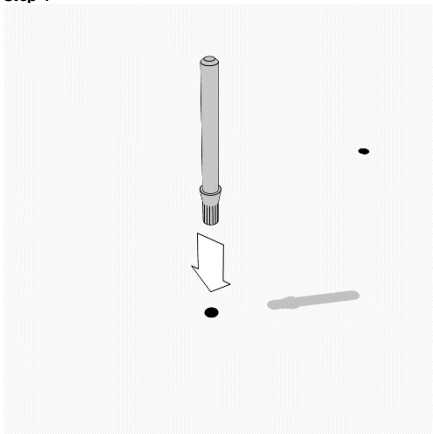


Hole pattern

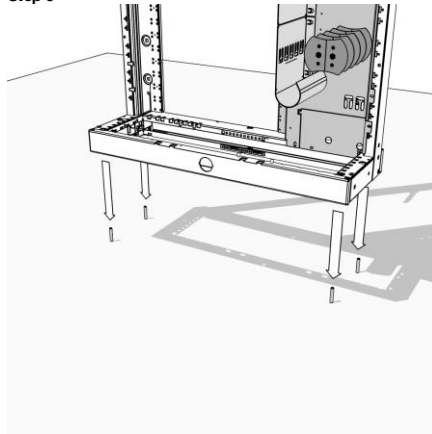
Step 3



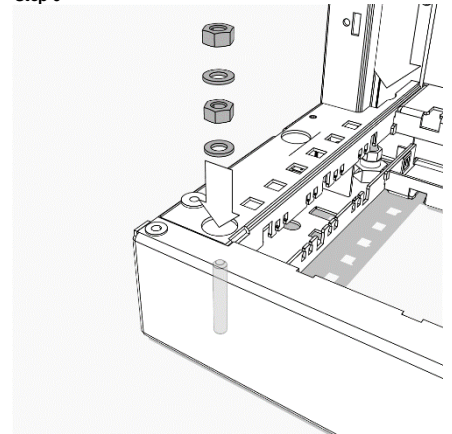
Step 4



Step 5

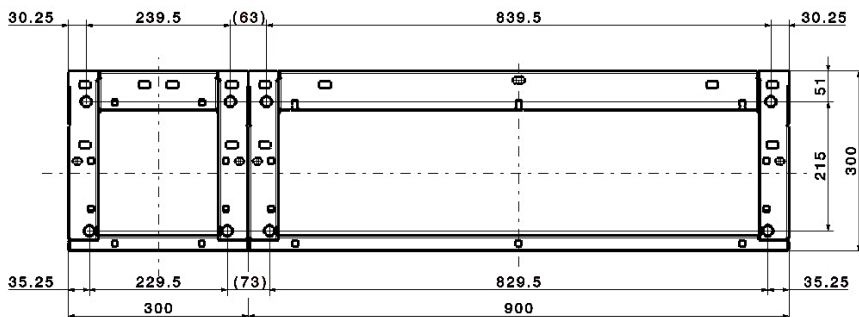


Step 6



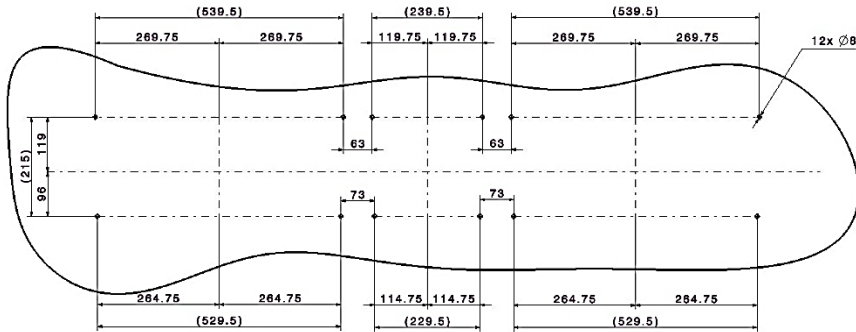
**MOUNTING OF NGR 1200 ON A FIXED FLOOR – CONCRETE FIXATION – 84091849**

Step 1

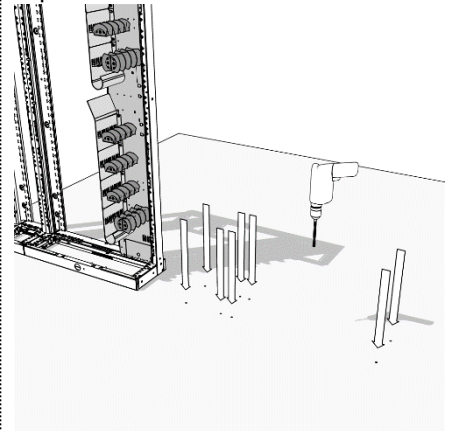


Frame dimensions

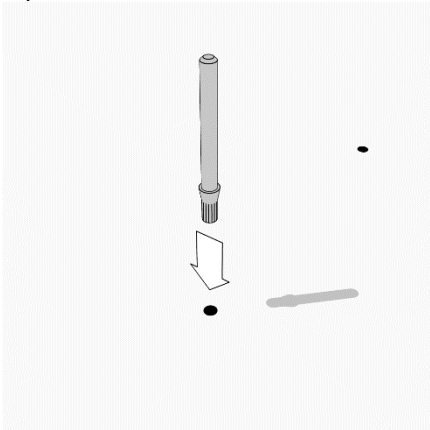
Step 2



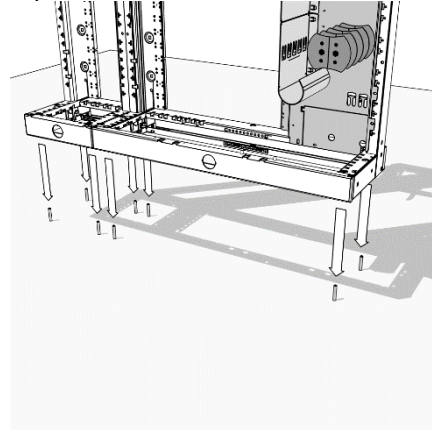
Step 3



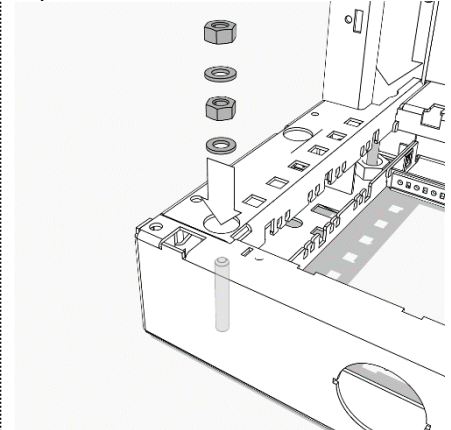
Step 4



Step 5

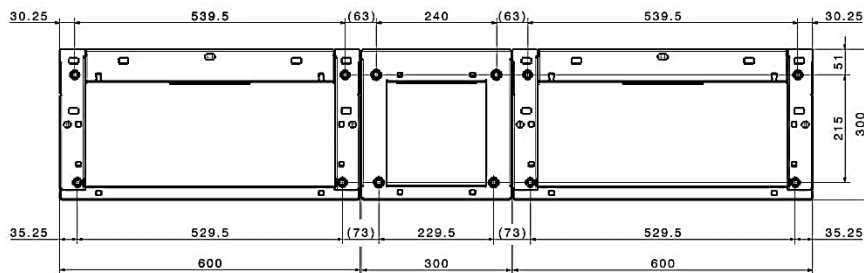


Step 6



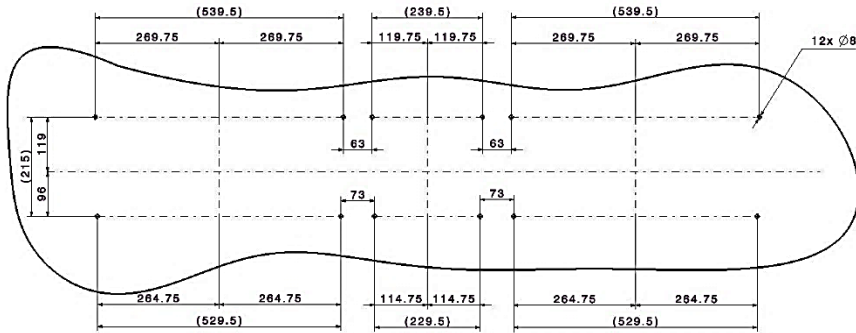
### MOUNTING OF NGR 1500 ON A FIXED FLOOR – CONCRETE FIXATION – 84091849

Step 1

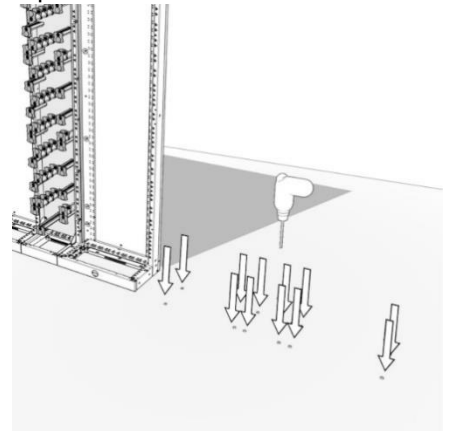


Frame dimensions

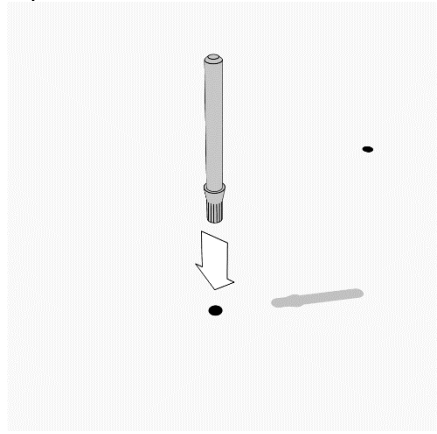
Step 2



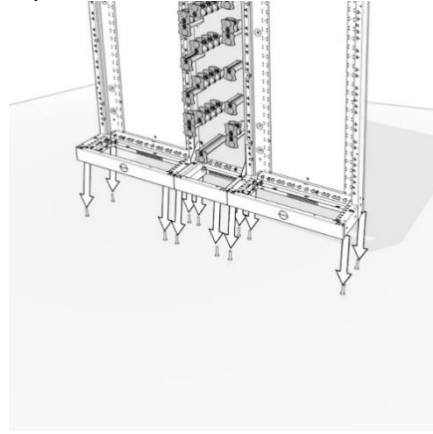
Step 3



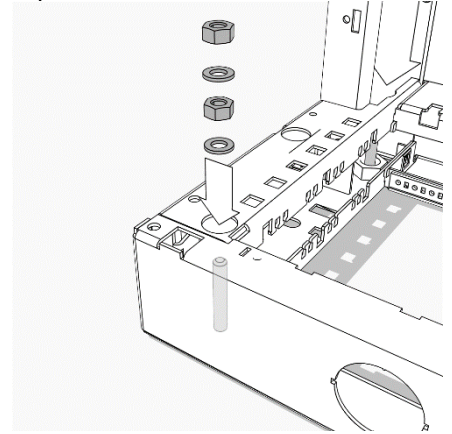
Step 4



Step 5

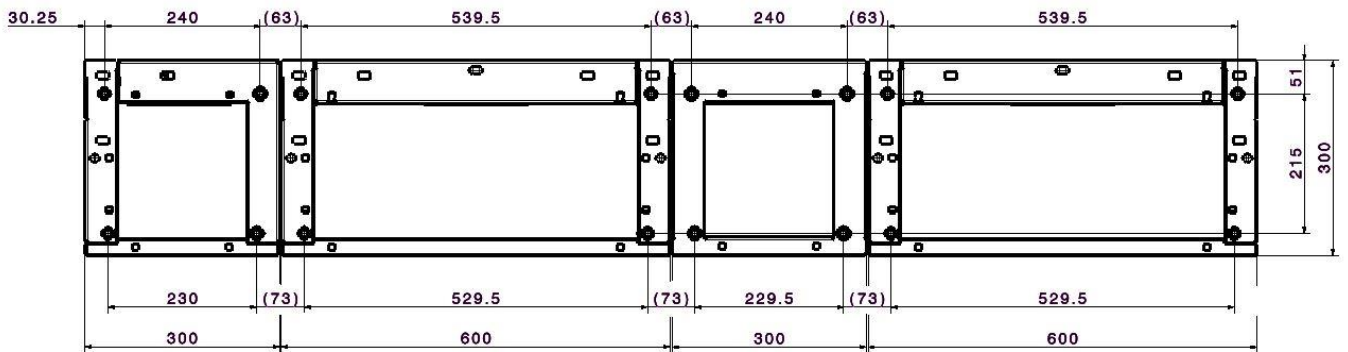


Step 6



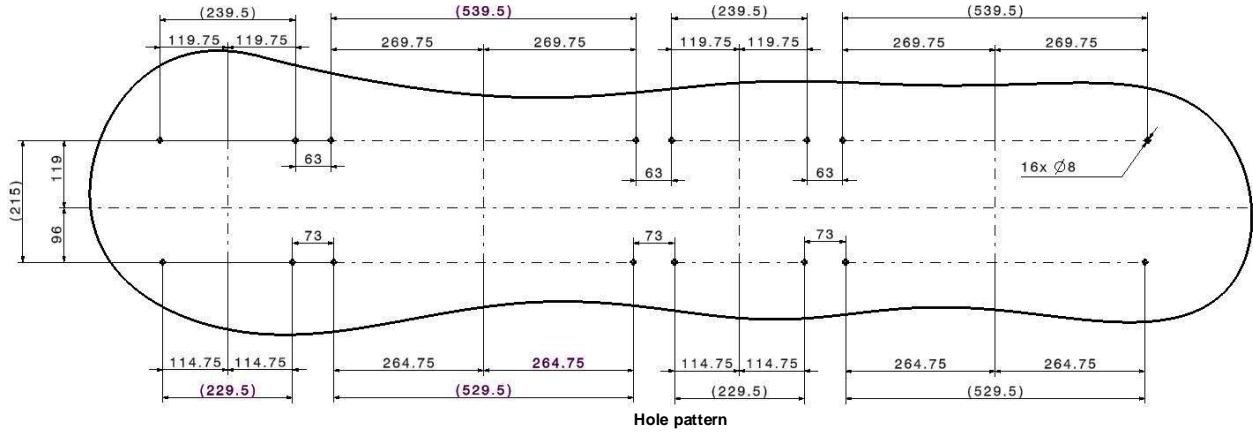
**MOUNTING OF NGR 1800 ON A FIXED FLOOR – CONCRETE FIXATION – 84091849**

Step 1

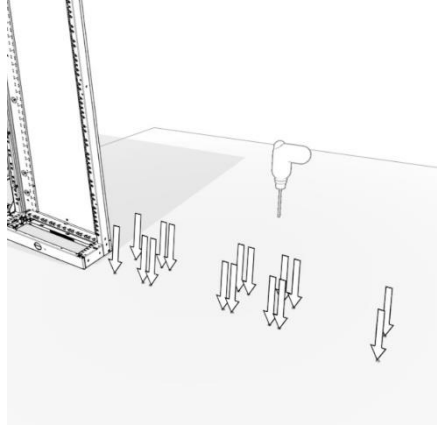


Frame dimensions

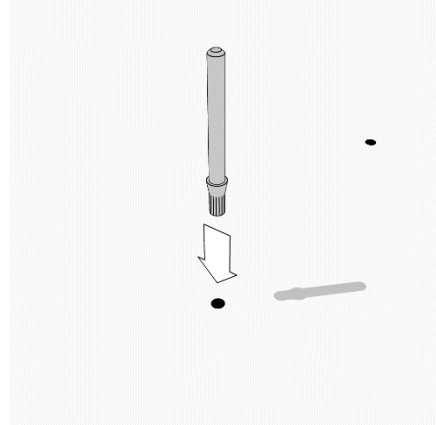
**Step 2**



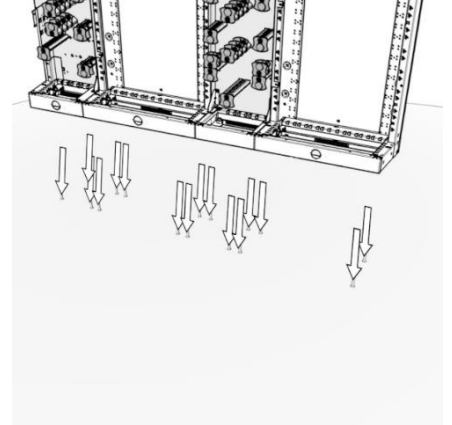
**Step 3**



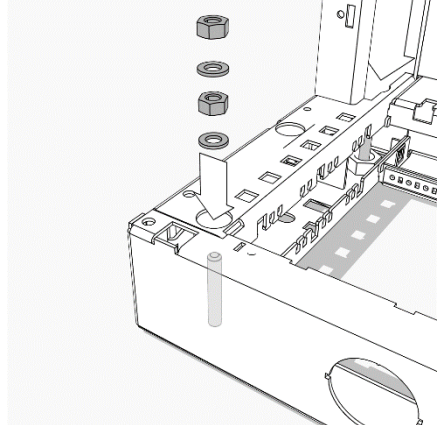
**Step 4**



**Step 5**

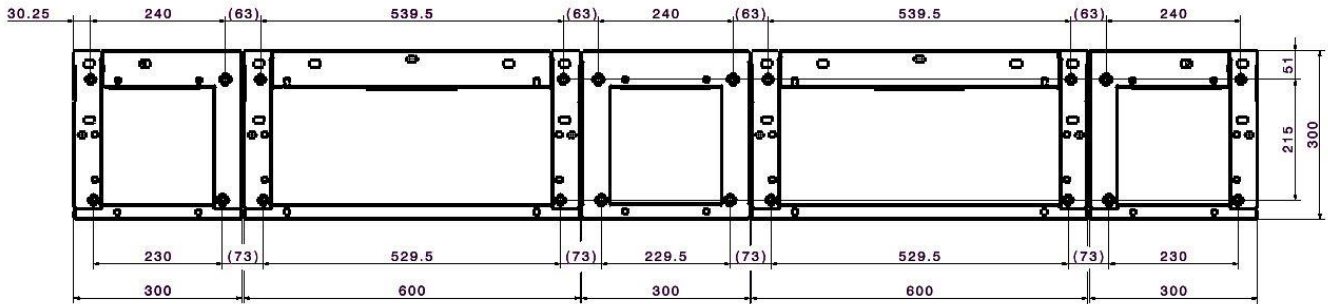


**Step 6**



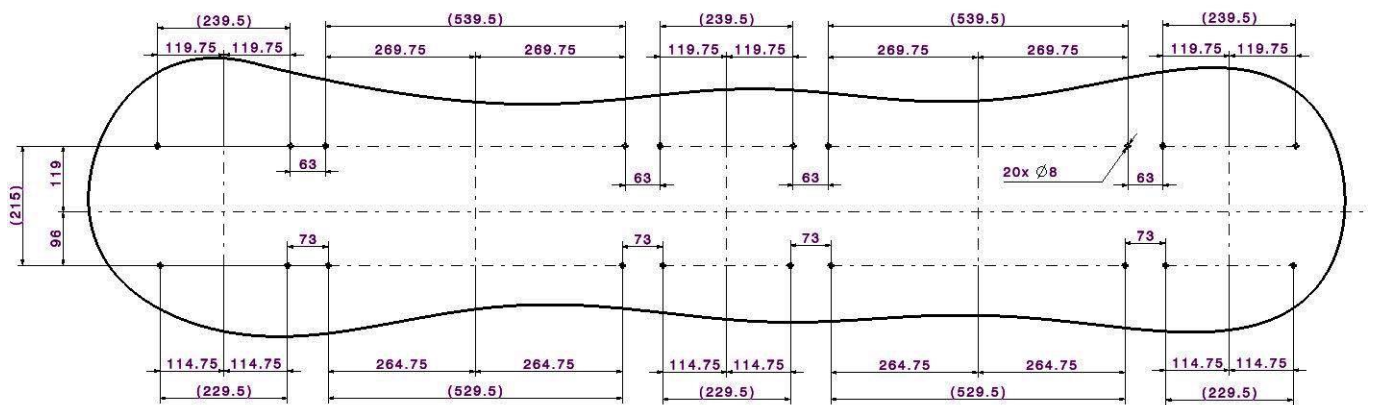
**MOUNTING OF NGR 2100 ON A FIXED FLOOR – CONCRETE FIXATION – 84091849**

Step 1



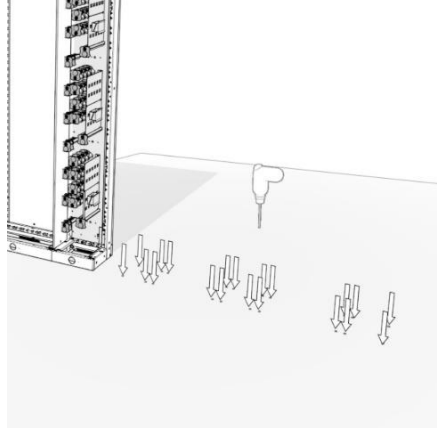
Frame dimensions

Step 2

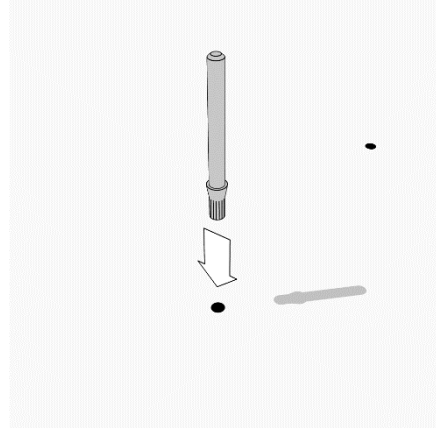


Hole pattern

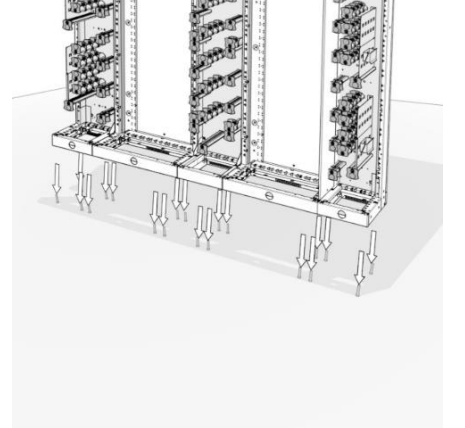
Step 3



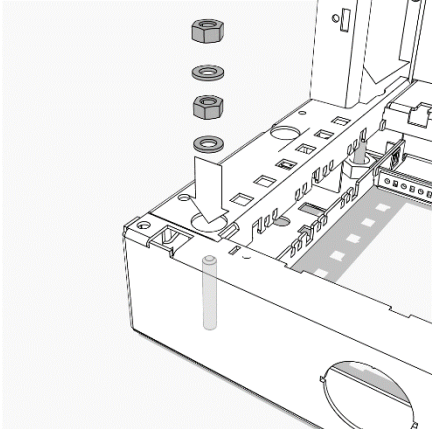
Step 4



Step 5

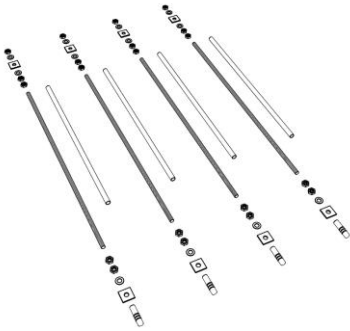


Step 6

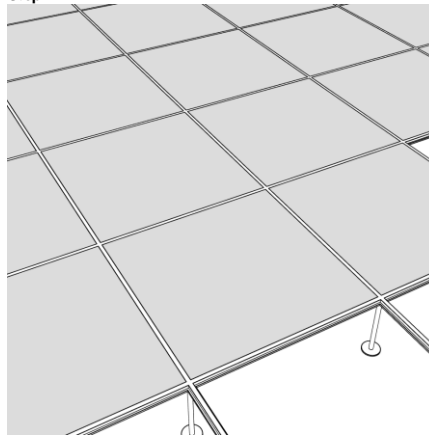


**MOUNTING OF NGR 300 ON A RAISED FLOOR – 84081125**

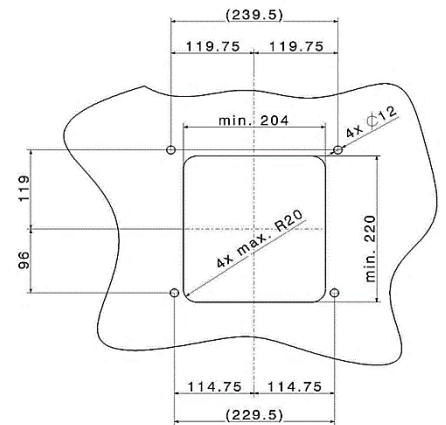
Step 1



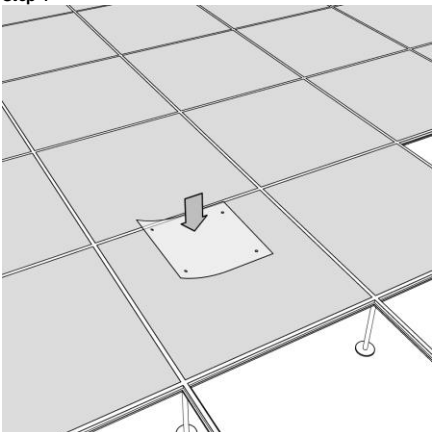
Step 2



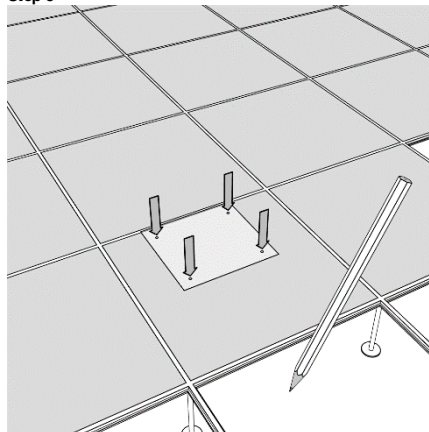
Step 3



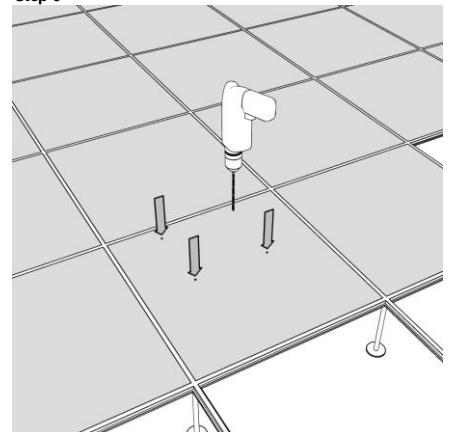
Step 4



Step 5

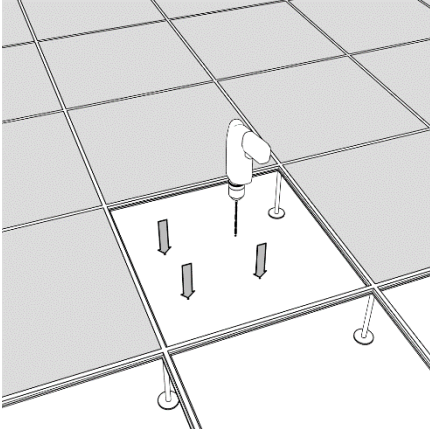


Step 6

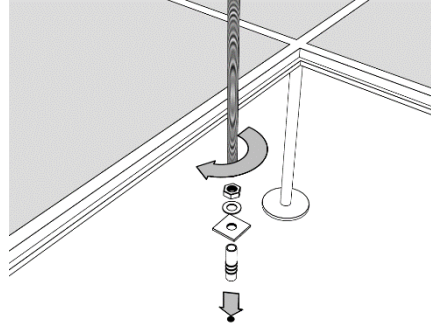




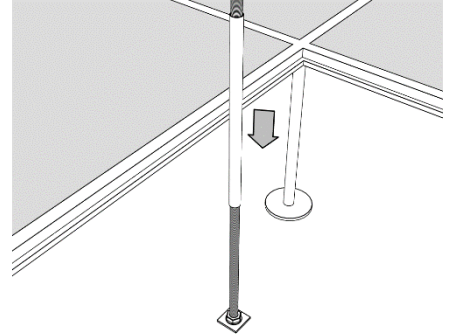
Step 7



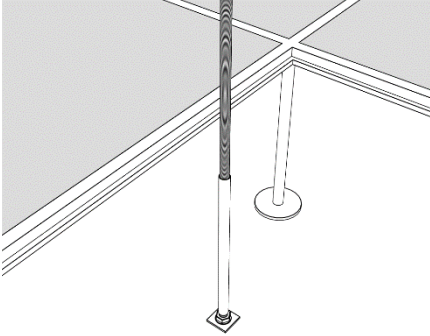
Step 8



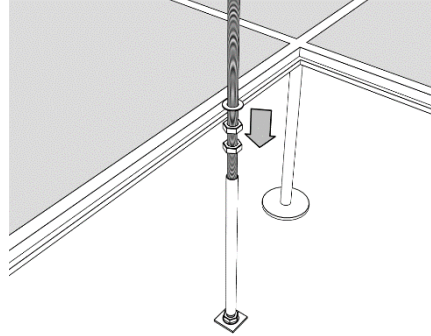
Step 9



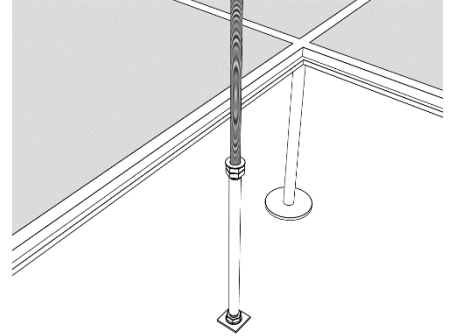
Step 10



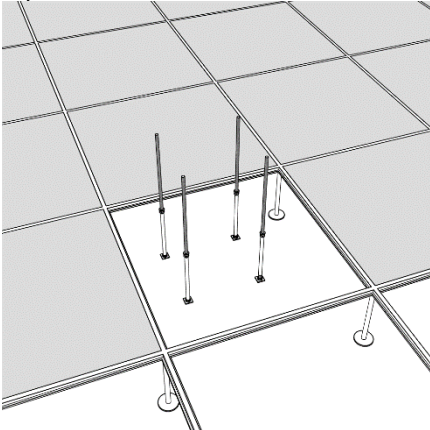
Step 11



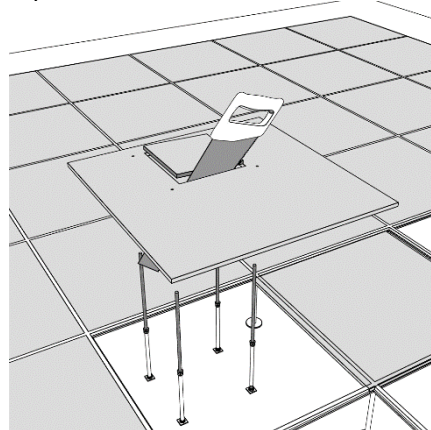
Step 12



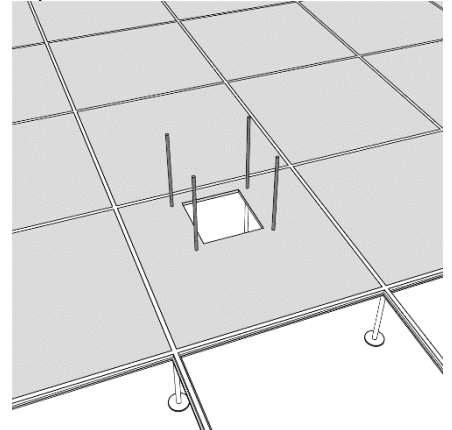
Step 13



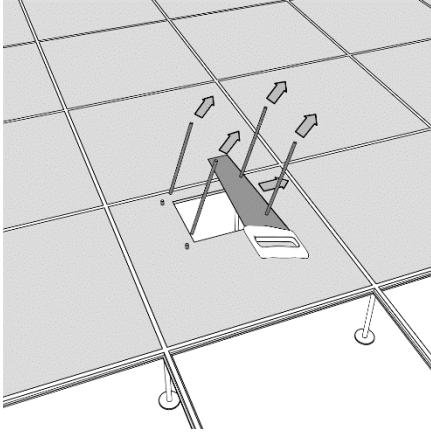
Step 14



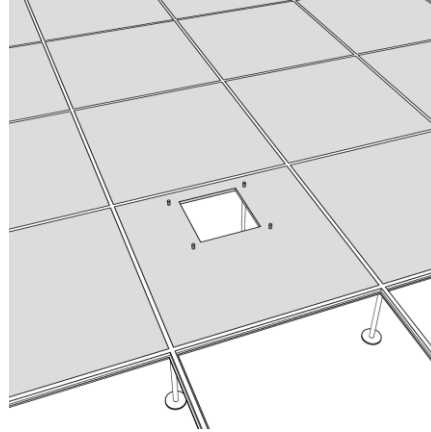
Step 15



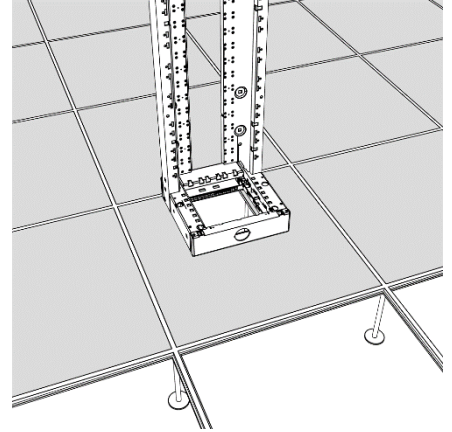
Step 16



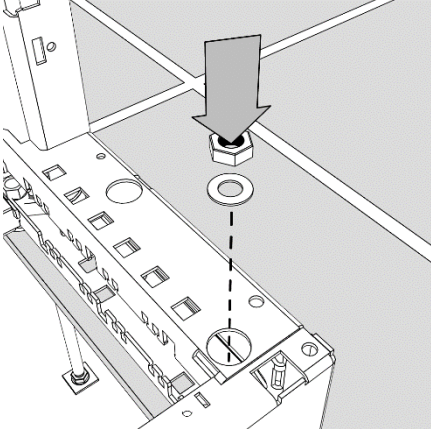
Step 17



Step 18

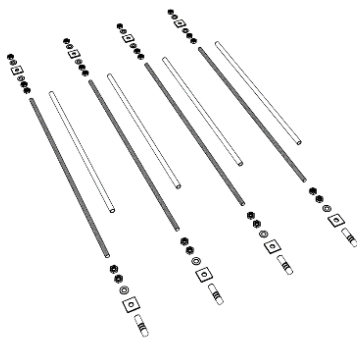


Step 19

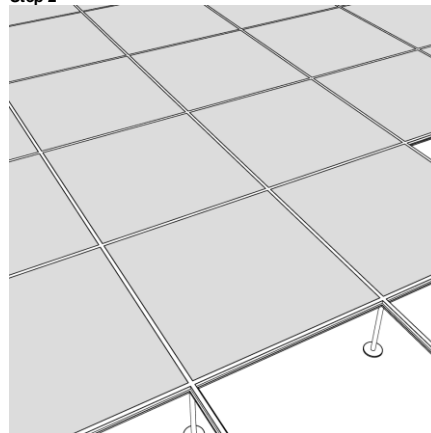


### MOUNTING OF NGR 600 ON A RAISED FLOOR – 84081125

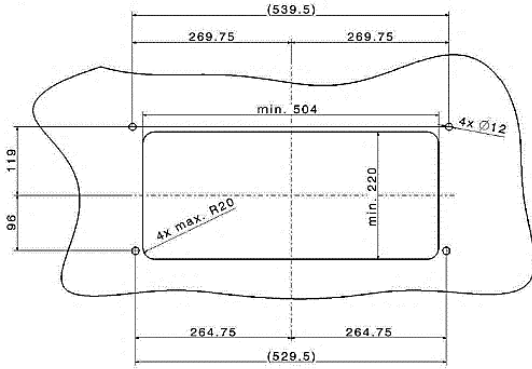
Step 1



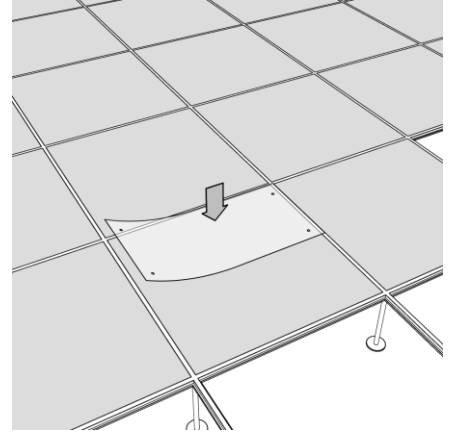
Step 2



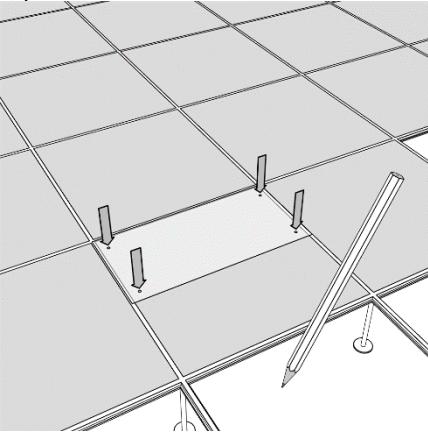
Step 3



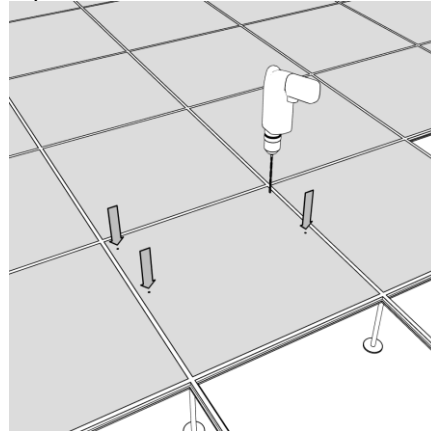
Step 4



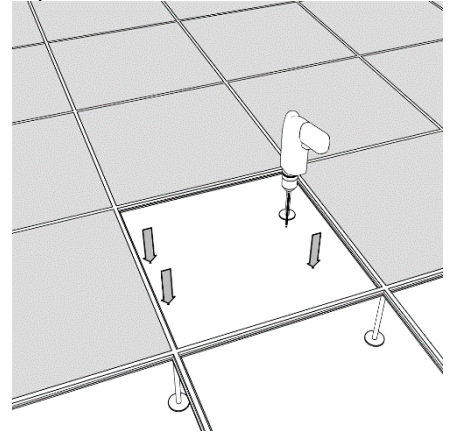
Step 5



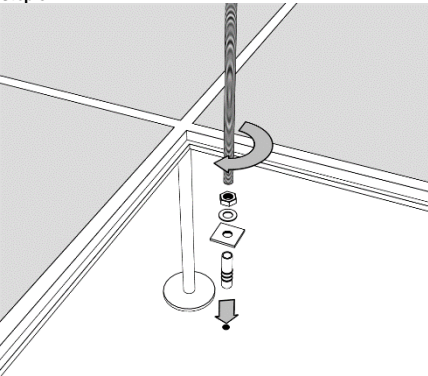
Step 6



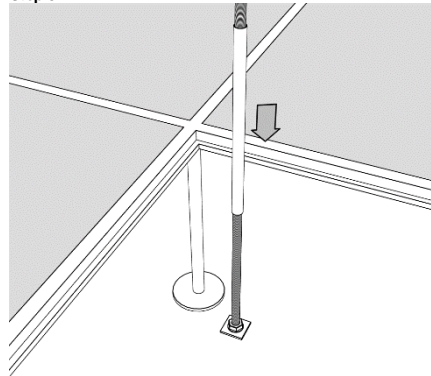
Step 7



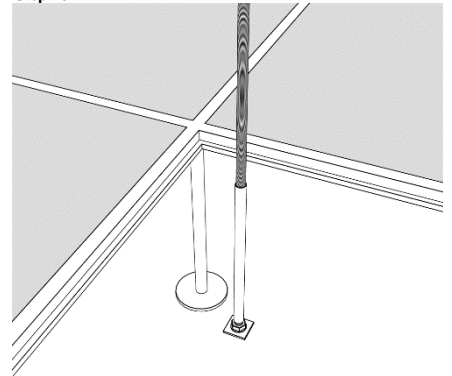
Step 8



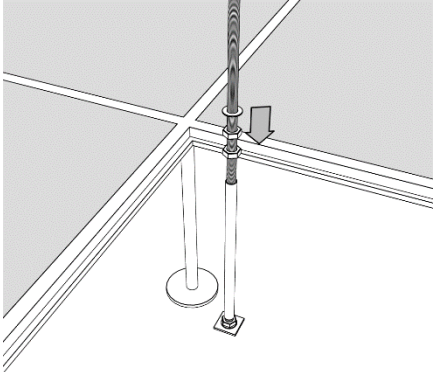
Step 9



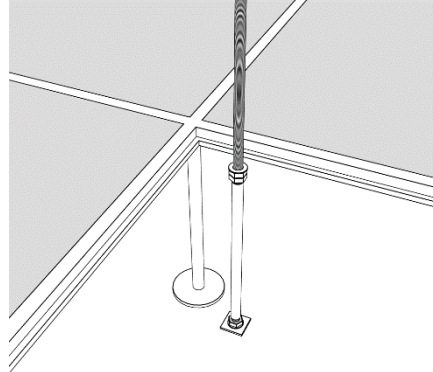
Step 10



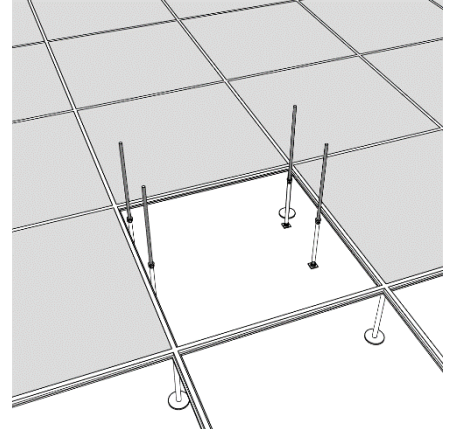
Step 11



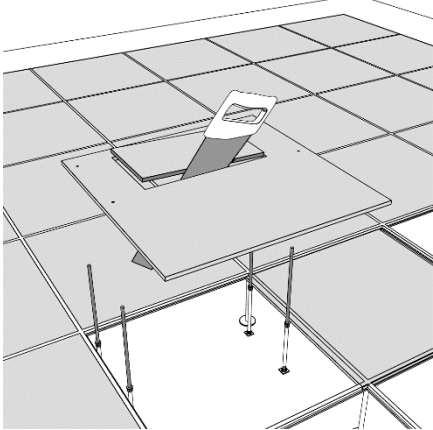
Step 12



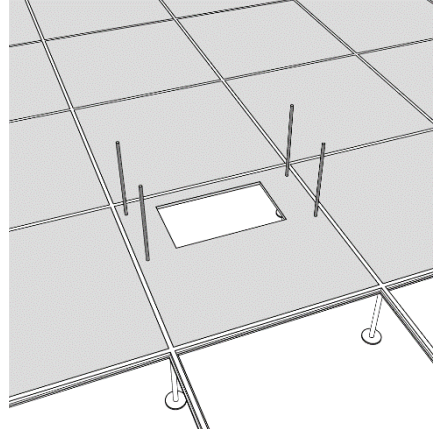
Step 13



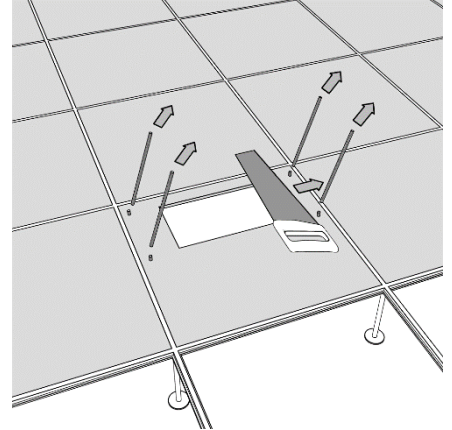
Step 14



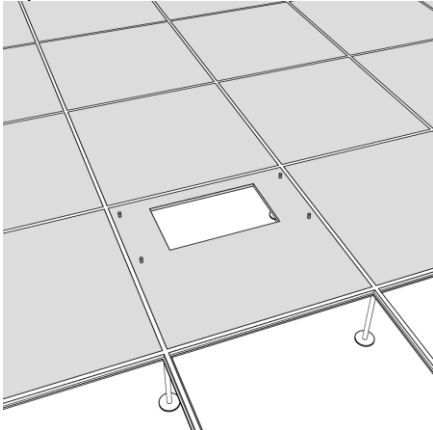
Step 15



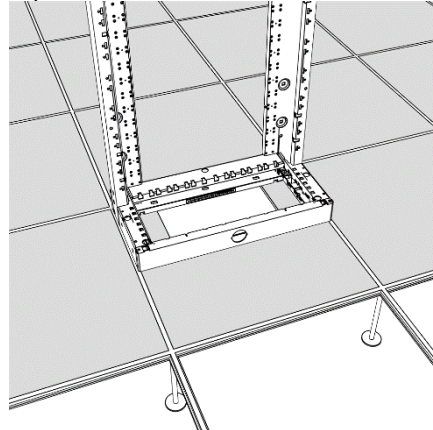
Step 16



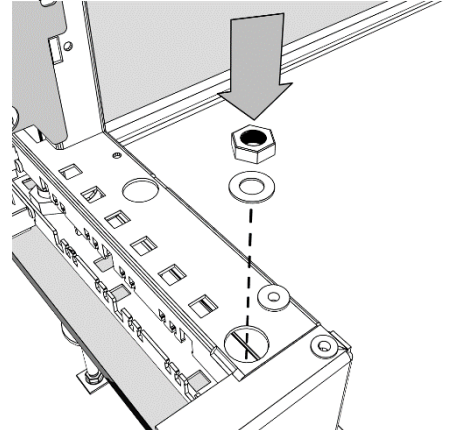
Step 17



Step 18

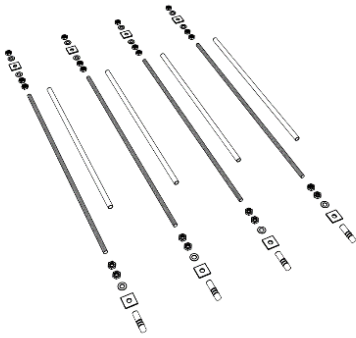


Step 19

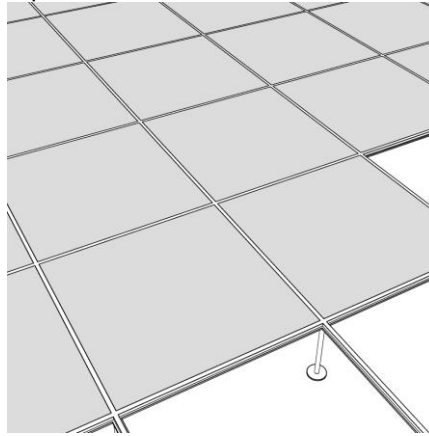


### MOUNTING OF NGR 900 ON A RAISED FLOOR – 84081125

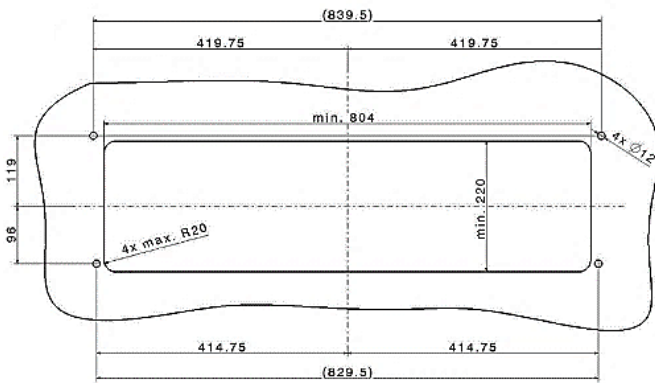
Step 1



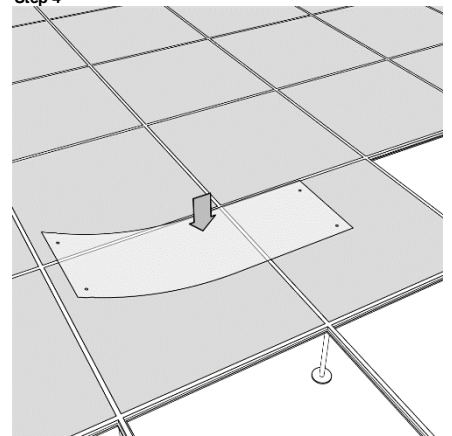
Step 2



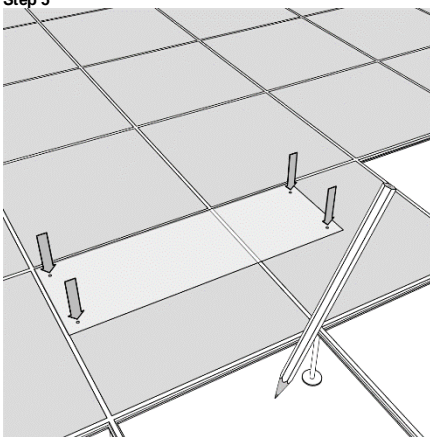
Step 3



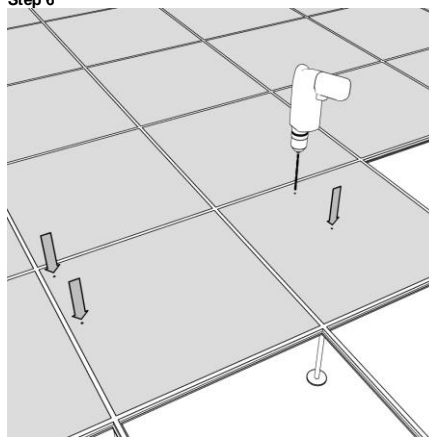
Step 4



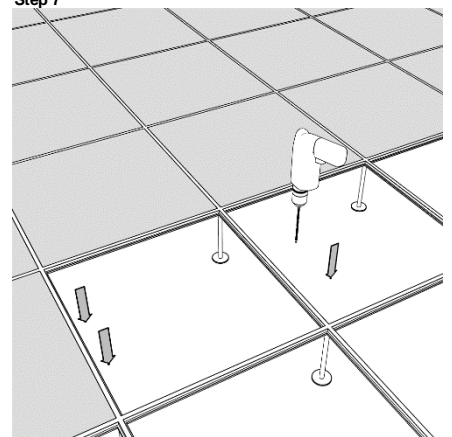
Step 5

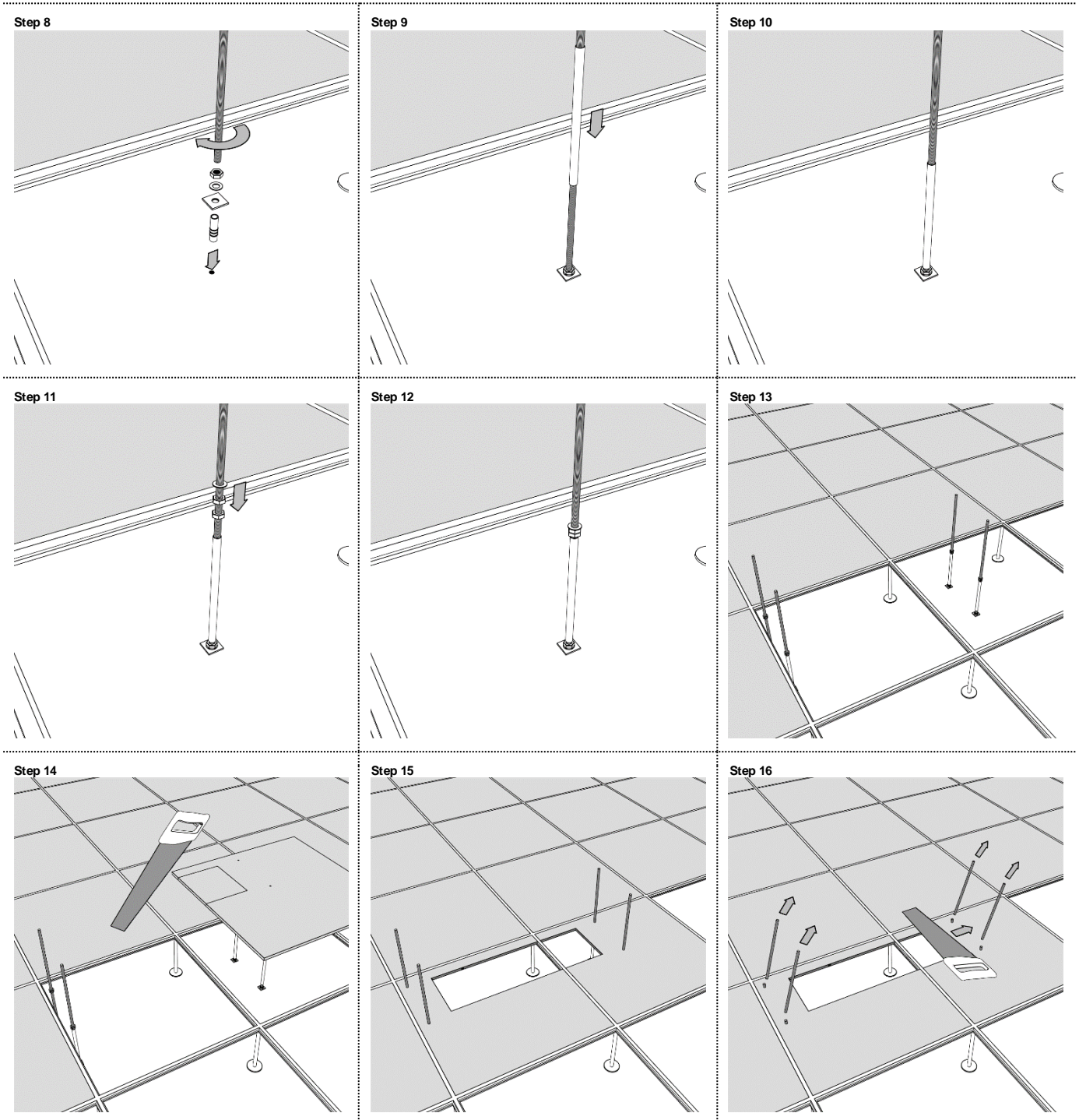


Step 6

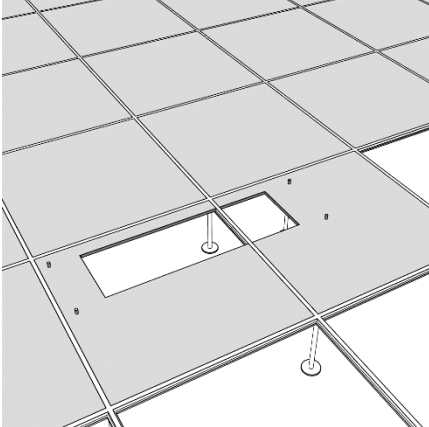


Step 7

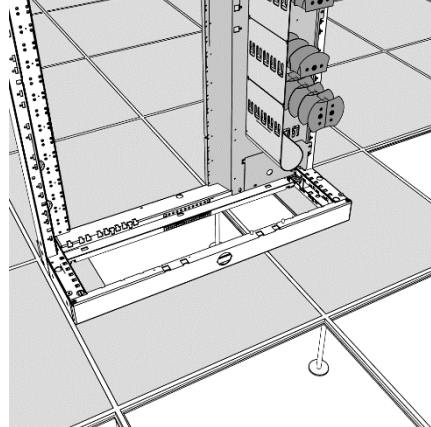




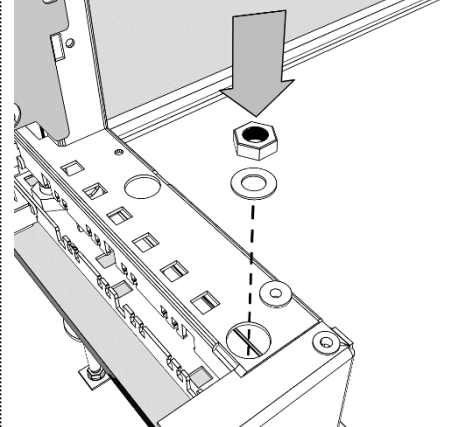
Step 17



Step 18



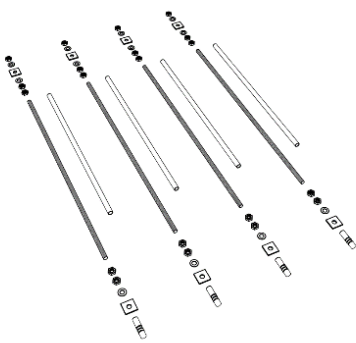
Step 19



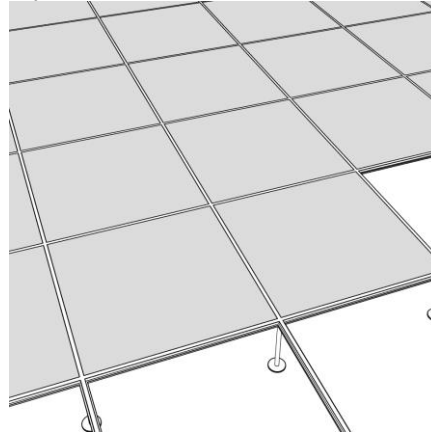
**MOUNTING OF NGR 1200 ON A RAISED FLOOR – 84081125**

Step 1

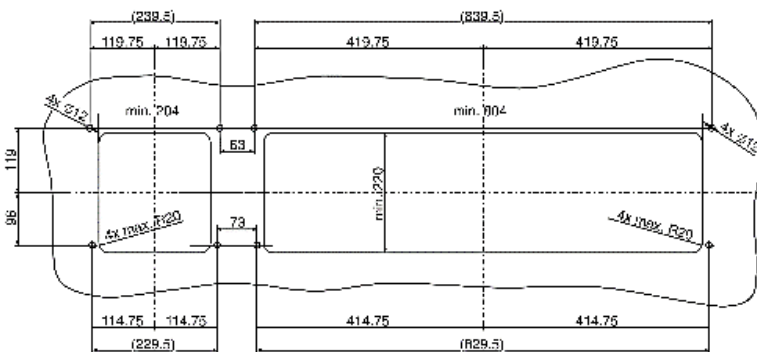
2 sets of fastening kit



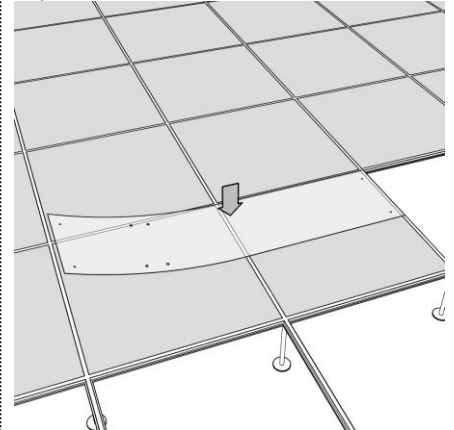
Step 2



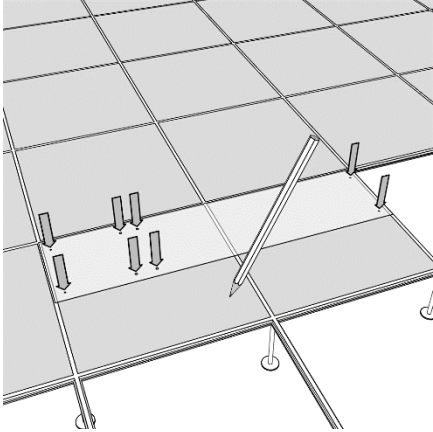
Step 3



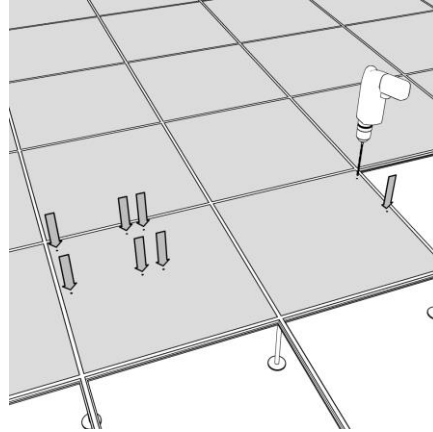
Step 4



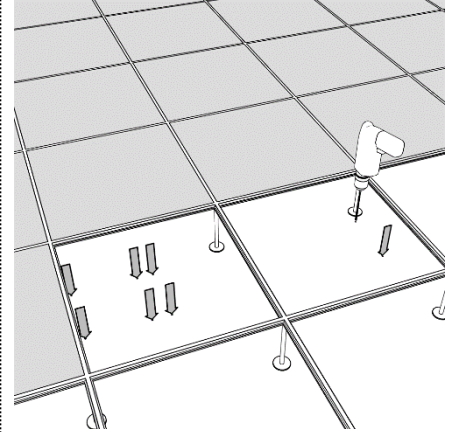
Step 5



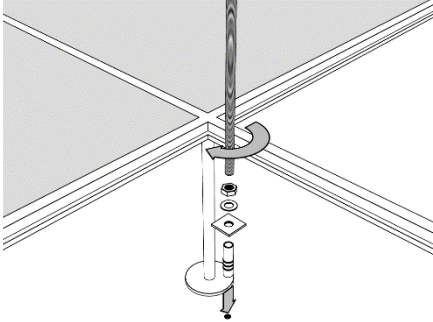
Step 6



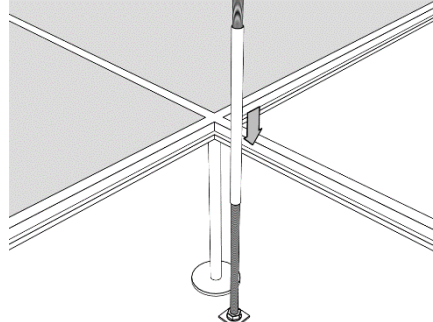
Step 7



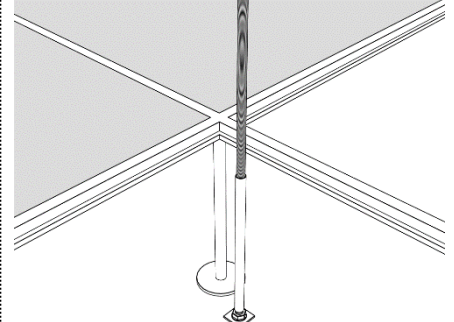
Step 8



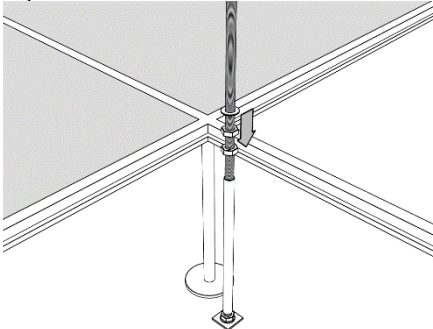
Step 9



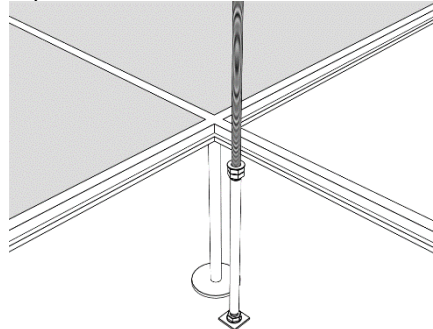
Step 10



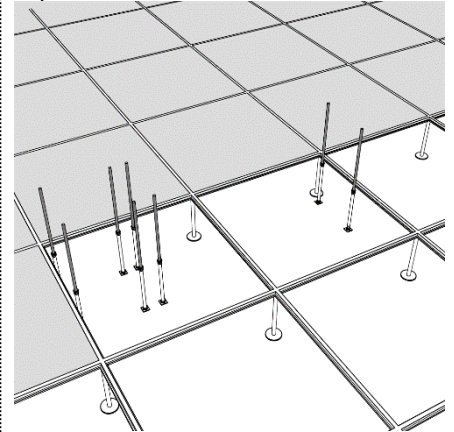
Step 11



Step 12

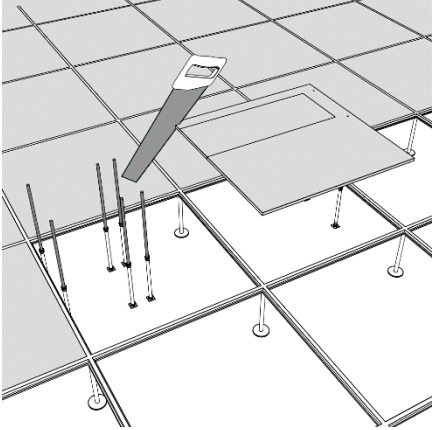


Step 13

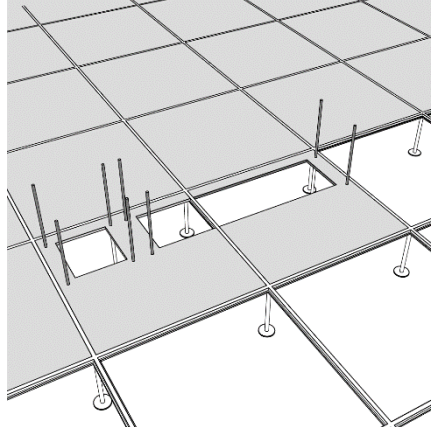




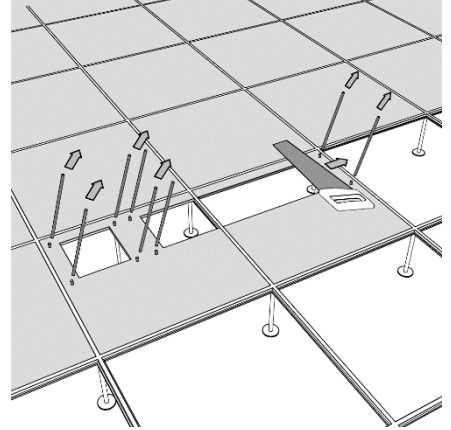
Step 14



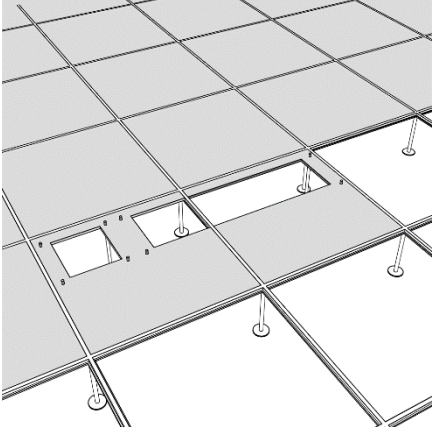
Step 15



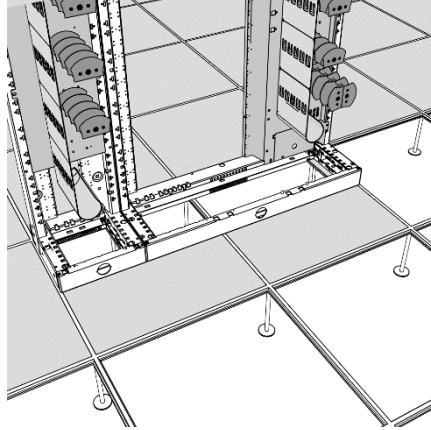
Step 16



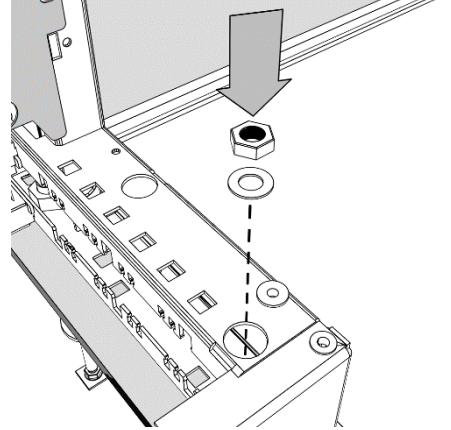
Step 17



Step 18



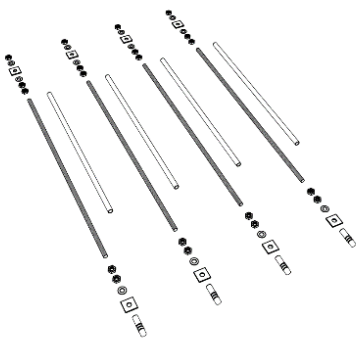
Step 19



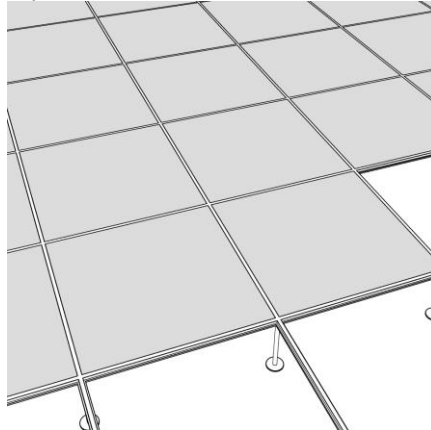
### MOUNTING OF NGR 1500 ON A RAISED FLOOR – 84081125

Step 1

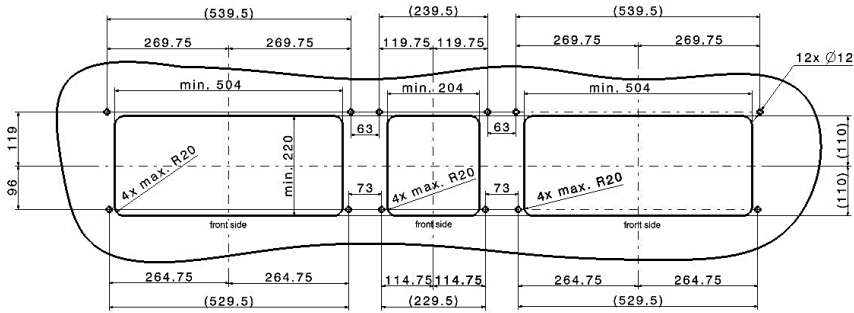
3 sets of fastening kit



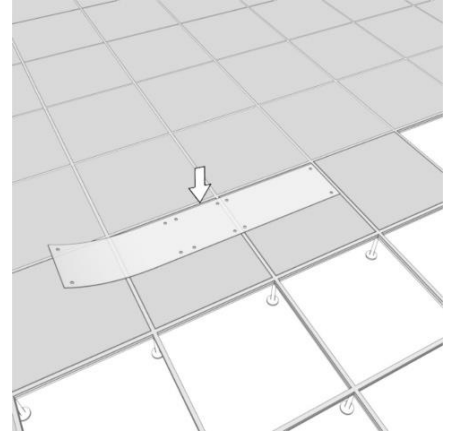
Step 2



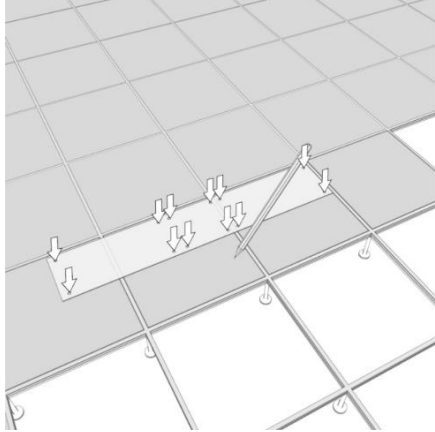
Step 3



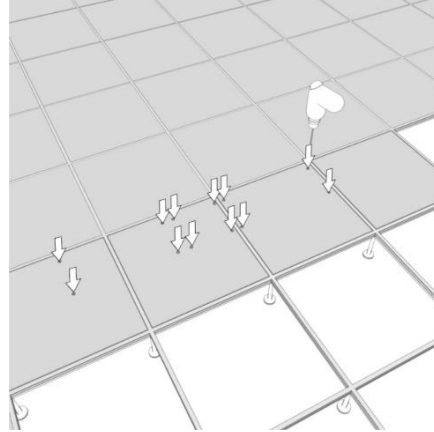
Step 4



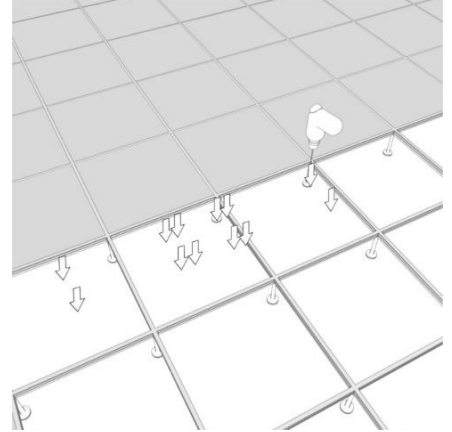
Step 5



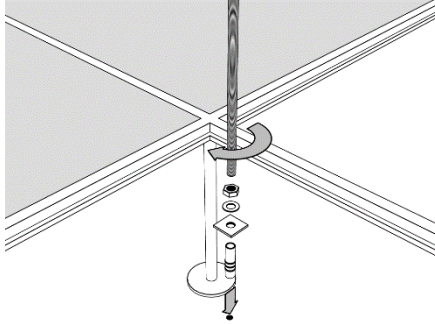
Step 6



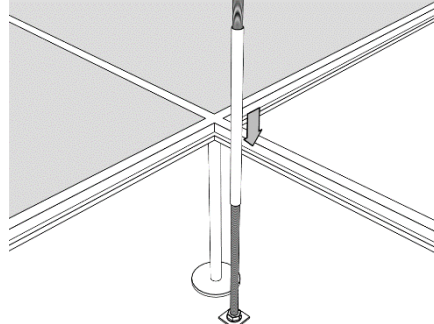
Step 7



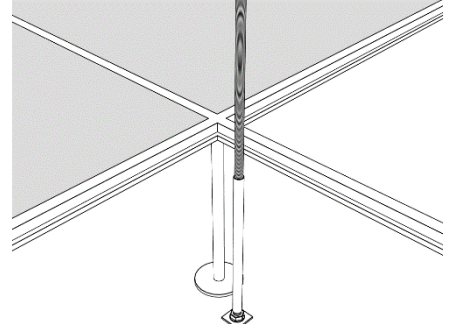
Step 8



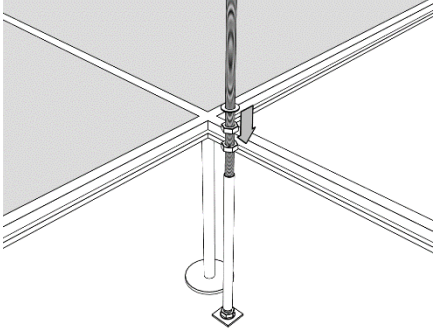
Step 9



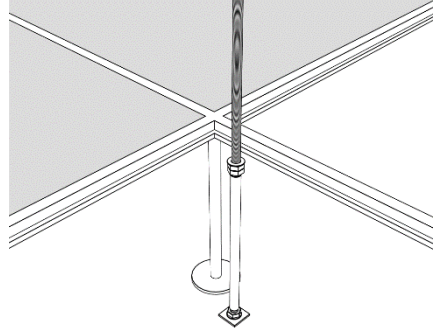
Step 10



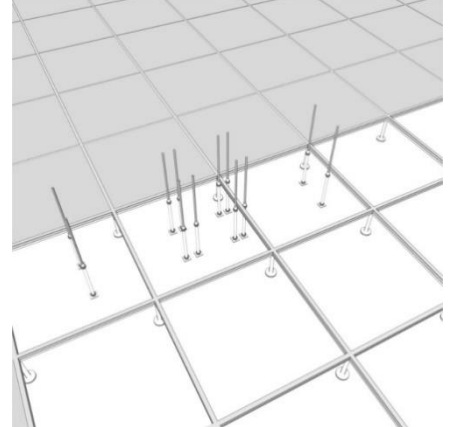
Step 11



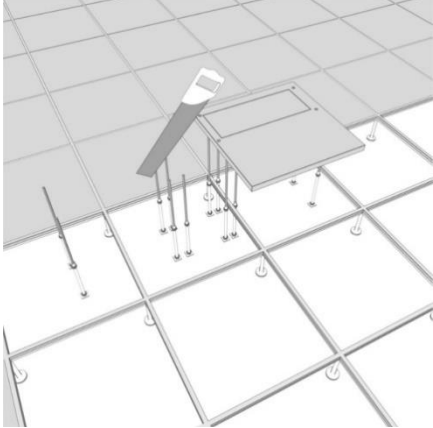
Step 12



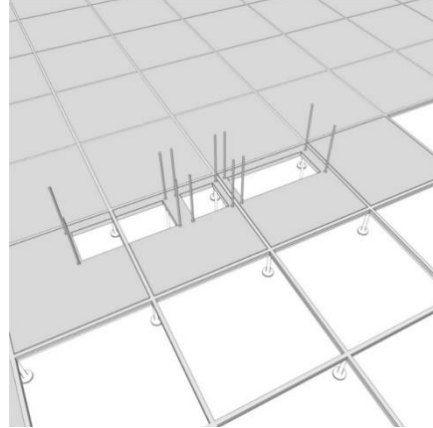
Step 13



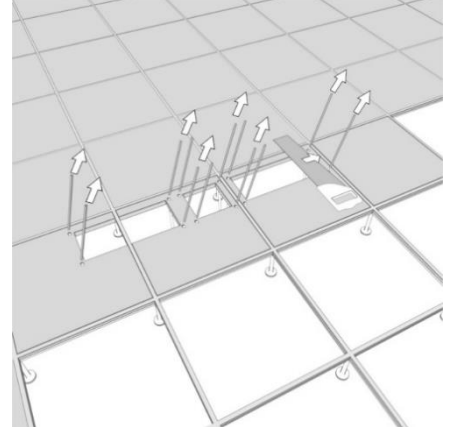
Step 14



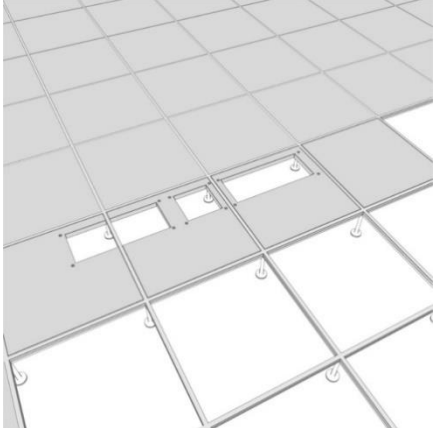
Step 15



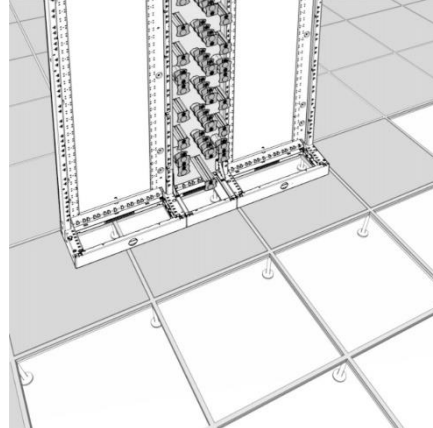
Step 16



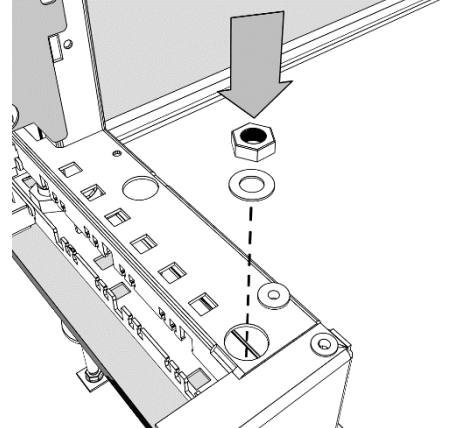
Step 17



Step 18



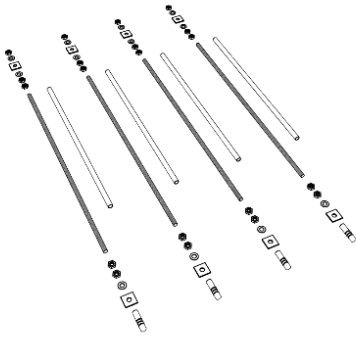
Step 19



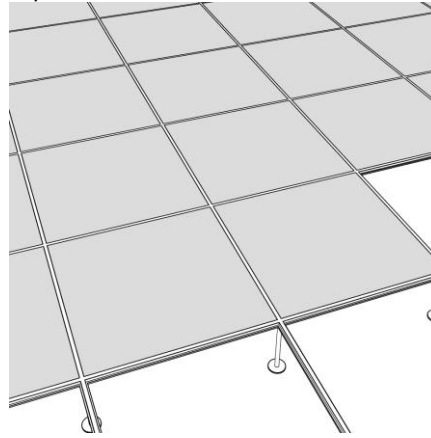
**MOUNTING OF NGR 1800 ON A RAISED FLOOR – 84081125**

Step 1

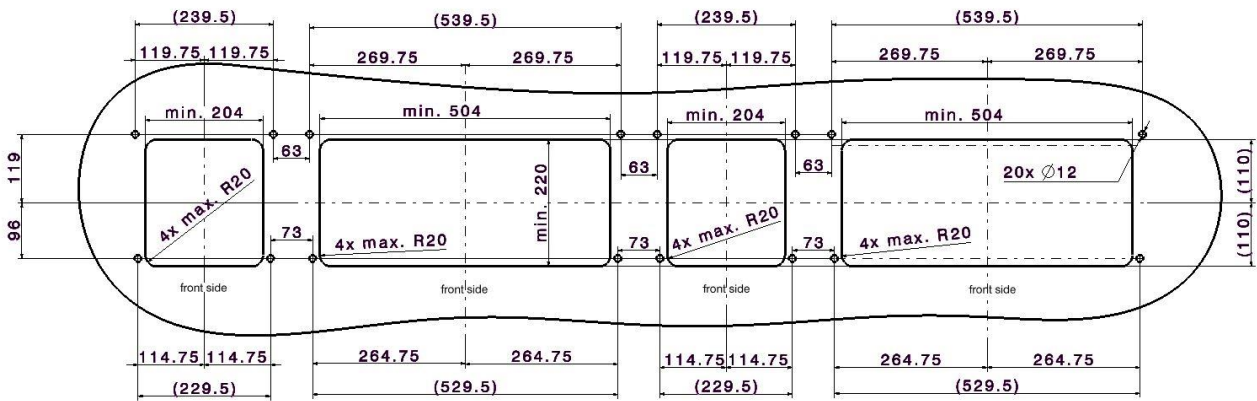
4 sets of fastening kit



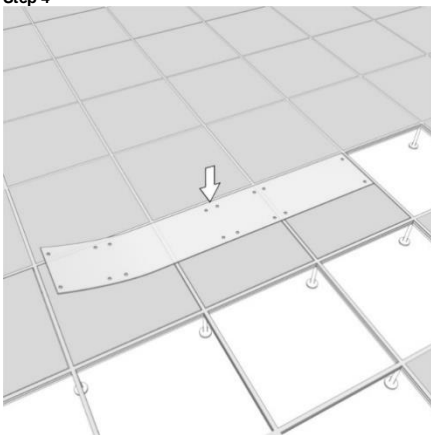
Step 2



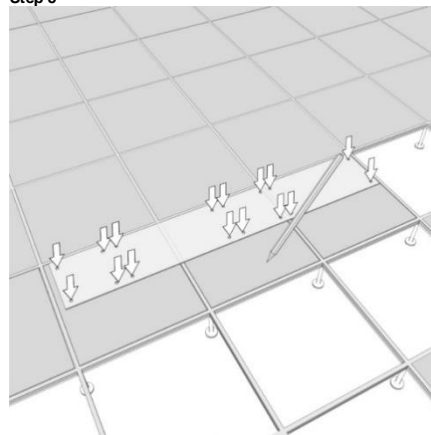
Step 3



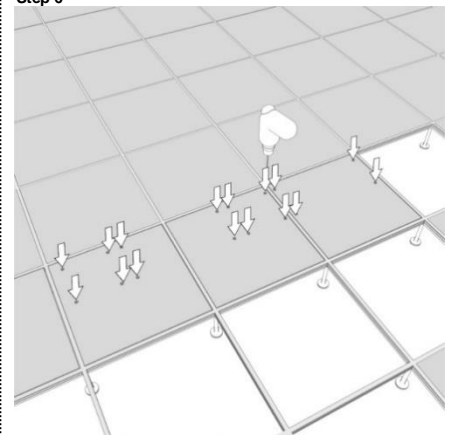
Step 4



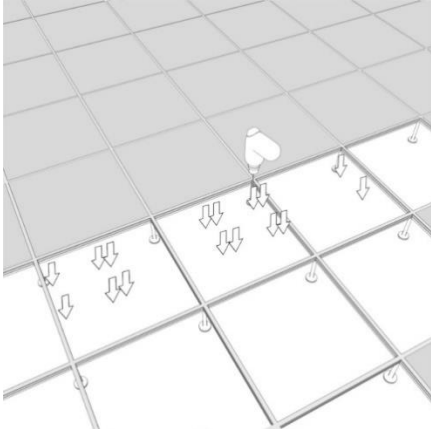
Step 5



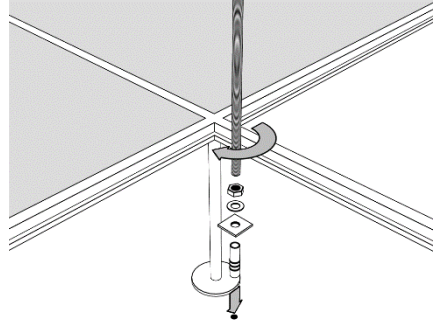
Step 6



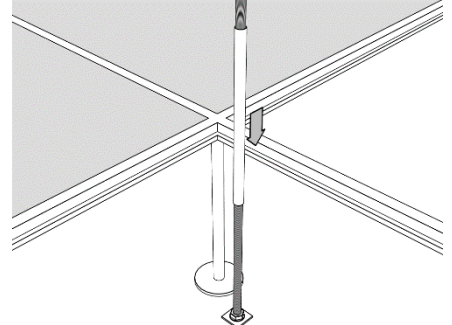
Step 7



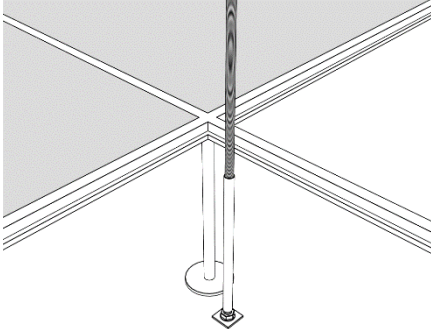
Step 8



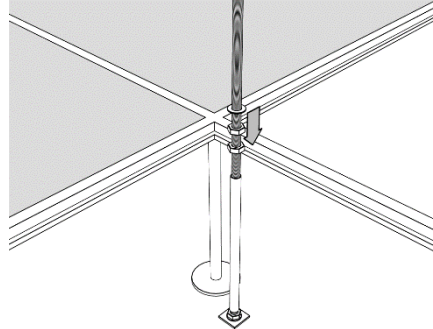
Step 9



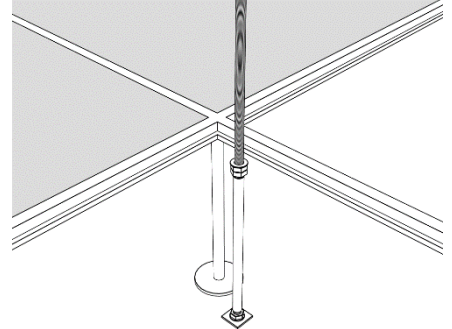
Step 10



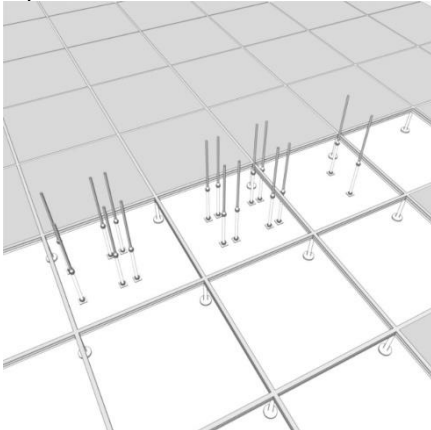
Step 11



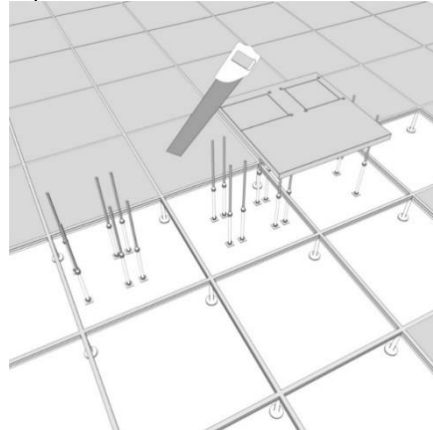
Step 12



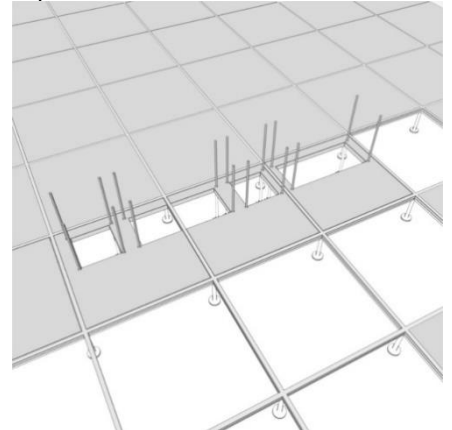
Step 13



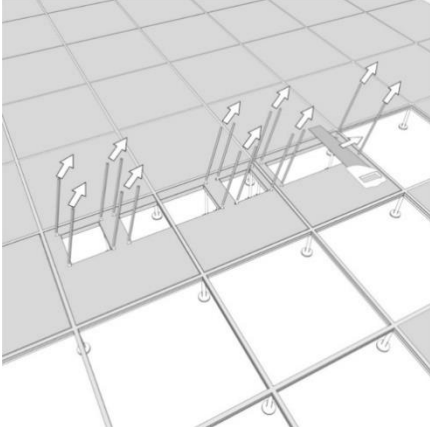
Step 14



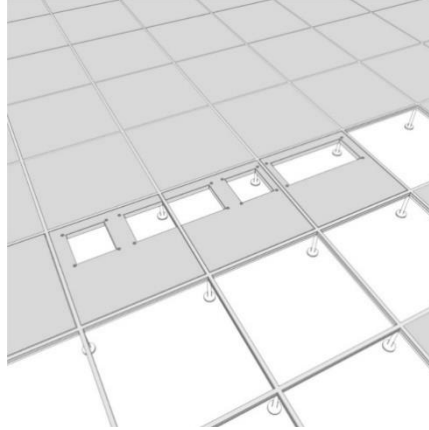
Step 15



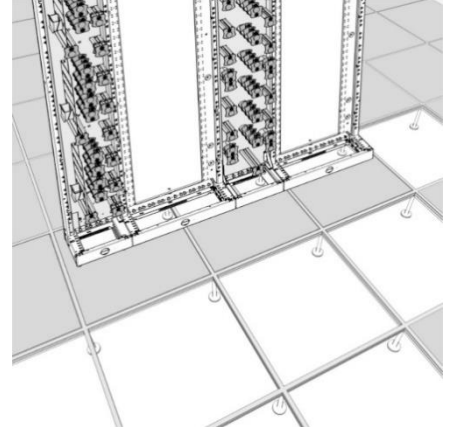
Step 16



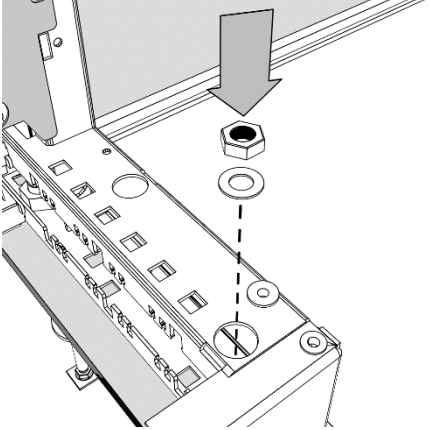
Step 17



Step 18



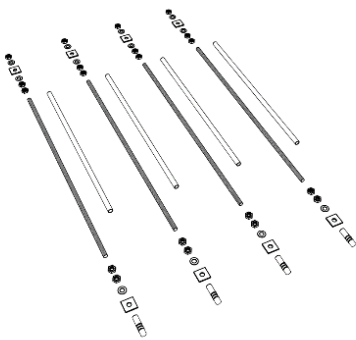
Step 19



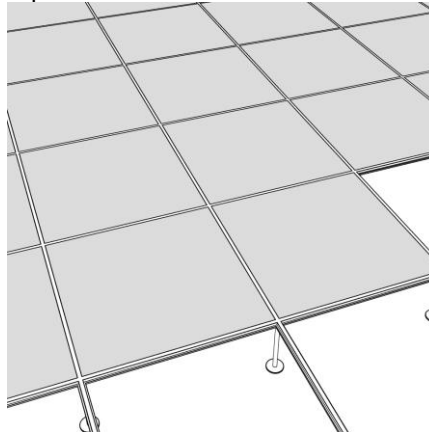
### MOUNTING OF NGR 2100 ON A RAISED FLOOR – 84081125

Step 1

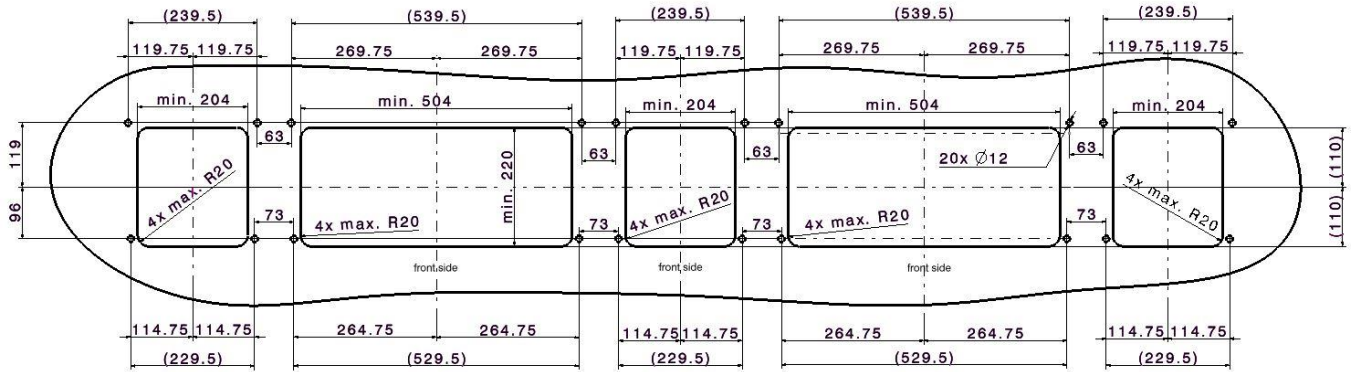
5 sets of fastening kit



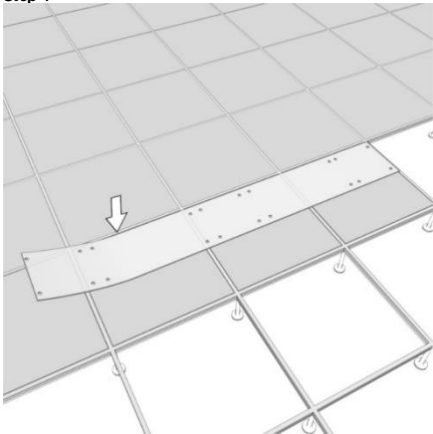
Step 2



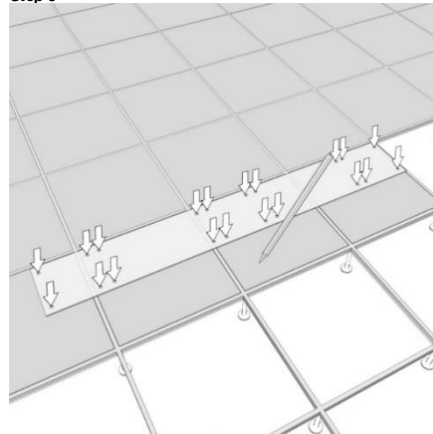
**Step 3**



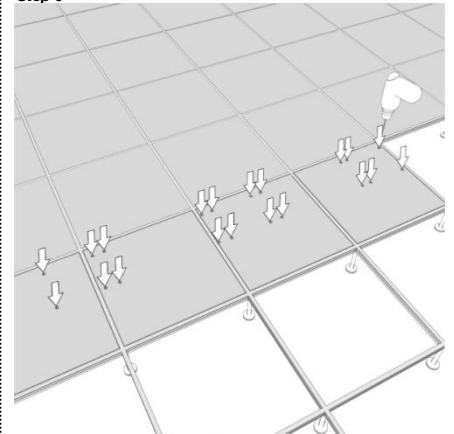
**Step 4**



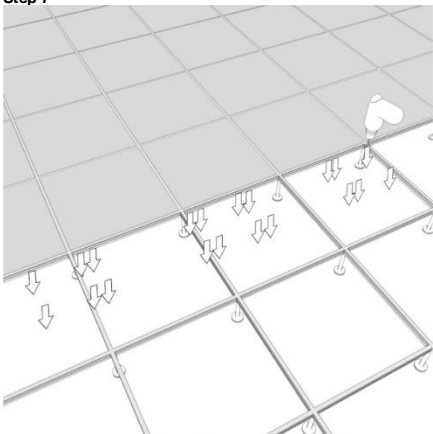
**Step 5**



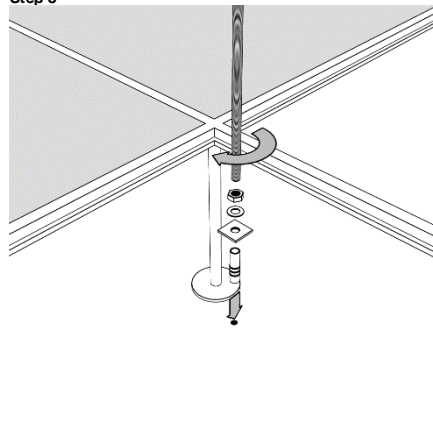
**Step 6**



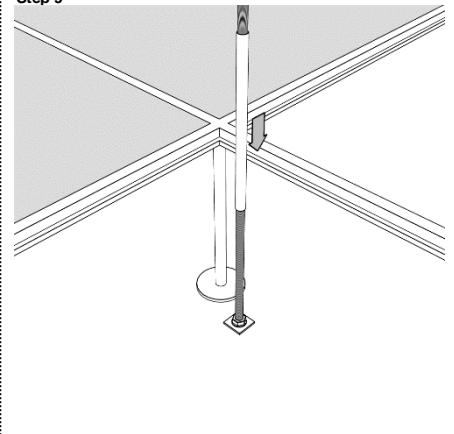
**Step 7**



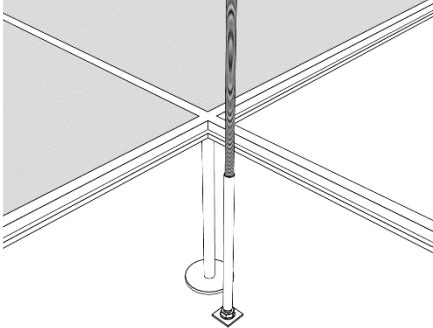
**Step 8**



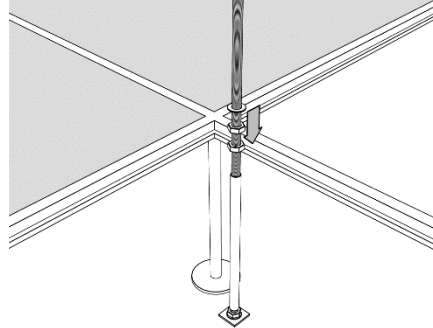
**Step 9**



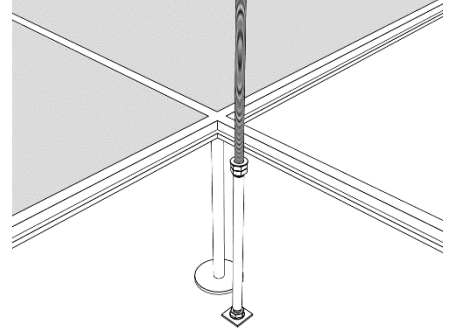
Step 10



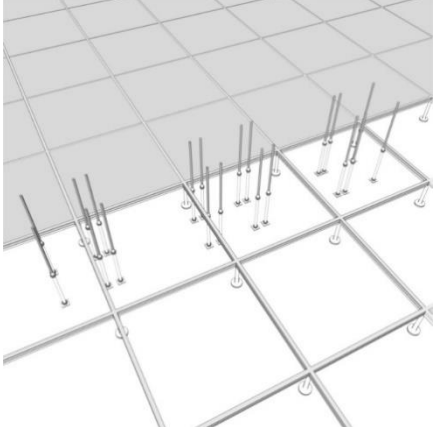
Step 11



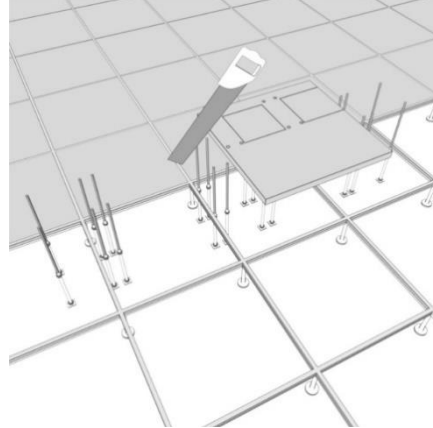
Step 12



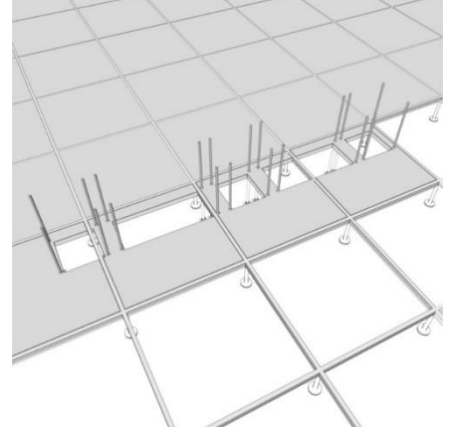
Step 13



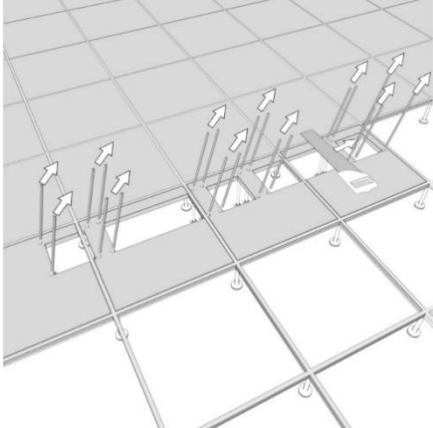
Step 14



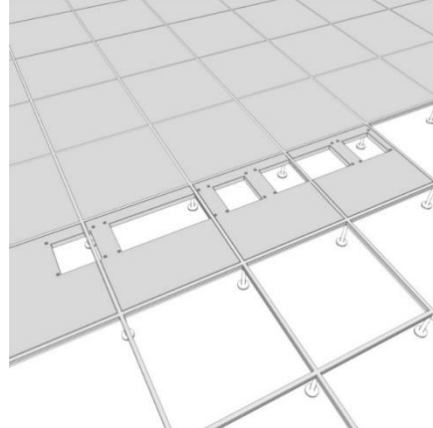
Step 15



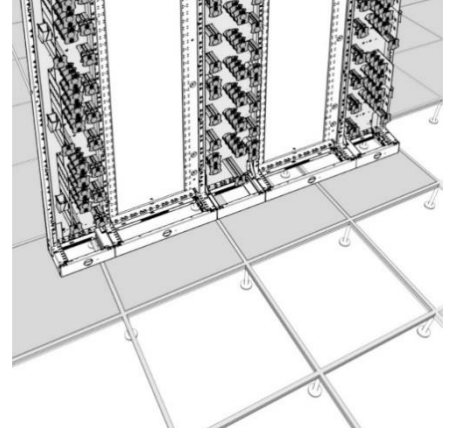
Step 16



Step 17

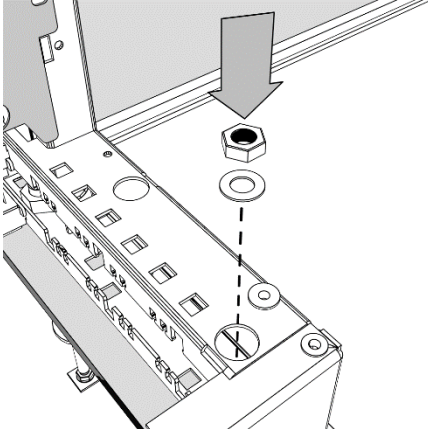


Step 18



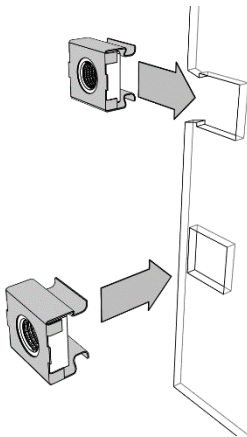


Step 19

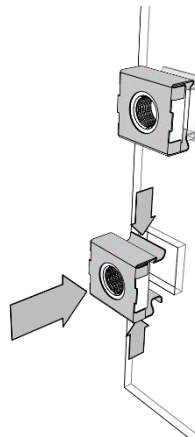


### MOUNTING OF CAGE NUT

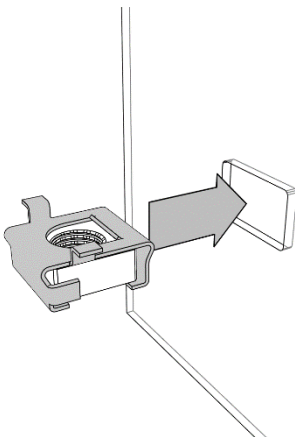
Step 1



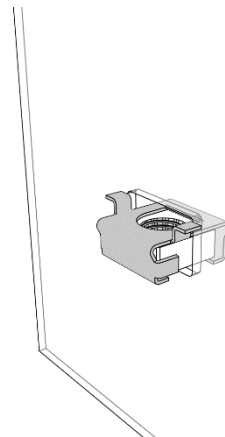
Step 2



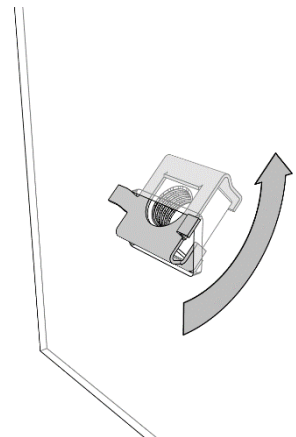
Step 3



Step 4

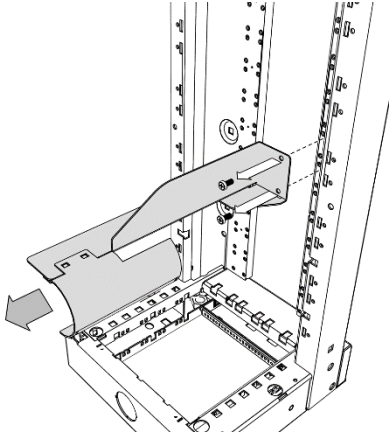


Step 5

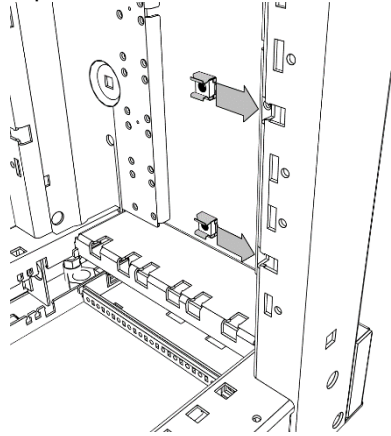


### MOUNTING OF NGR 300 PATCH CORD ROUTING CHANNEL

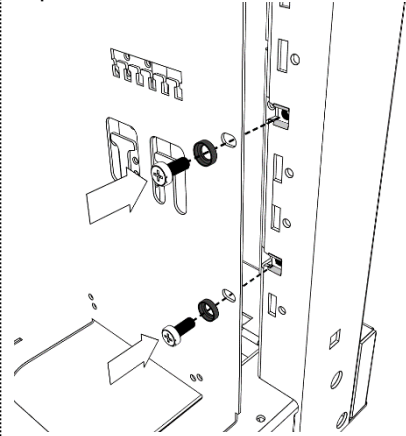
Step 1



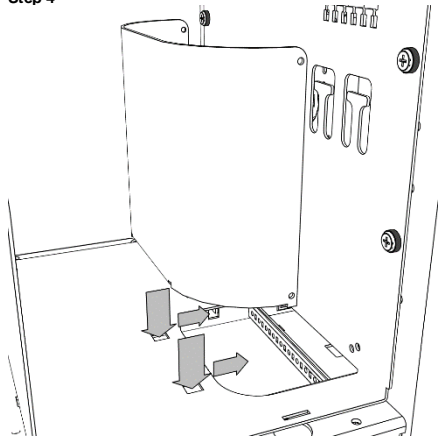
Step 2



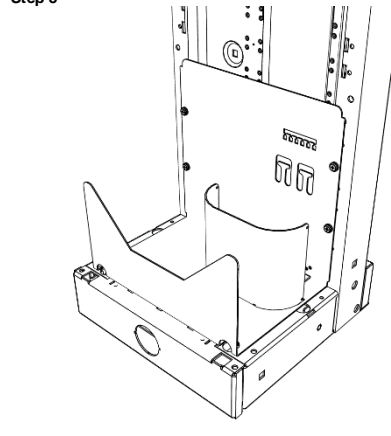
Step 3



Step 4

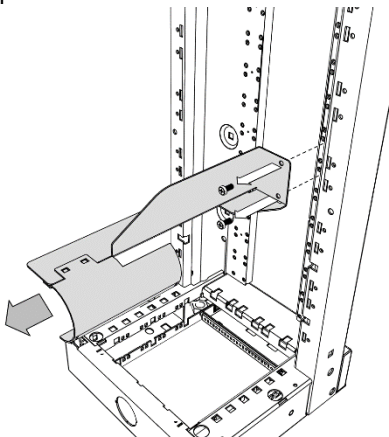


Step 5

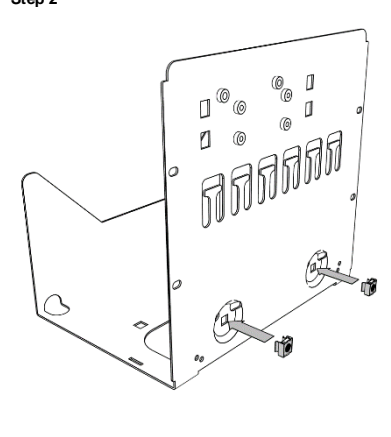


### MOUNTING OF NGR 300 PATCH CORD ROUTING CHANNEL WITH ADDITIONAL BREAKOUT PLATE

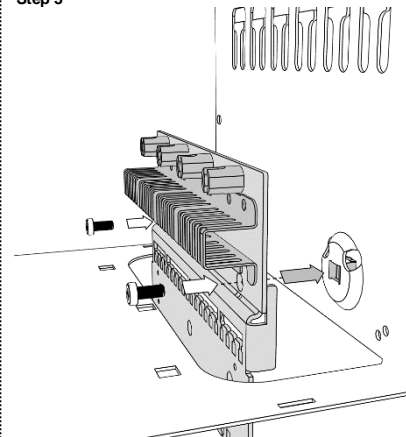
Step 1

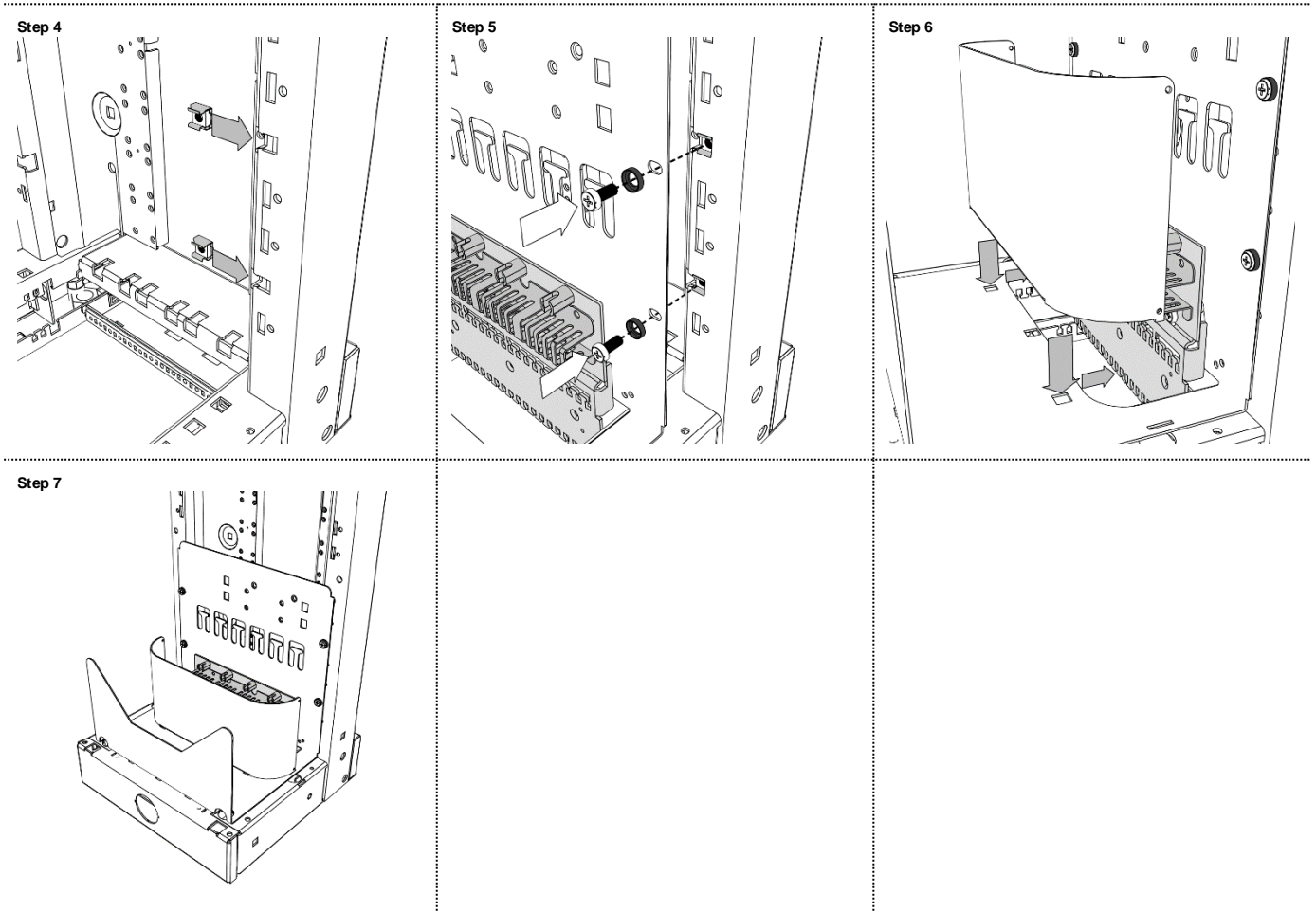


Step 2

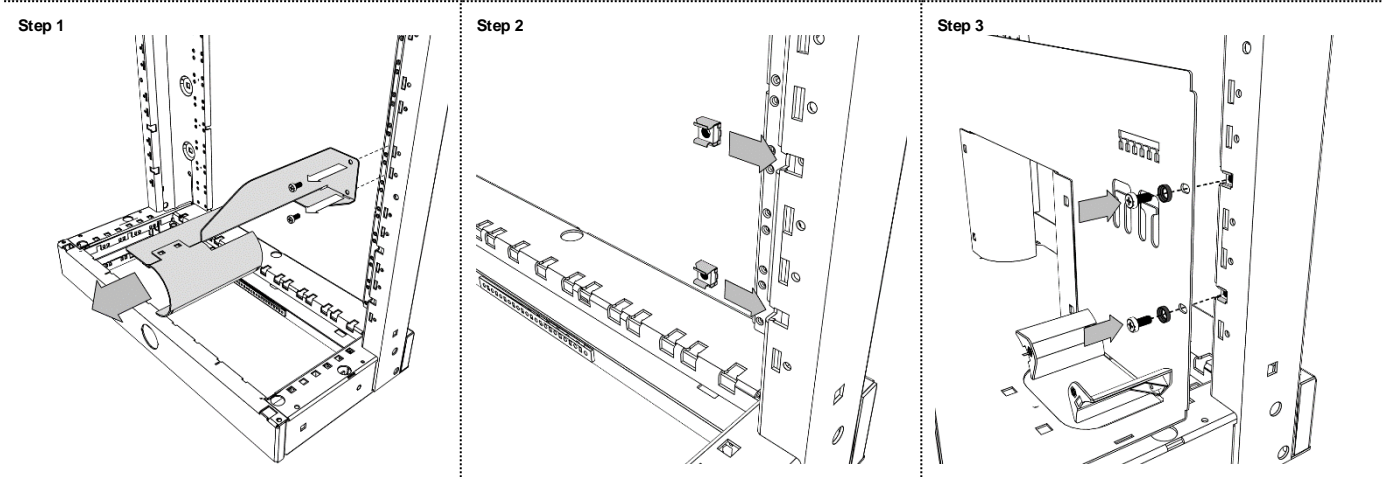


Step 3

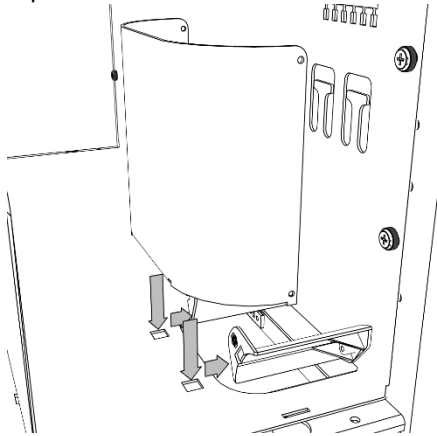




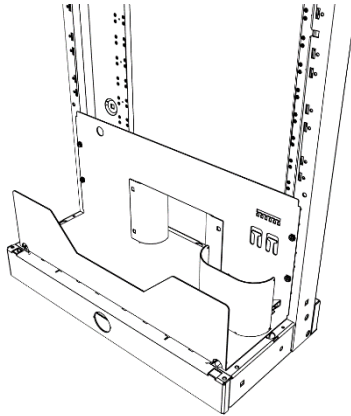
### MOUNTING OF NGR 600 PATCH CORD ROUTING CHANNEL



Step 4

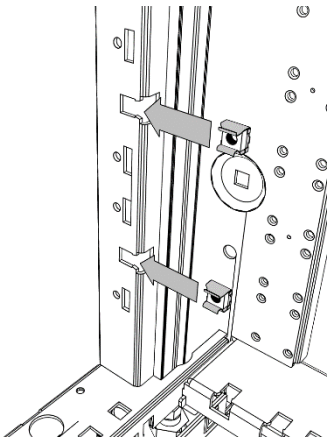


Step 5

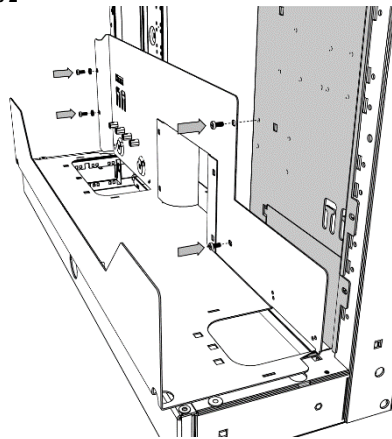


### MOUNTING OF NGR 900 PATCH CORD ROUTING CHANNEL

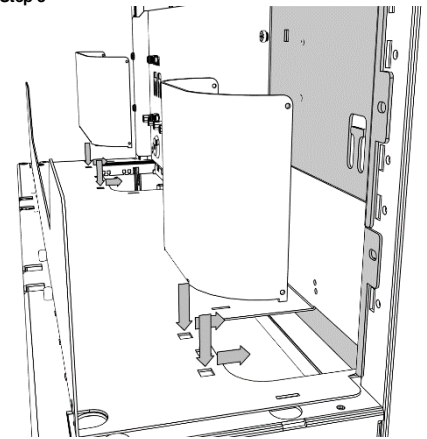
Step 1



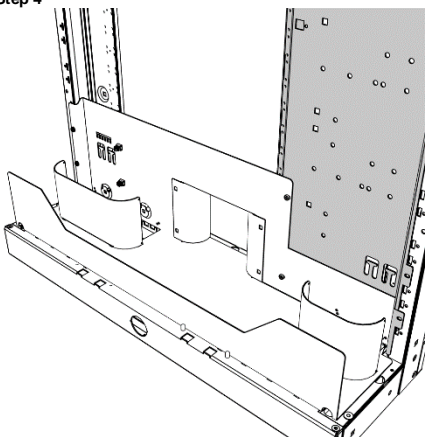
Step 2



Step 3

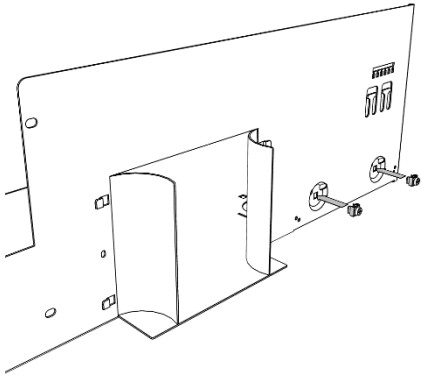


Step 4

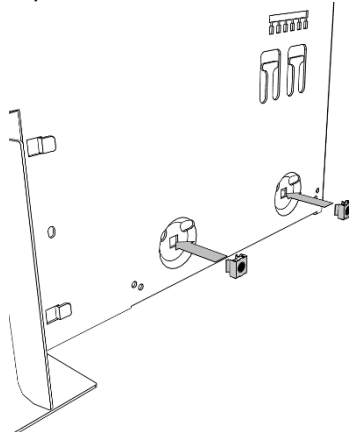


### MOUNTING OF NGR 900 PATCH CORD ROUTING CHANNEL WITH ADDITIONAL BREAKOUT PLATE

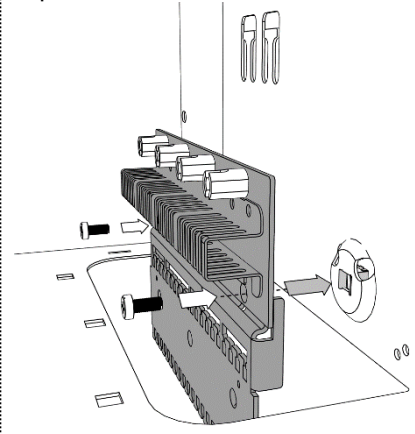
Step 1



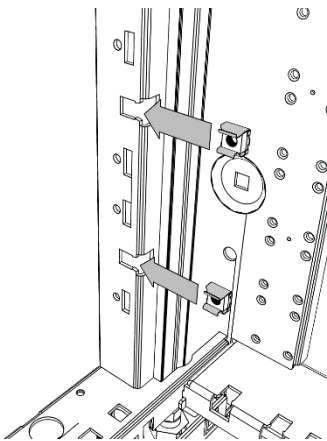
Step 2



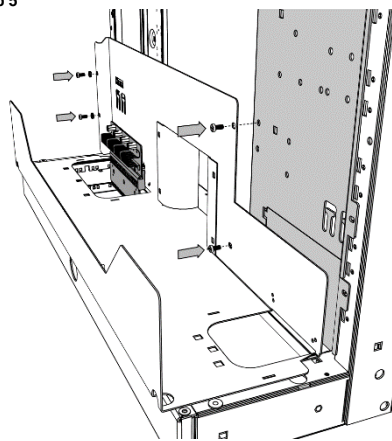
Step 3



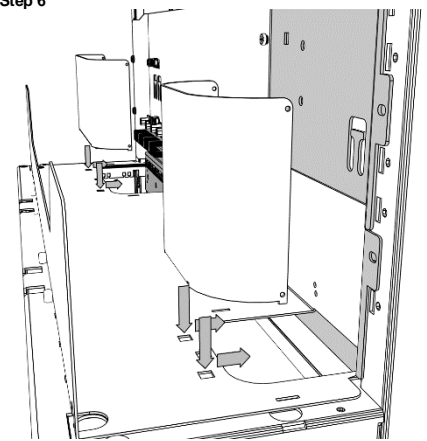
Step 4



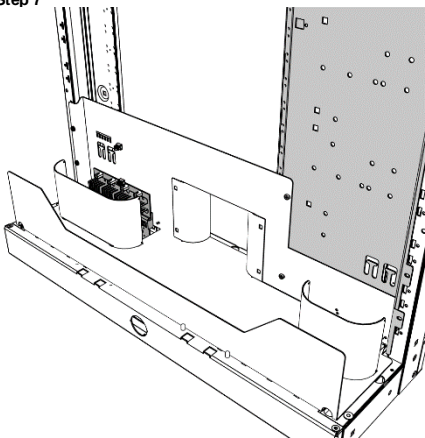
Step 5



Step 6

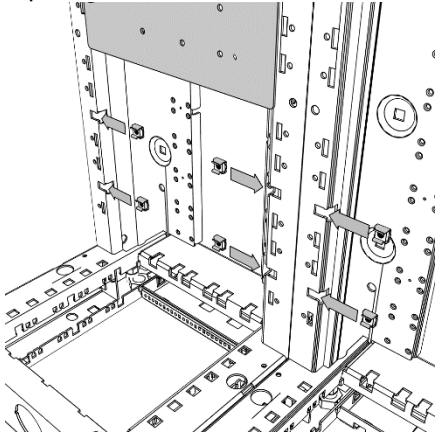


Step 7

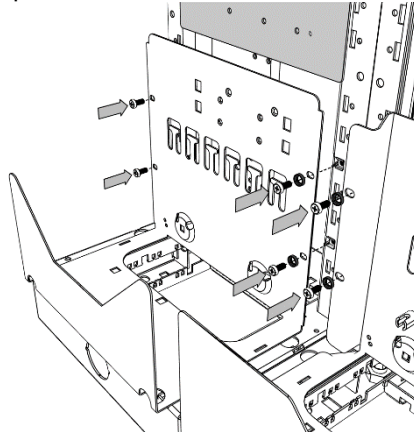


### MOUNTING OF NGR 1200 PATCH CORD ROUTING CHANNEL

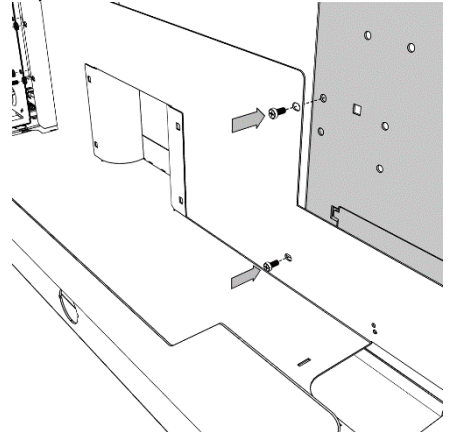
Step 1



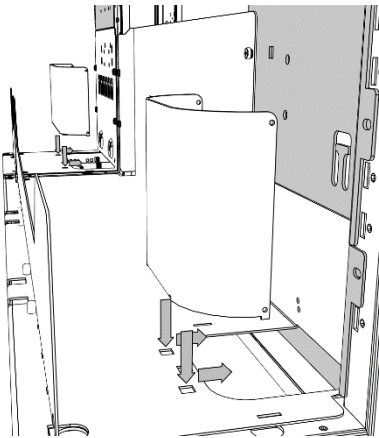
Step 2



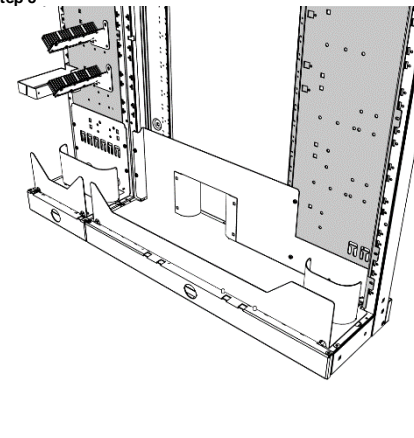
Step 3



Step 4

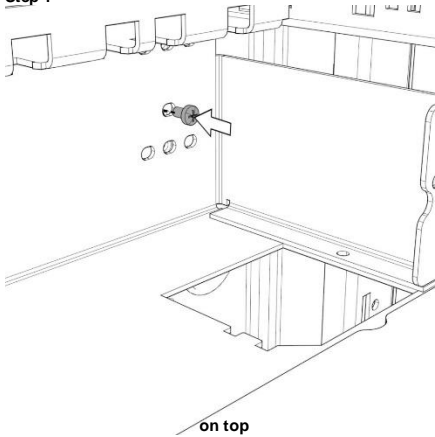


Step 5



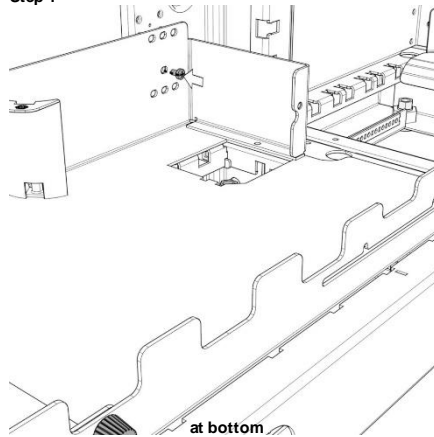
### MOUNTING OF NGR 1500 PATCH CORD ROUTING CHANNEL

Step 1



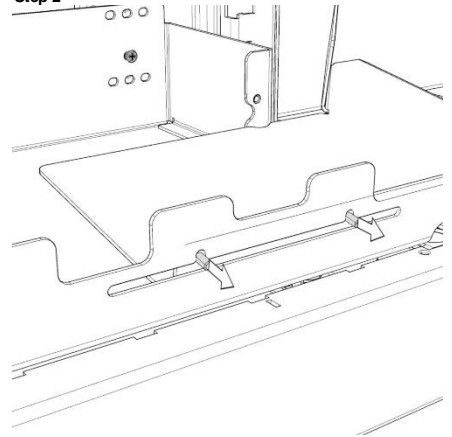
on top

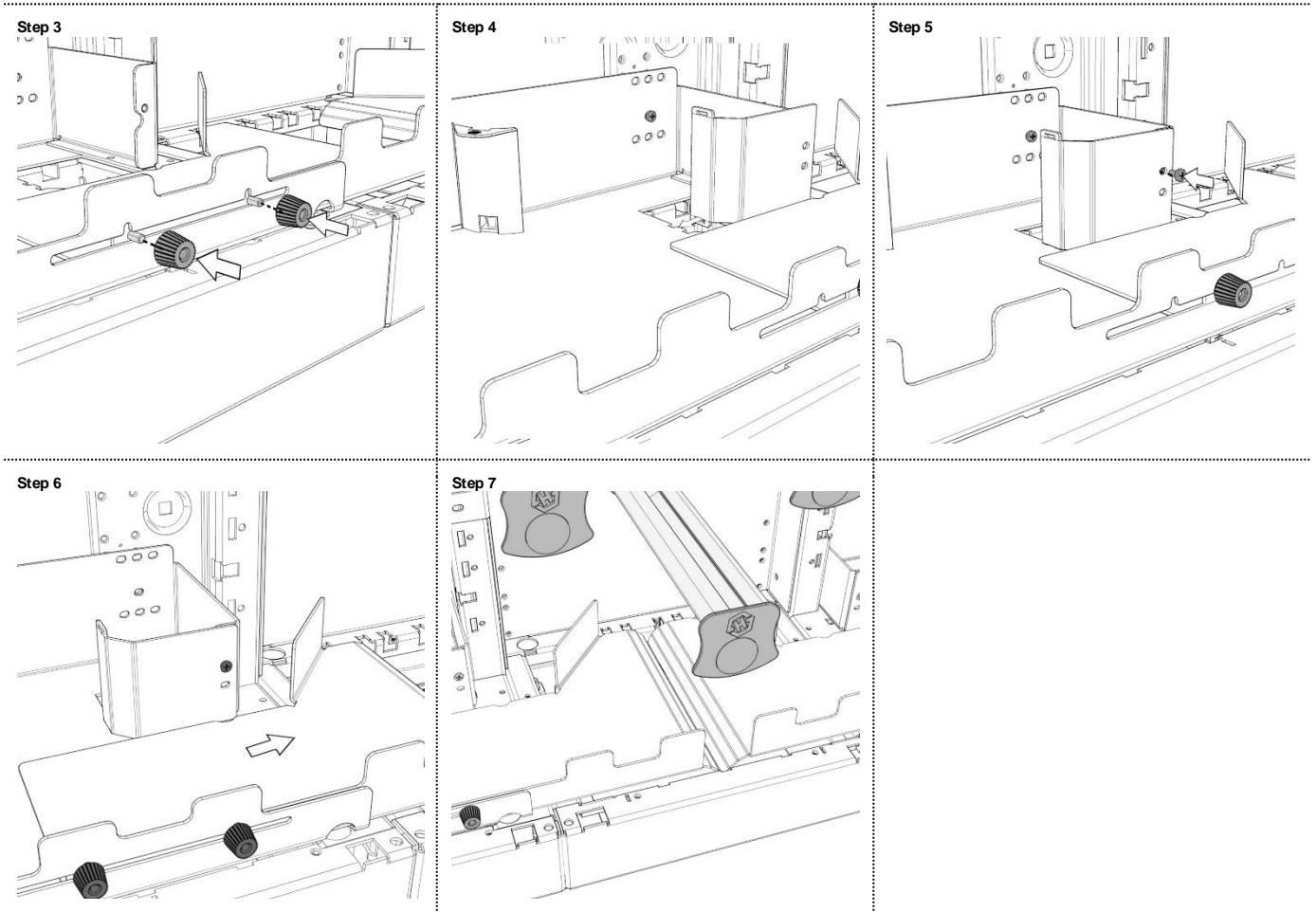
Step 1



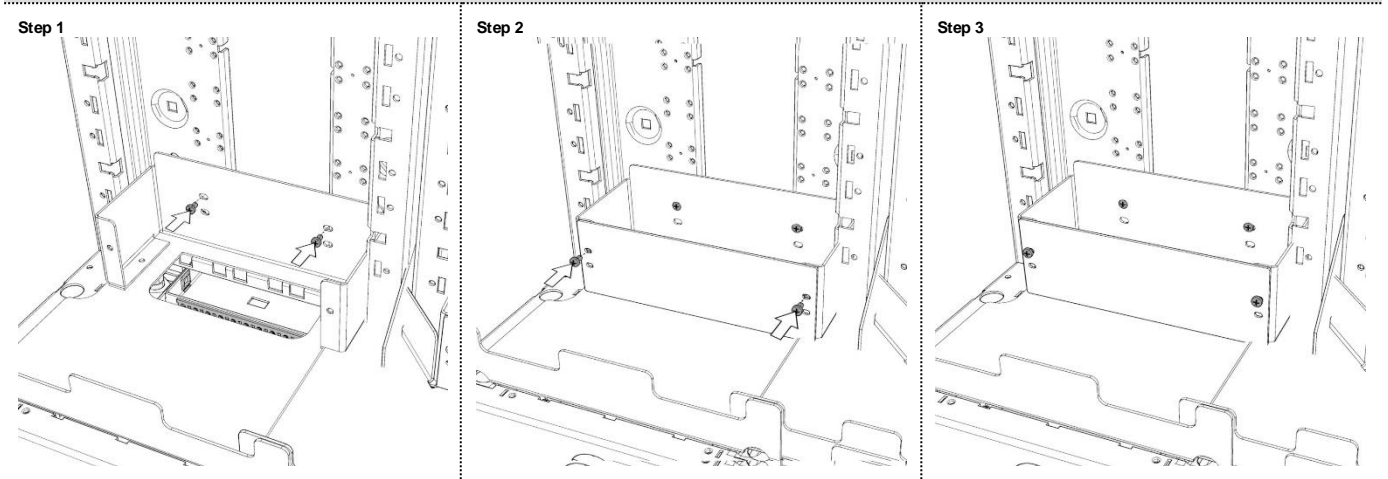
at bottom

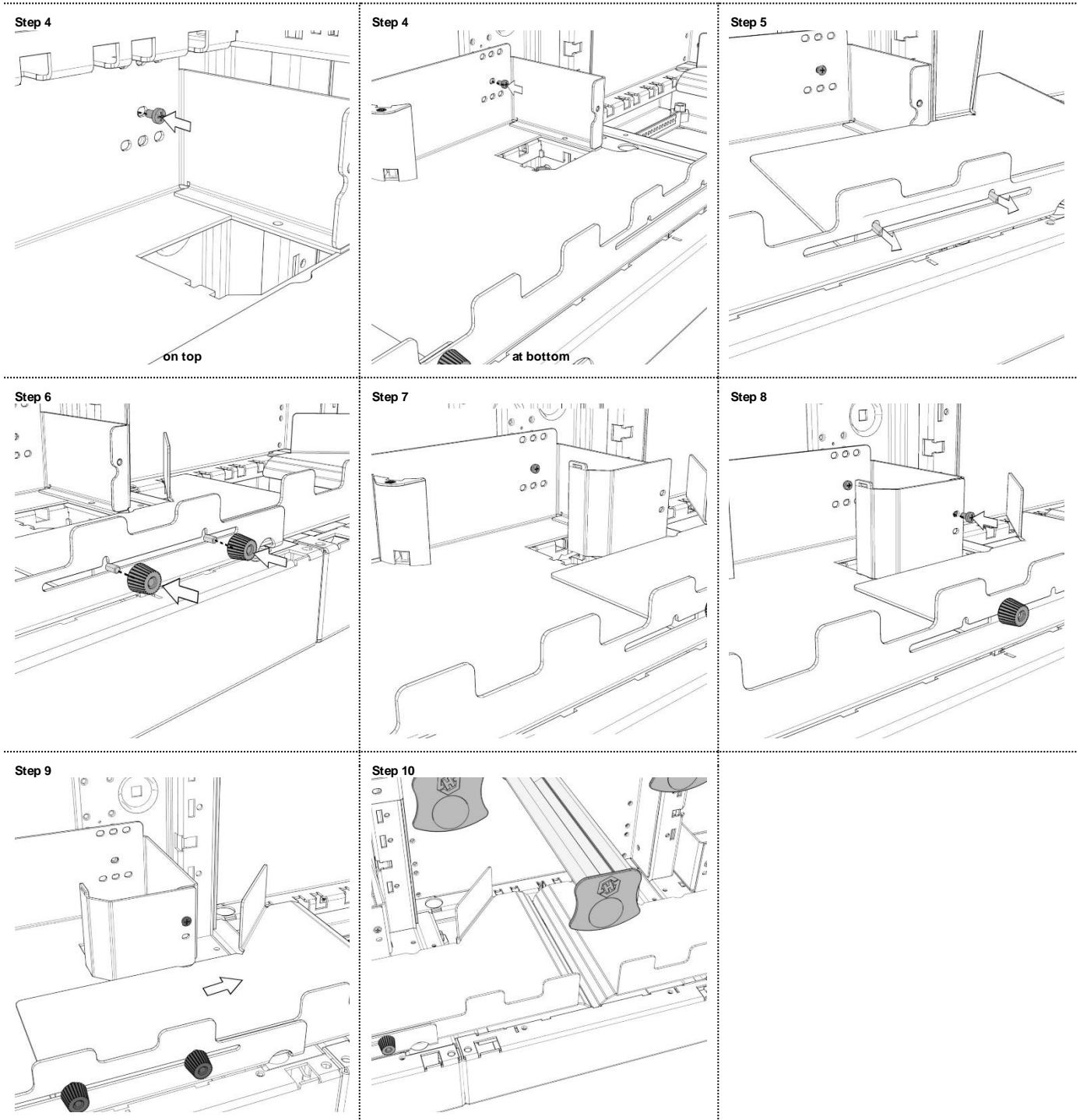
Step 2





### MOUNTING OF NGR 1800 PATCH CORD ROUTING CHANNEL

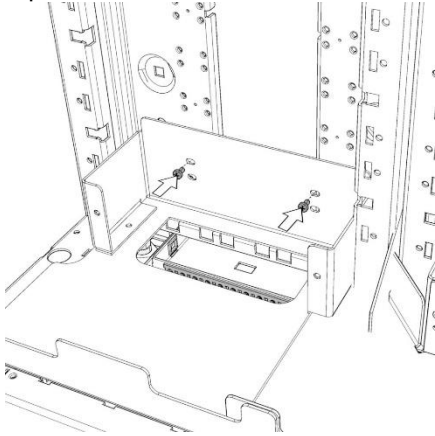




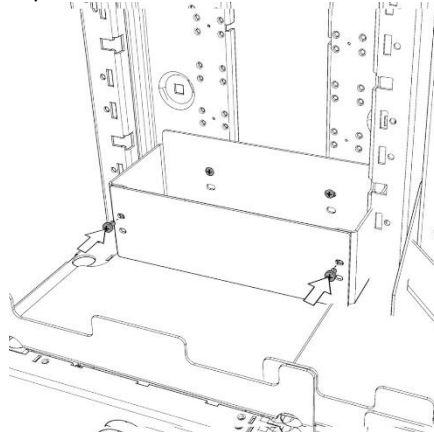


### MOUNTING OF NGR 2100 PATCH CORD ROUTING CHANNEL

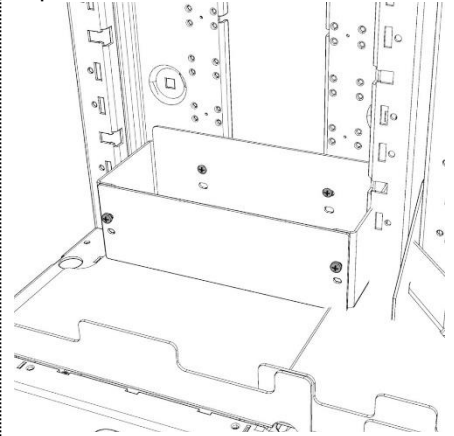
Step 1



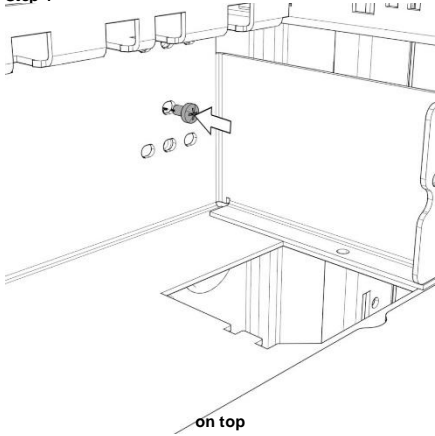
Step 2



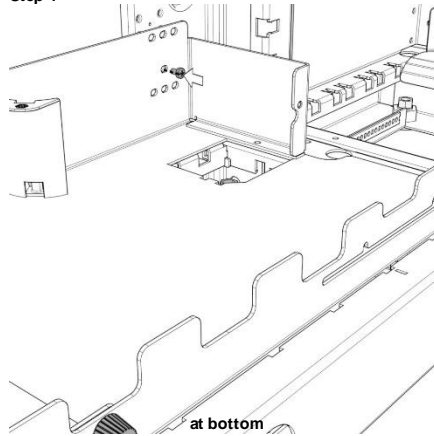
Step 3



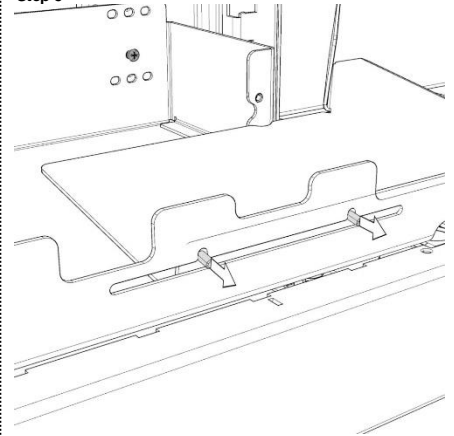
Step 4



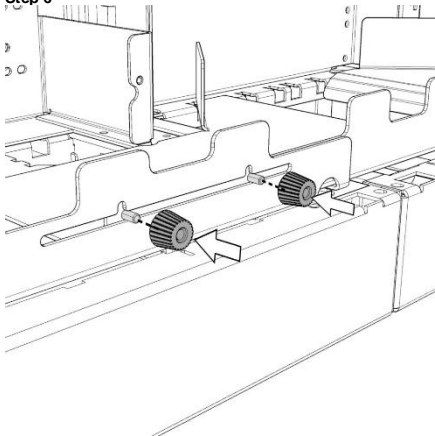
Step 4



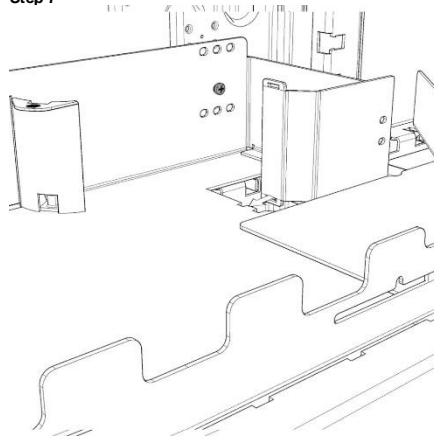
Step 5



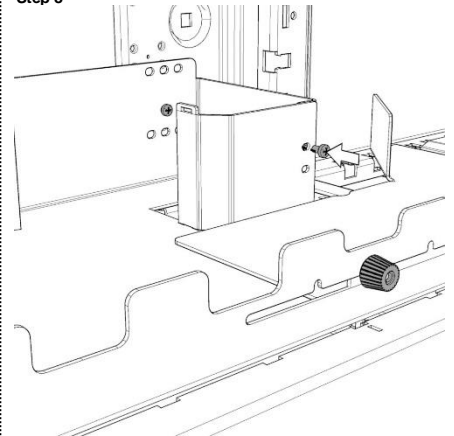
Step 6



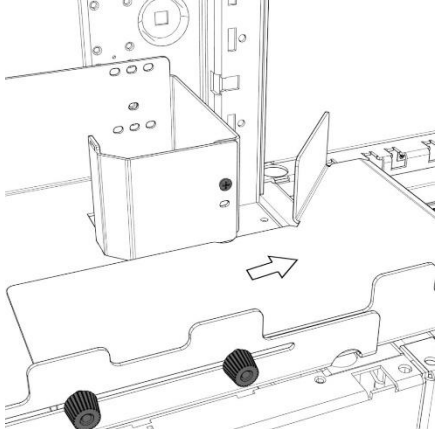
Step 7



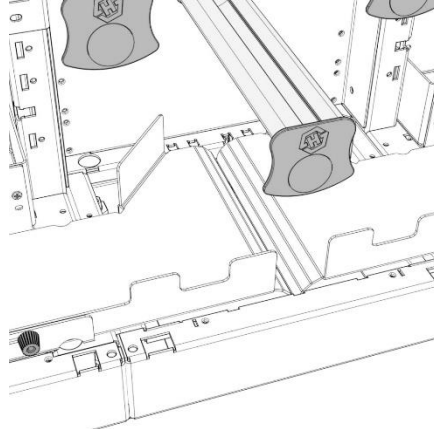
Step 8



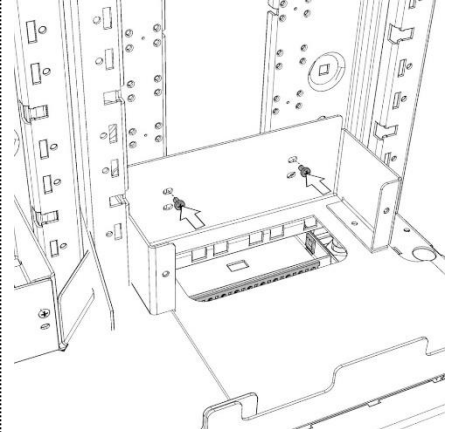
Step 9



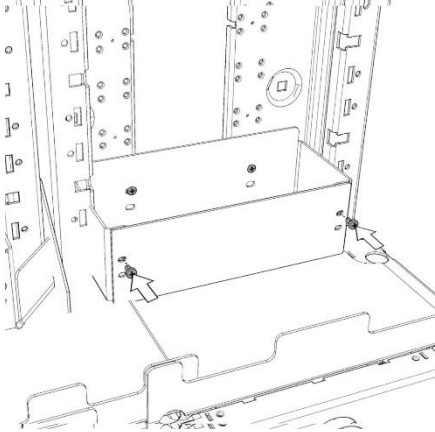
Step 10



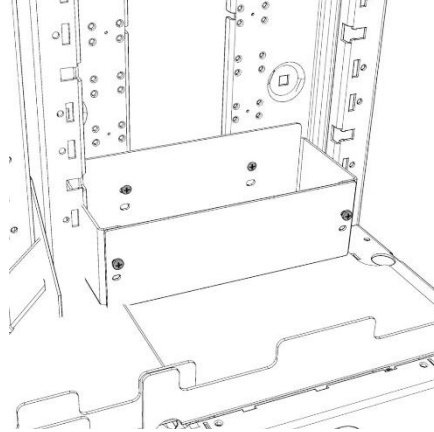
Step 11



Step 12

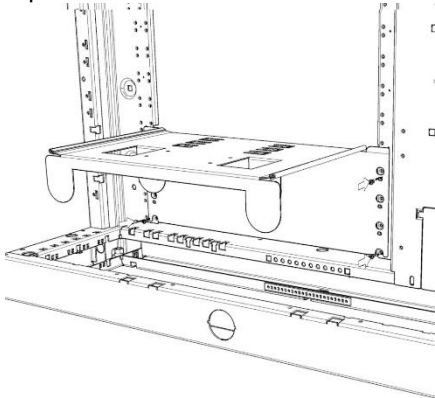


Step 13

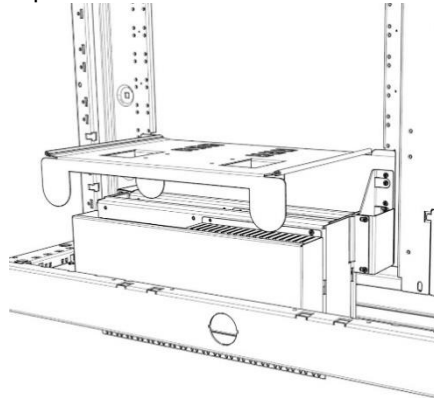


### MOUNTING OF BREAKOUT TROUGH AT BOTTOM OR ON TOP

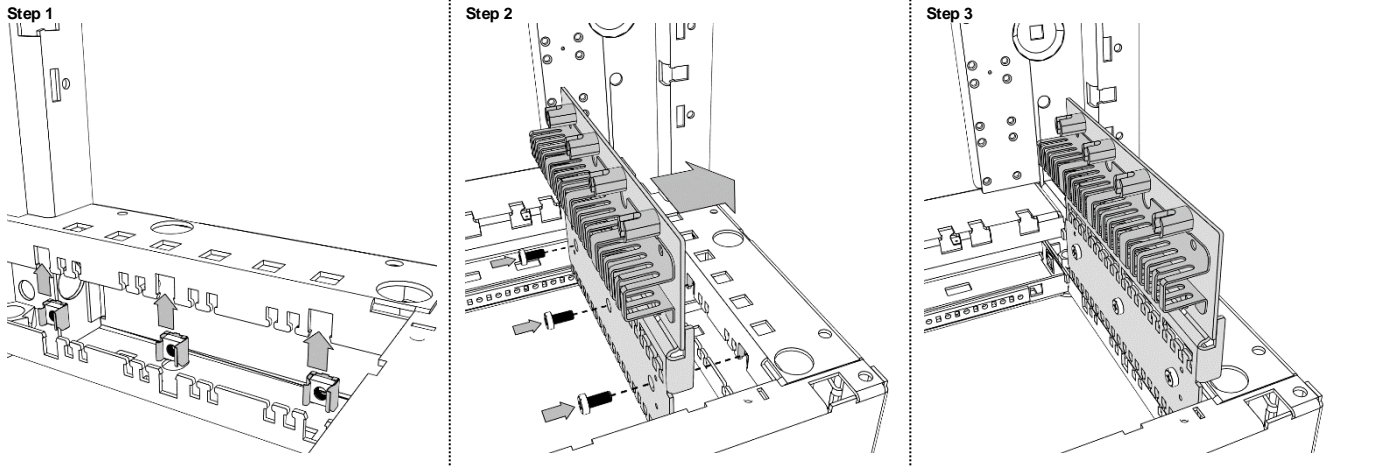
Step 1



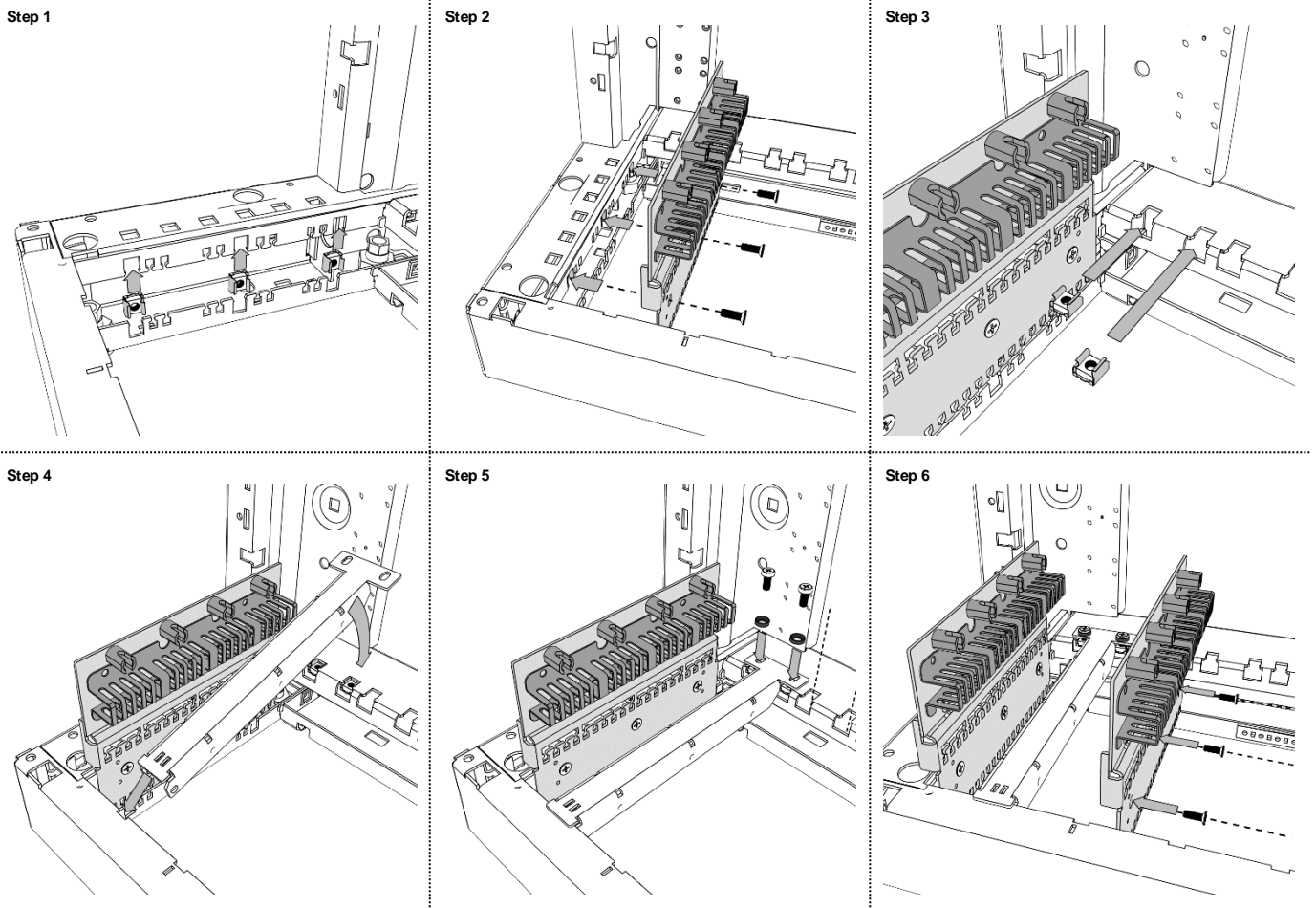
Step 2



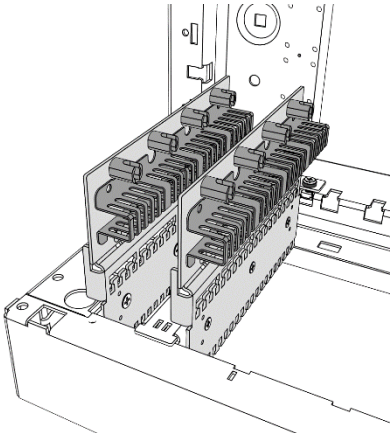
**MOUNTING OF NGR 300 BREAKOUT PLATE 300MM AT BOTTOM OR ON TOP**



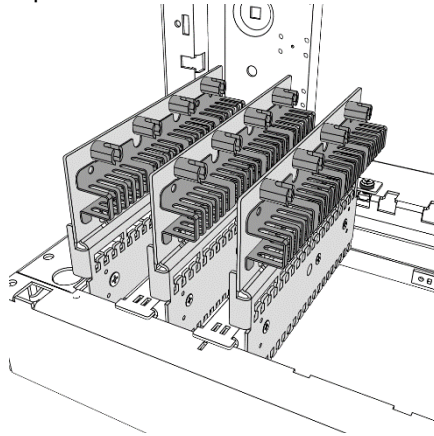
**MOUNTING OF NGR 600 BREAKOUT PLATE 300MM AT BOTTOM OR ON TOP**



Step 7

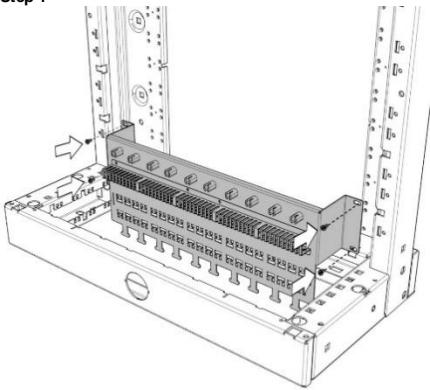


Step 8

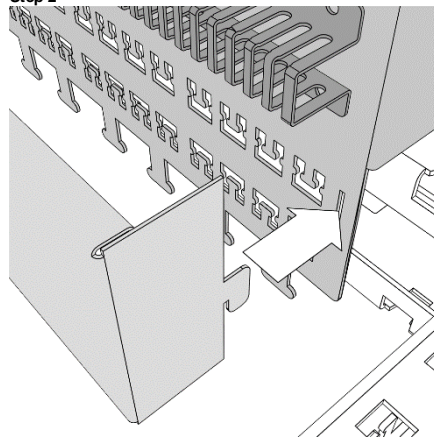


### MOUNTING OF NGR 600 BREAKOUT PLATE 19" STANDARD AT BOTTOM OR ON TOP

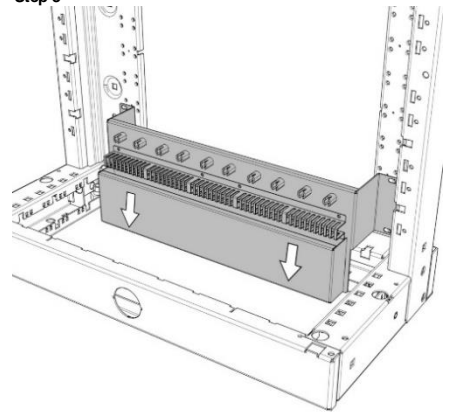
Step 1



Step 2

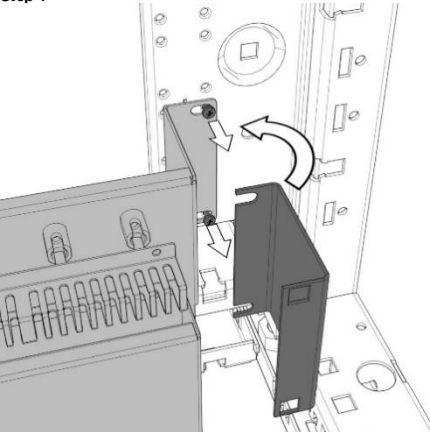


Step 3

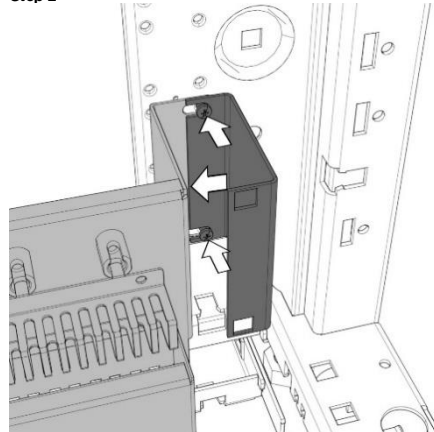


### MOUNTING OF NGR 600 2<sup>ND</sup> LAYER OF BREAKOUT PLATE 19" STANDARD AT BOTTOM OR ON TOP

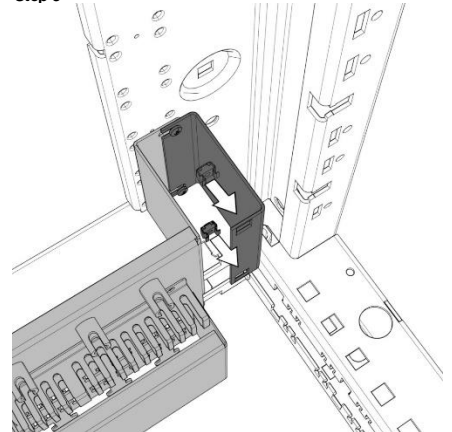
Step 1



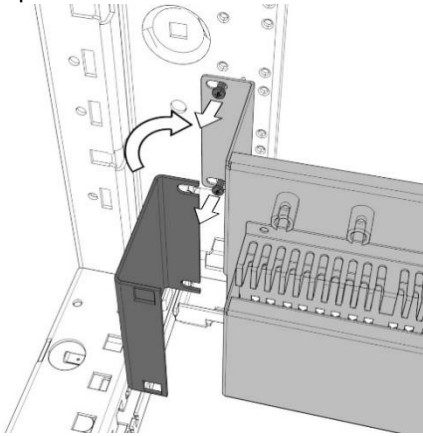
Step 2



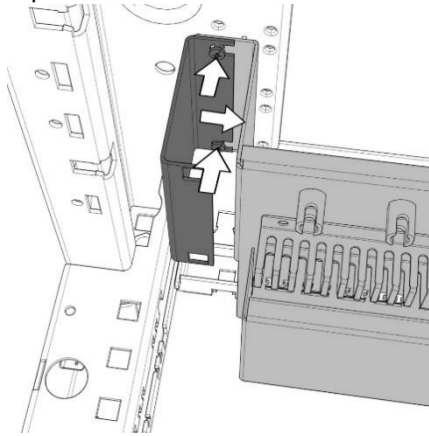
Step 3



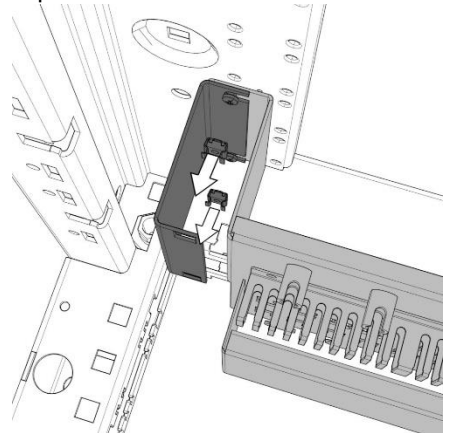
Step 4



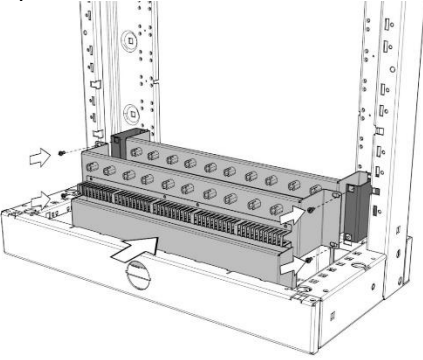
Step 5



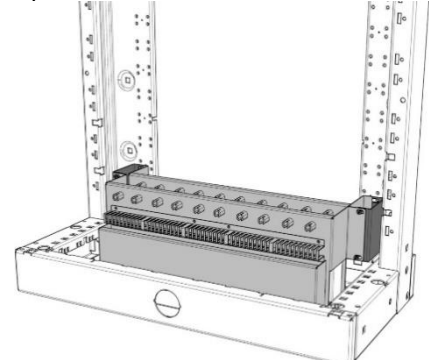
Step 6



Step 7

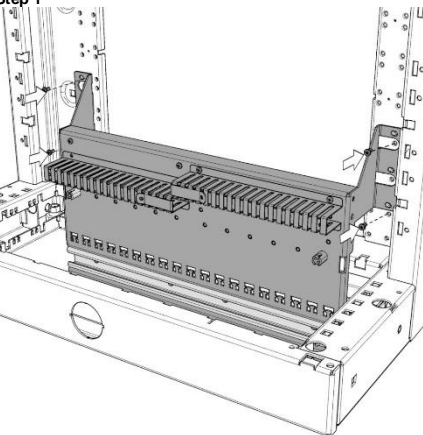


Step 8

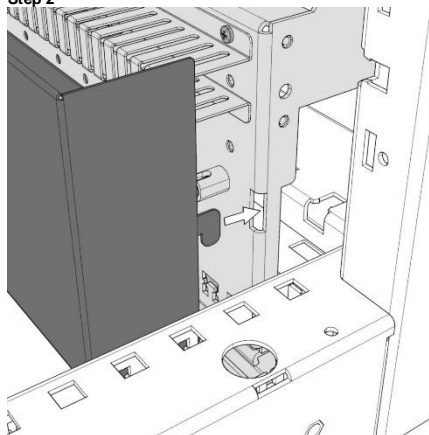


### MOUNTING OF NGR 600 BREAKOUT PLATE 19" LARGE AT BOTTOM OR ON TOP

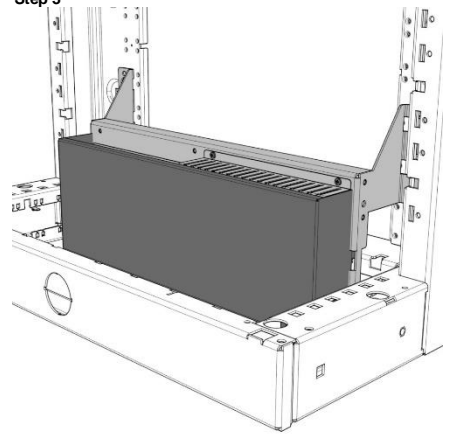
Step 1



Step 2

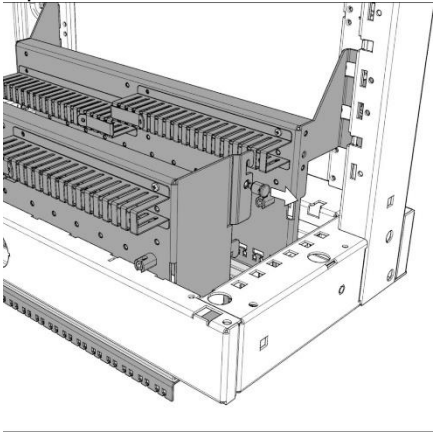


Step 3

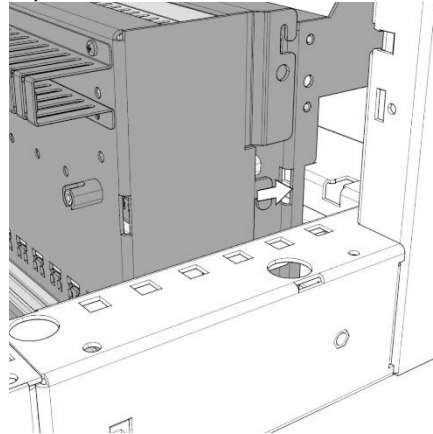


### MOUNTING OF NGR 600 2<sup>ND</sup> LAYER OF BREAKOUT PLATE 19" LARGE AT BOTTOM OR ON TOP

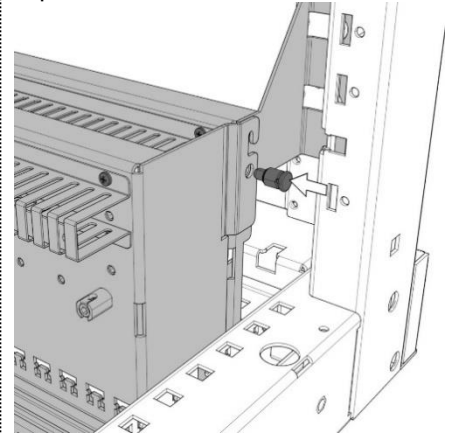
Step 1



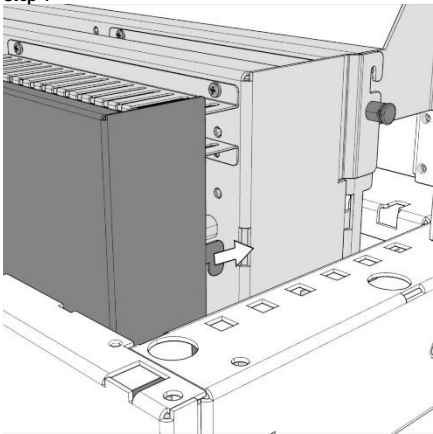
Step 2



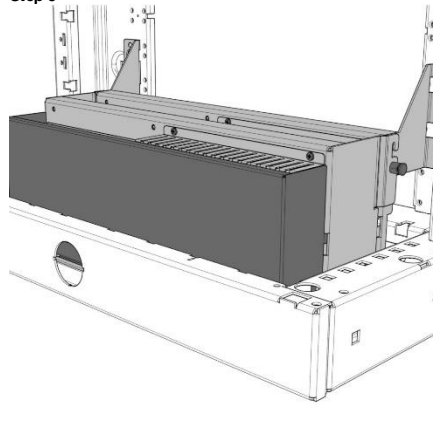
Step 3



Step 4

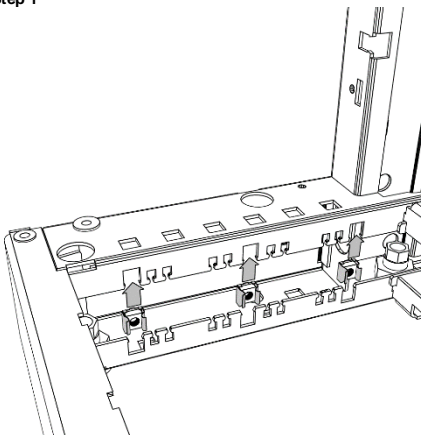


Step 5

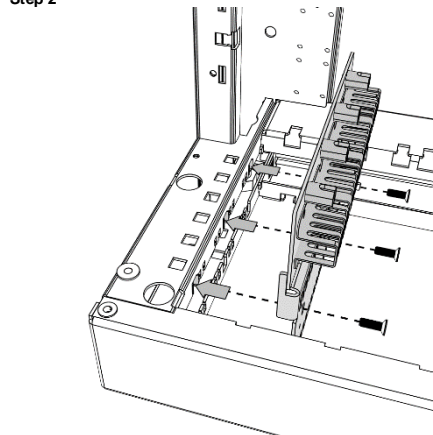


### MOUNTING OF NGR 900 BREAKOUT PLATE 300MM AT BOTTOM OR ON TOP

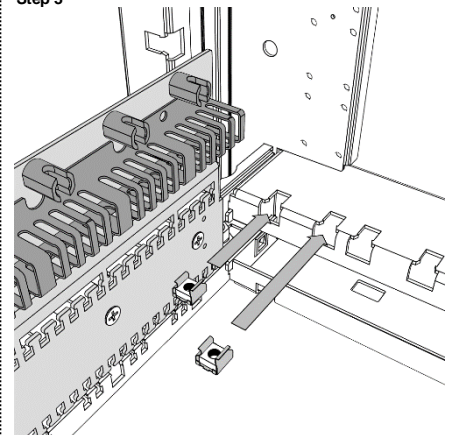
Step 1



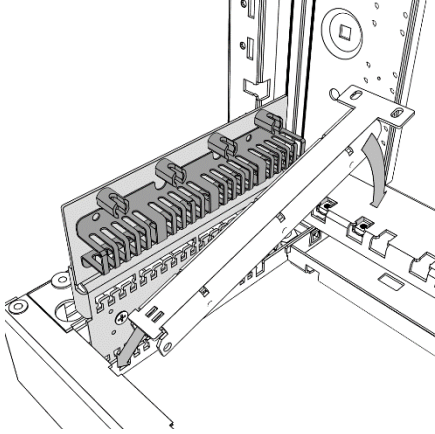
Step 2



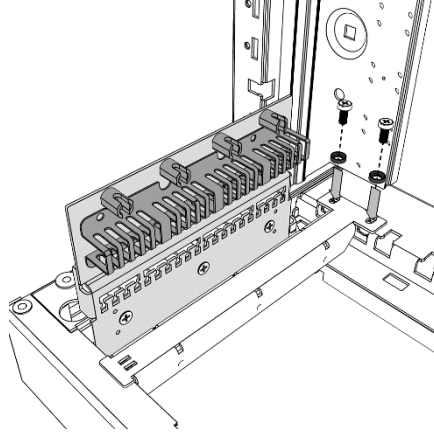
Step 3



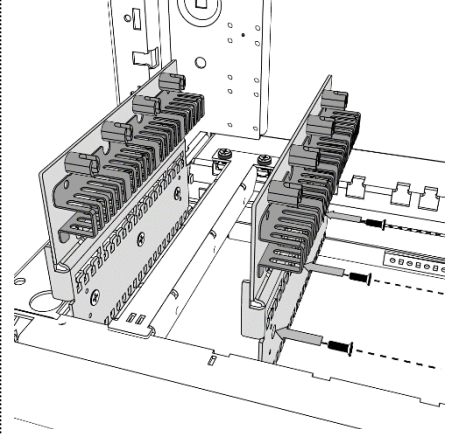
Step 4



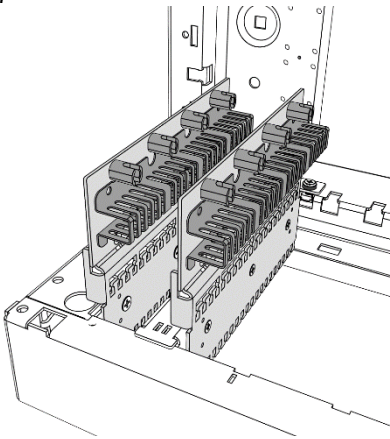
Step 5



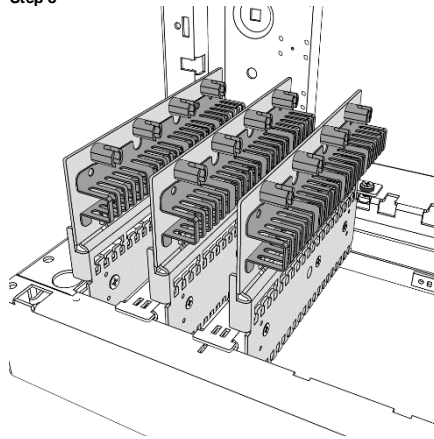
Step 6



Step 7

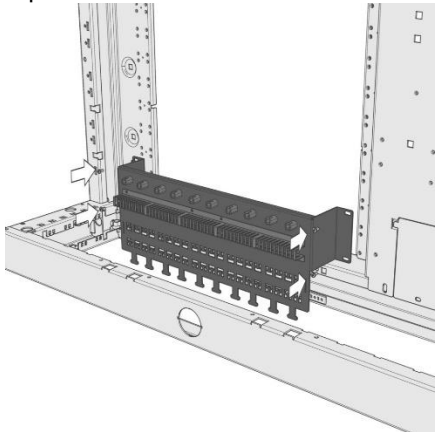


Step 8

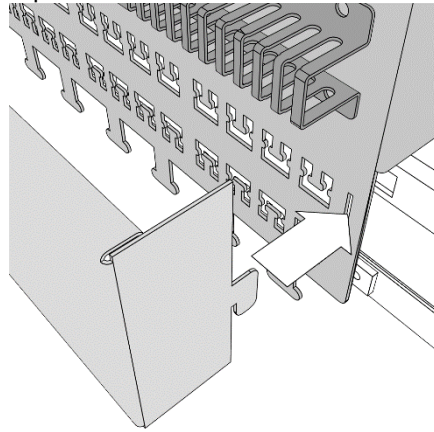


### MOUNTING OF NGR 900 BREAKOUT PLATE 19" STANDARD AT BOTTOM OR ON TOP

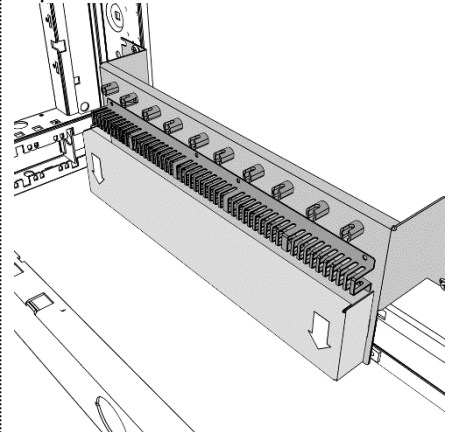
Step 1



Step 2

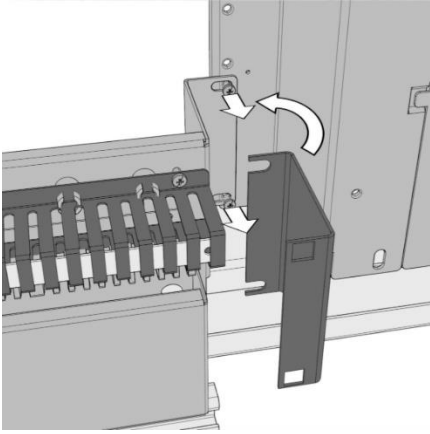


Step 3

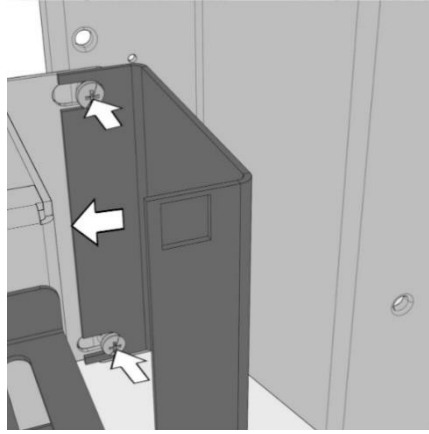


### MOUNTING OF NGR 900 2<sup>ND</sup> LAYER OF BREAKOUT PLATE 19" STANDARD AT BOTTOM OR ON TOP

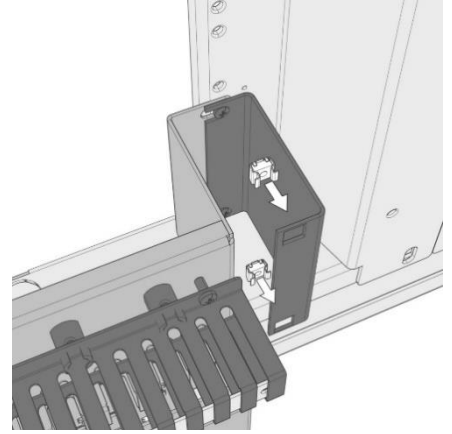
Step 1



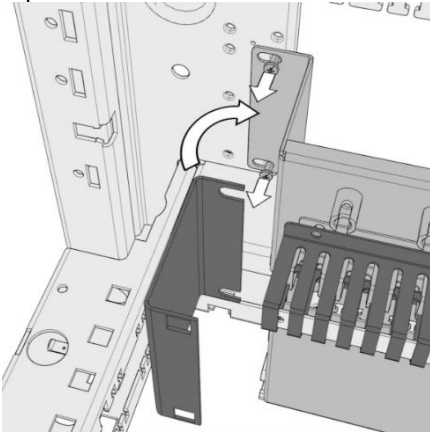
Step 2



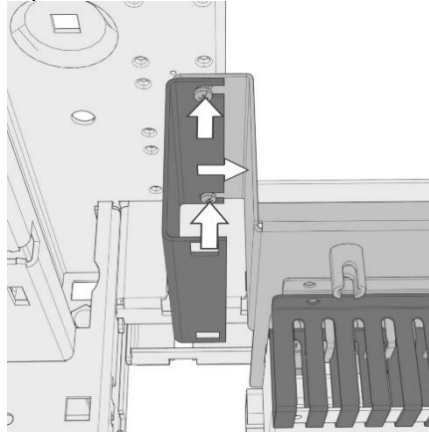
Step 3



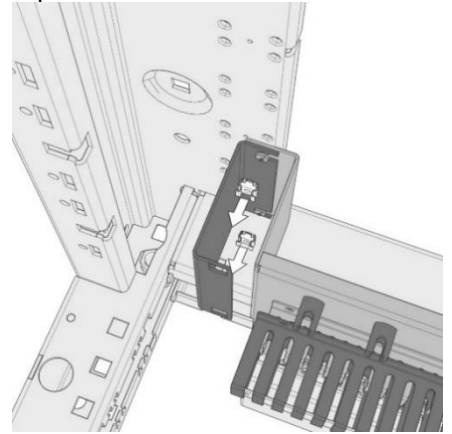
Step 4



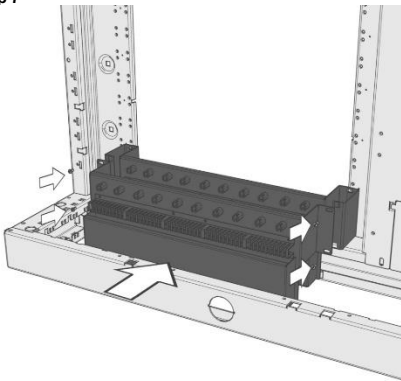
Step 5



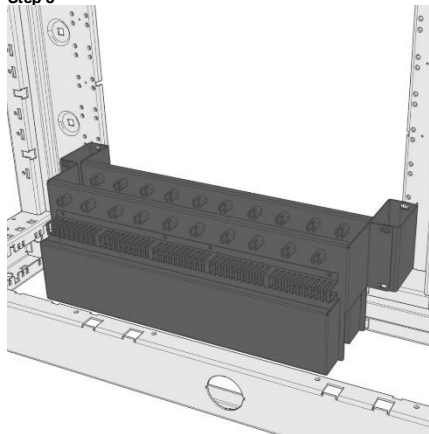
Step 6



Step 7



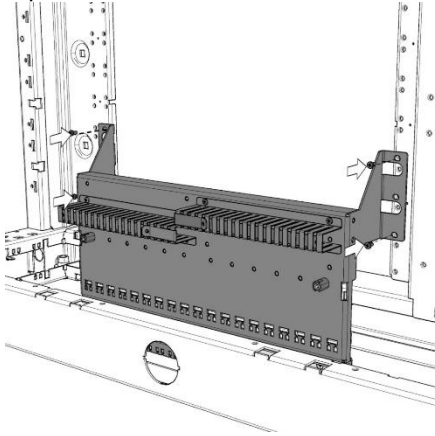
Step 8



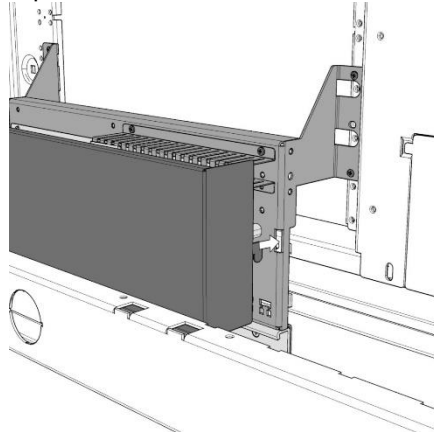


### MOUNTING OF NGR 900 BREAKOUT PLATE 19" LARGE AT BOTTOM OR ON TOP

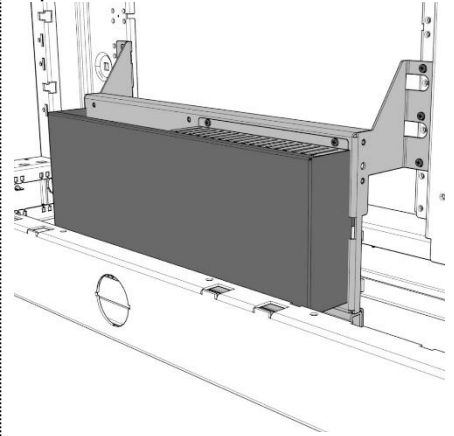
Step 1



Step 2

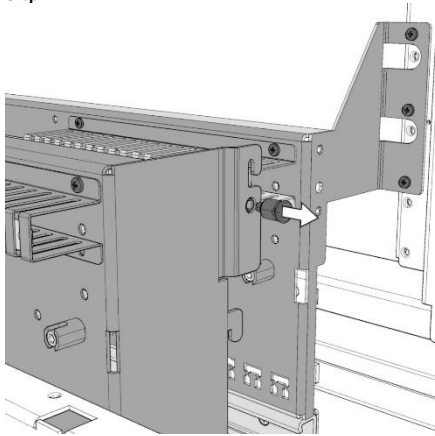


Step 3

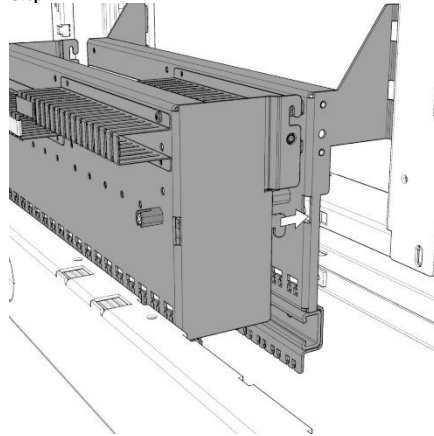


### MOUNTING OF NGR 900 2<sup>ND</sup> LAYER OF BREAKOUT PLATE 19" LARGE AT BOTTOM OR ON TOP

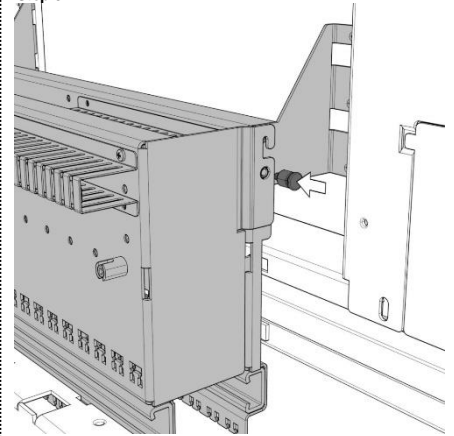
Step 1



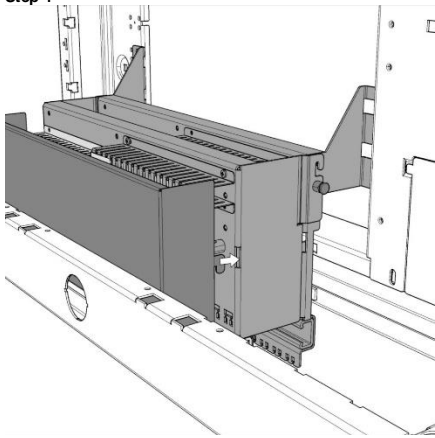
Step 2



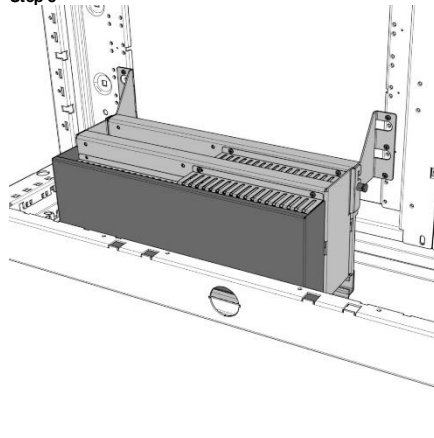
Step 3



Step 4

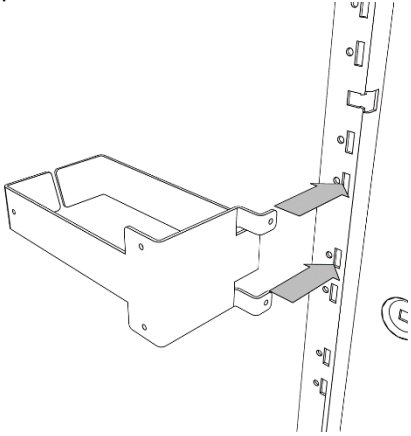


Step 5

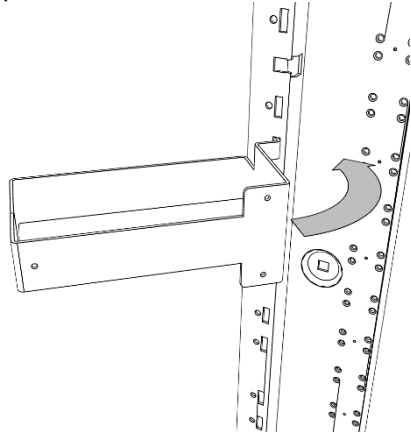


### MOUNTING OF CABLE RETAINER

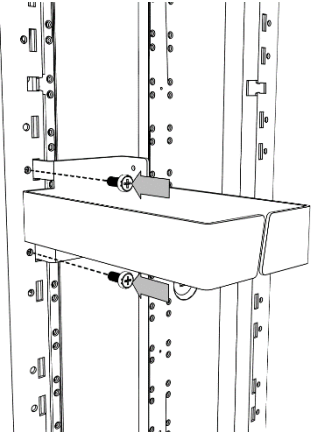
Step 1



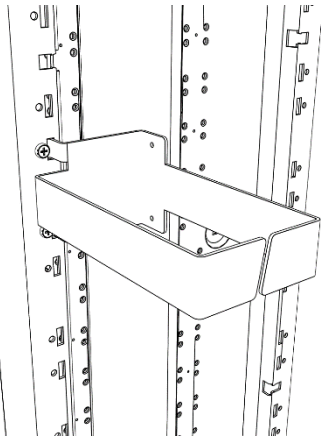
Step 2



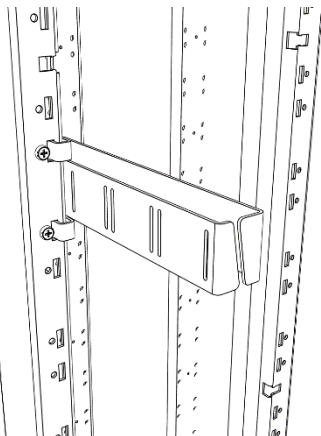
Step 3



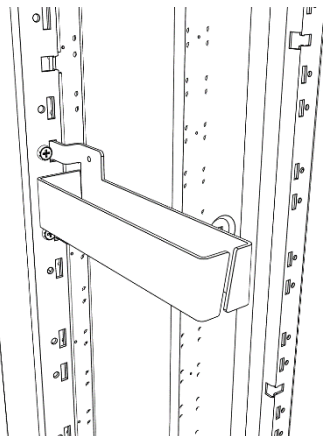
Step 4



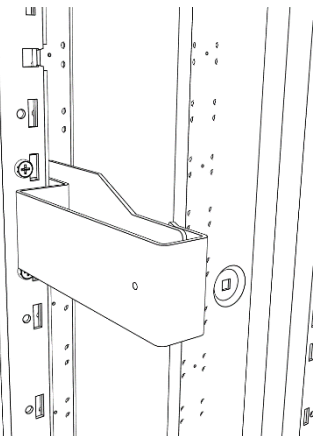
Step 1



Step 2

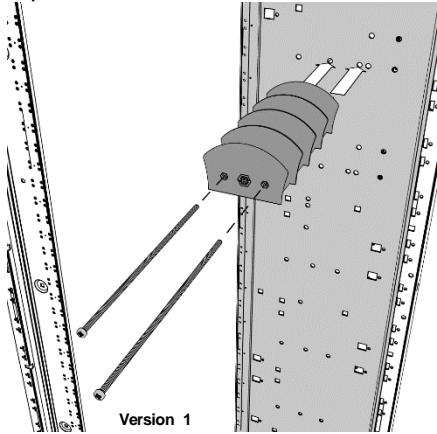


Step 3

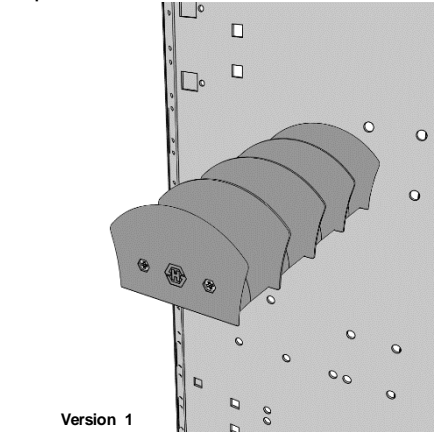


### DEMOUNTING / MOUNTING OF MANDRELS

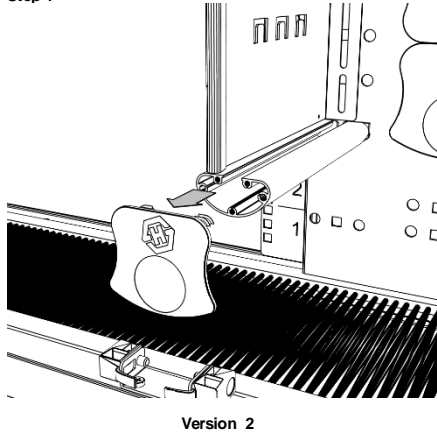
Step 1



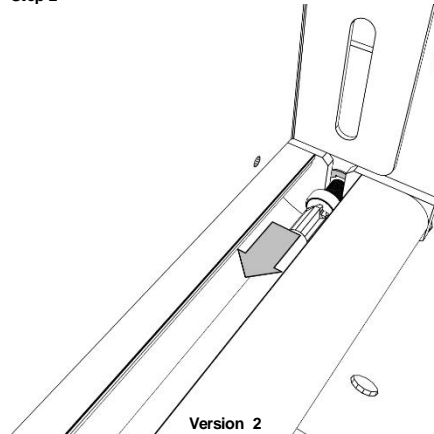
Step 2



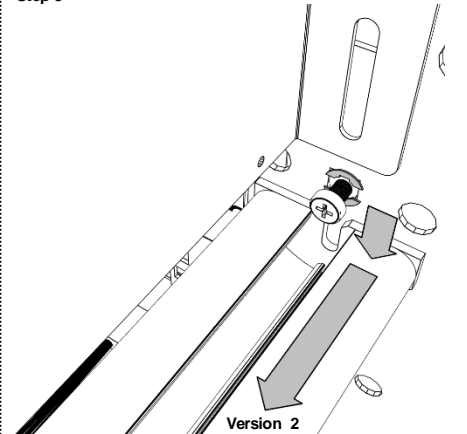
Step 1



Step 2

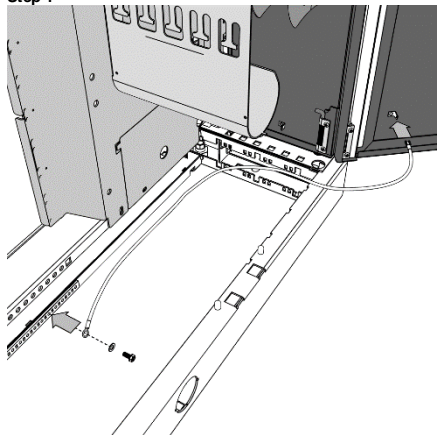


Step 3

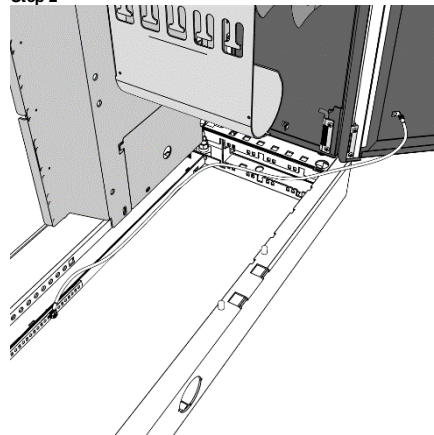


### MOUNTING OF GROUNDING CABLES

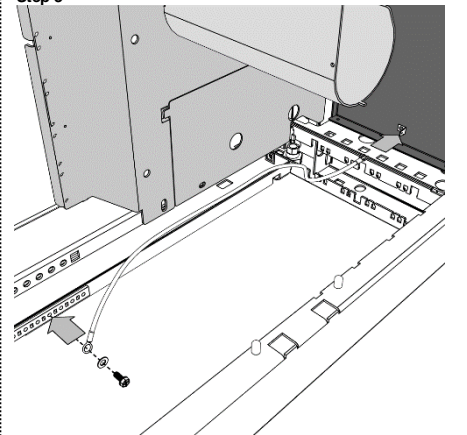
Step 1



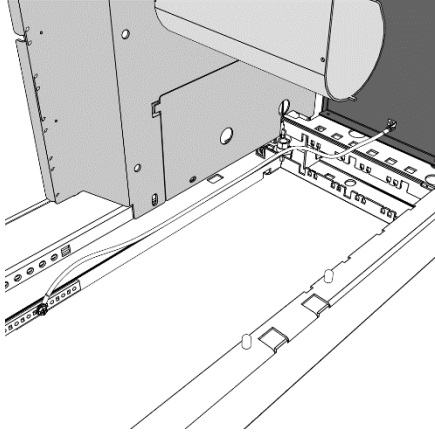
Step 2



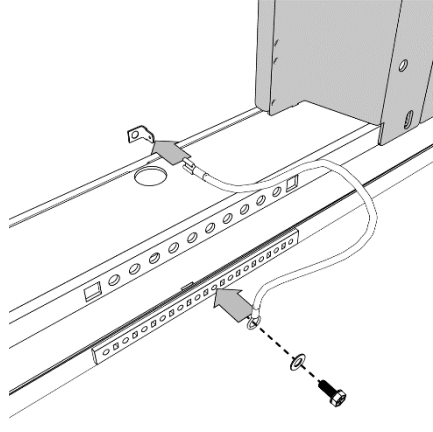
Step 3



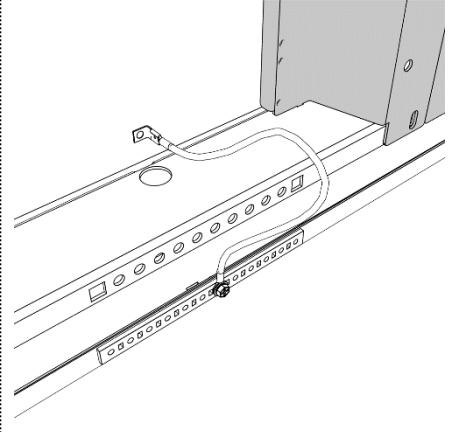
Step 4



Step 5

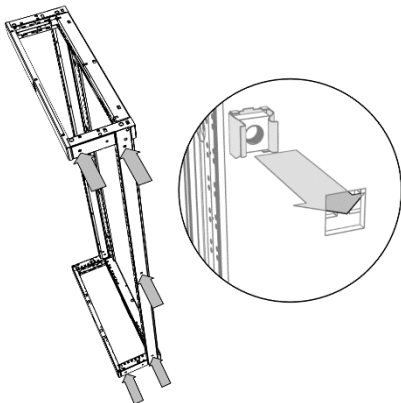


Step 6

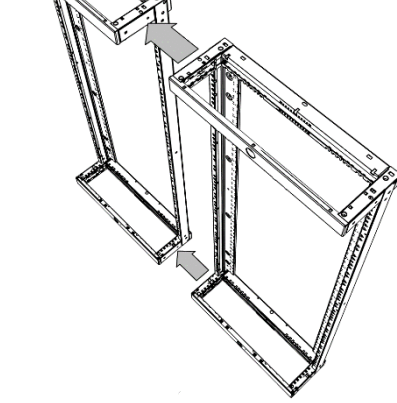


### BAYING NGR 300 / NGR 600 / NGR 900 TOGETHER SIDE BY SIDE OR BACK TO BACK – 84076448

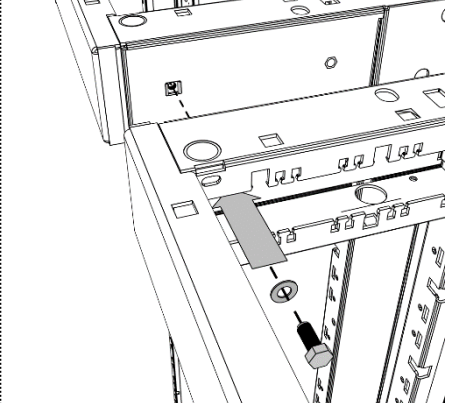
Step 1



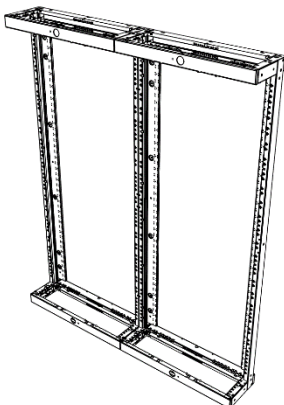
Step 2



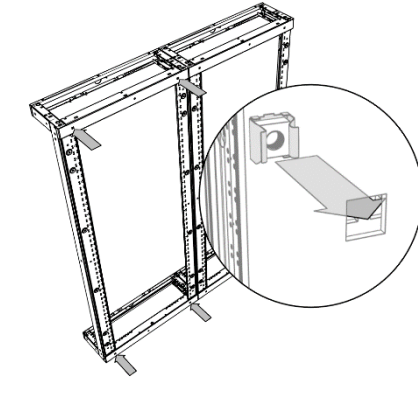
Step 3



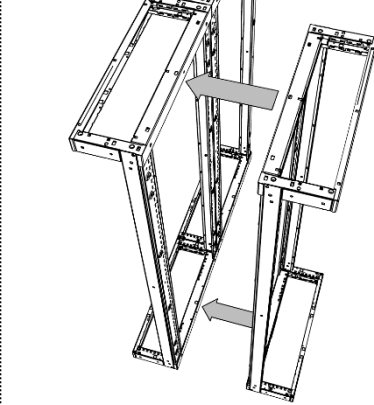
Step 4



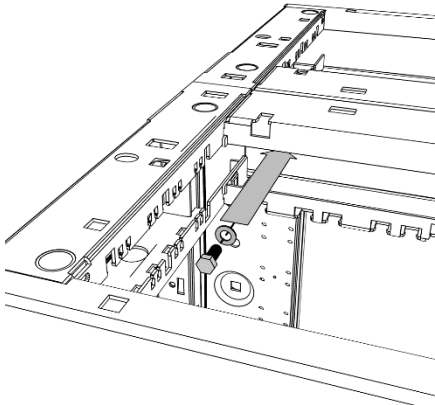
Step 5



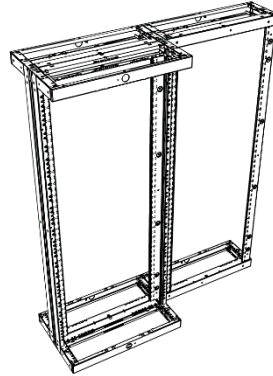
Step 6



Step 7

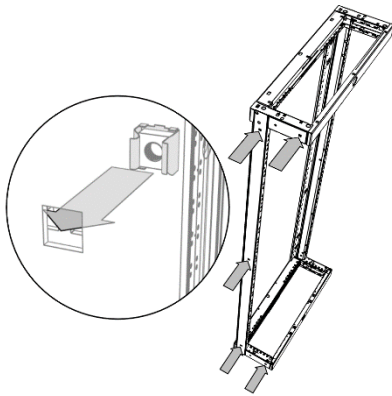


Step 8

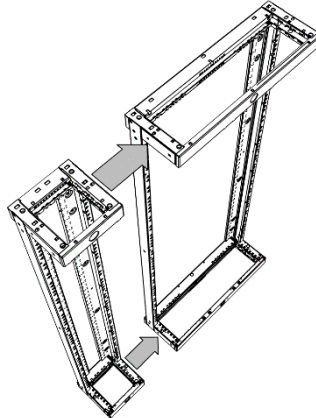


**BAYING NGR 1200 TOGETHER SIDE BY SIDE OR BACK TO BACK – 84076448**

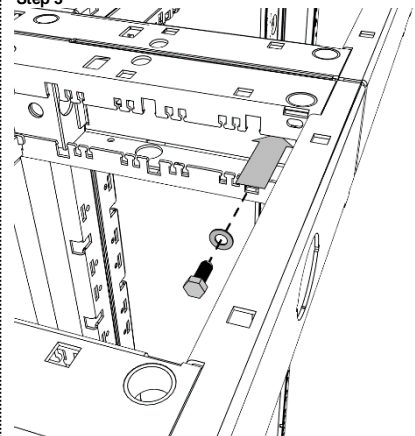
Step 1



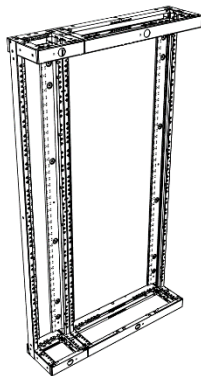
Step 2



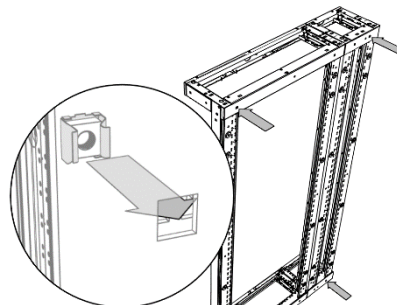
Step 3



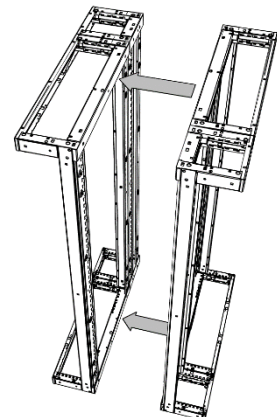
Step 4



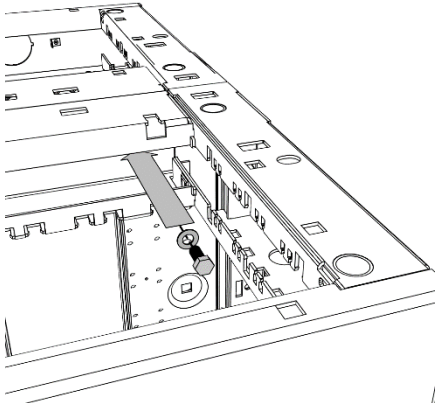
Step 5



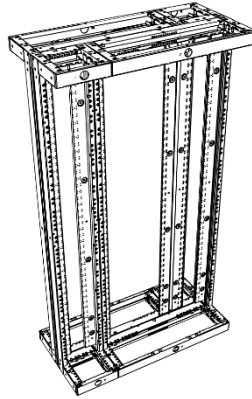
Step 6



Step 7

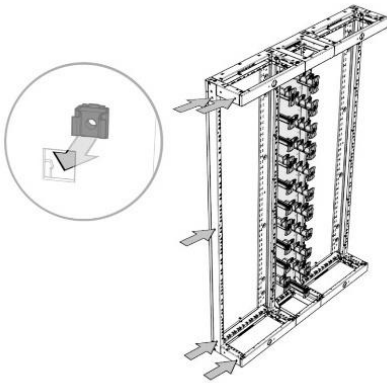


Step 8

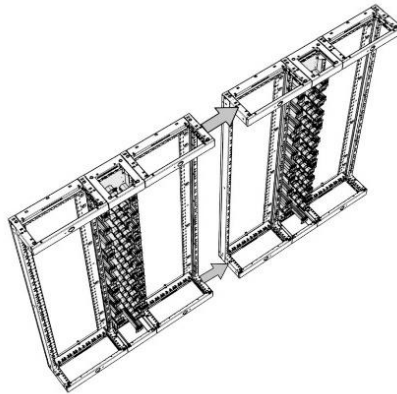


### BAYING NGR 1500 TOGETHER SIDE BY SIDE OR BACK TO BACK – 84076448

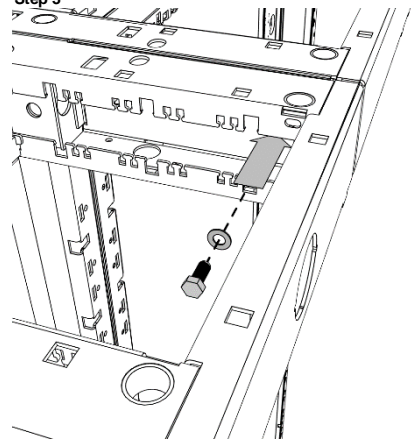
Step 1



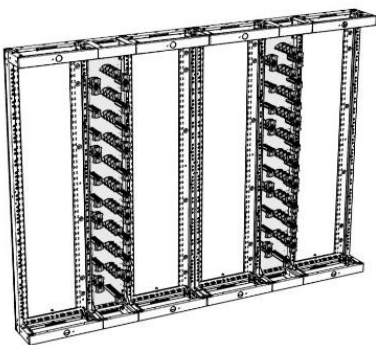
Step 2



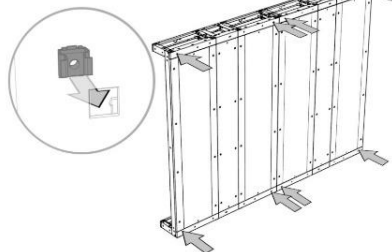
Step 3



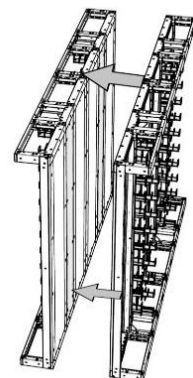
Step 4



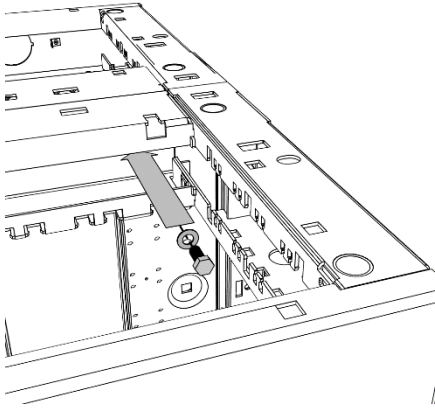
Step 5



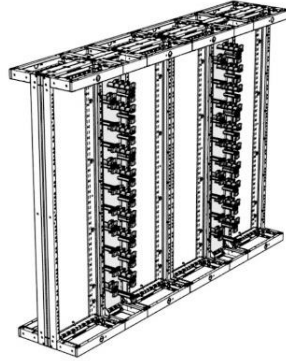
Step 6



Step 7

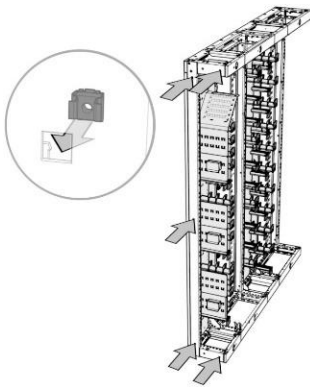


Step 8

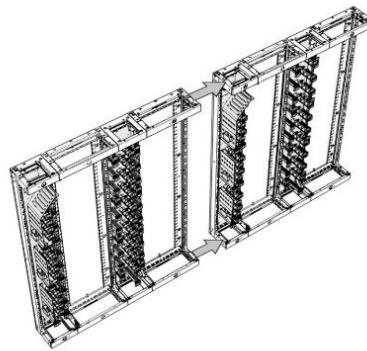


### BAYING NGR 1800 TOGETHER SIDE BY SIDE OR BACK TO BACK – 84076448

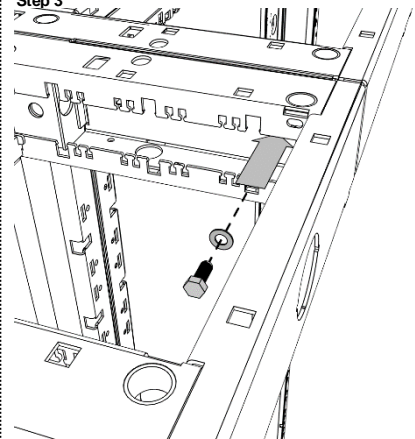
Step 1



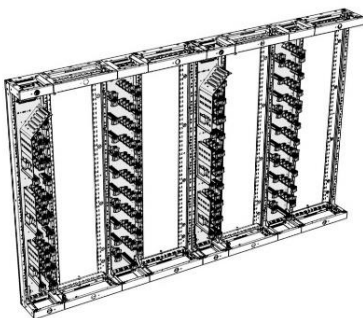
Step 2



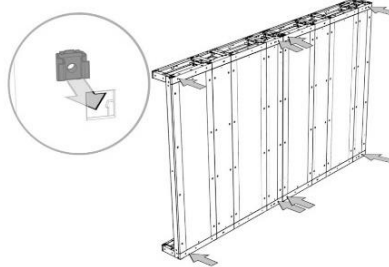
Step 3



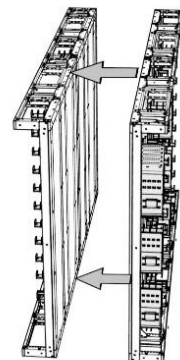
Step 4



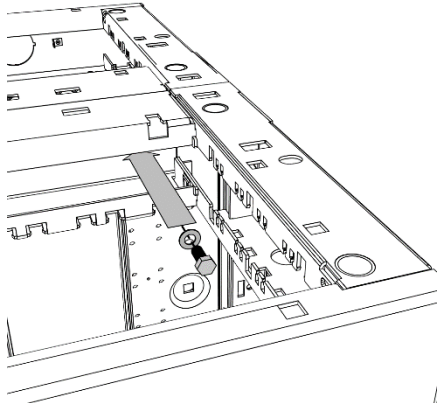
Step 5



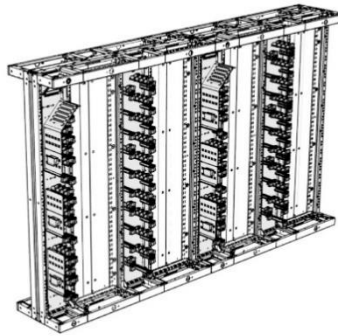
Step 6



Step 7

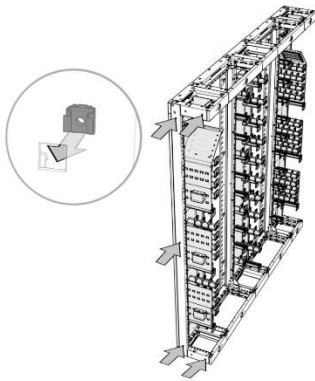


Step 8

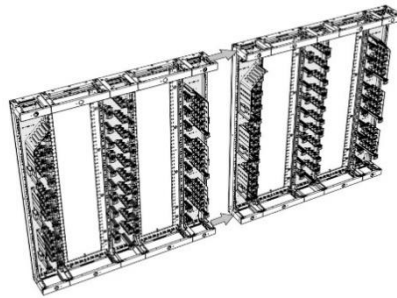


### BAYING NGR 2100 TOGETHER SIDE BY SIDE OR BACK TO BACK – 84076448

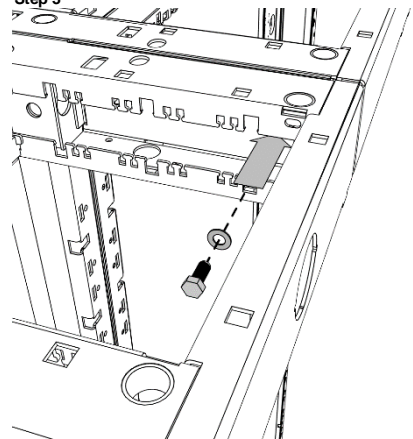
Step 1



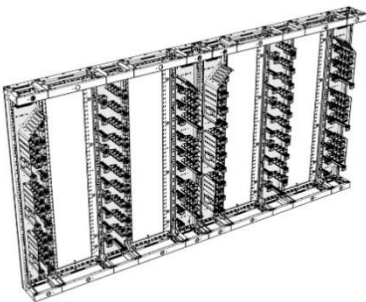
Step 2



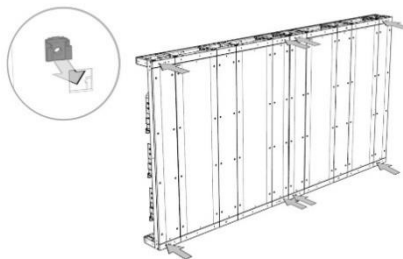
Step 3



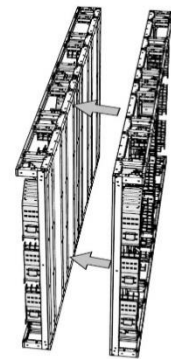
Step 4



Step 5

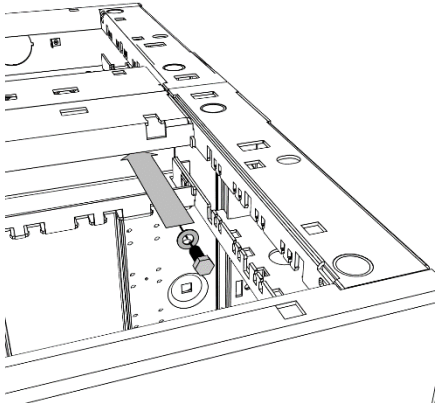


Step 6





Step 7

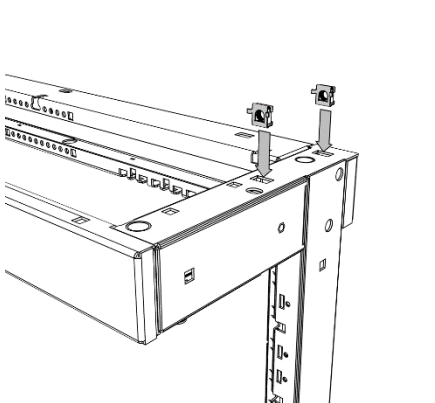


Step 8

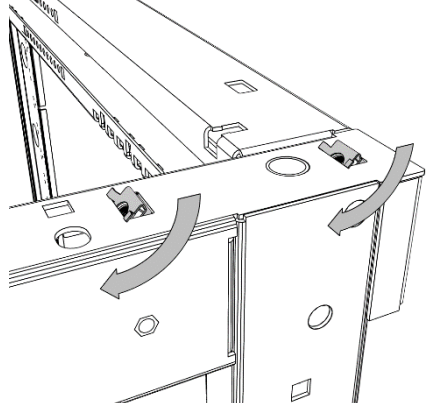


### MOUNTING OF RACK AGAINST A WALL – 84071885

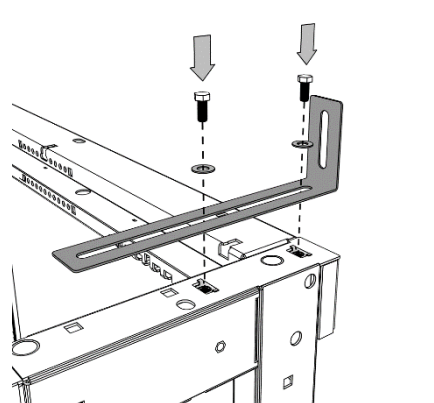
Step 1



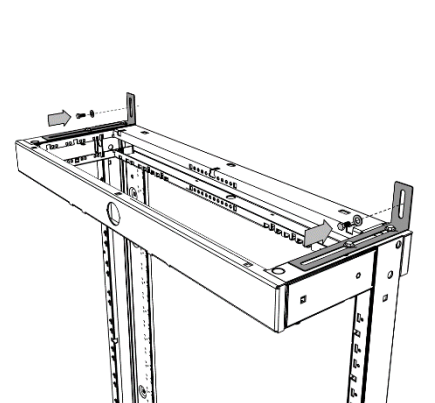
Step 2



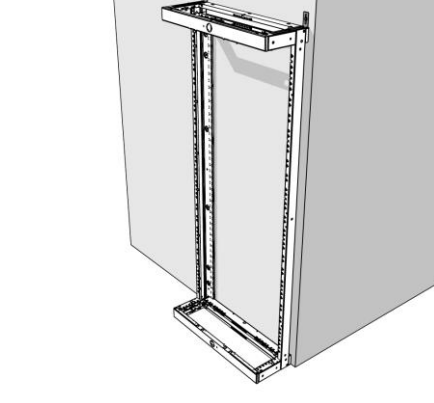
Step 3



Step 4

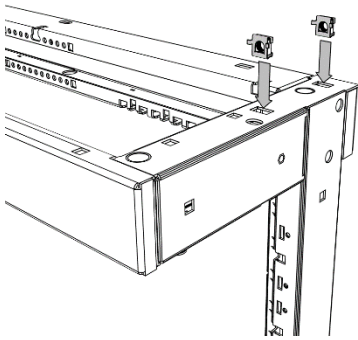


Step 5

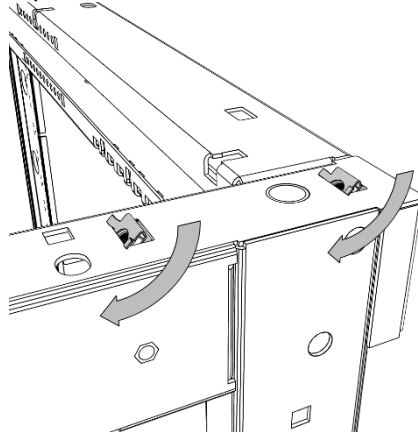


### MOUNTING OF RACK TO CEILING – 84069172

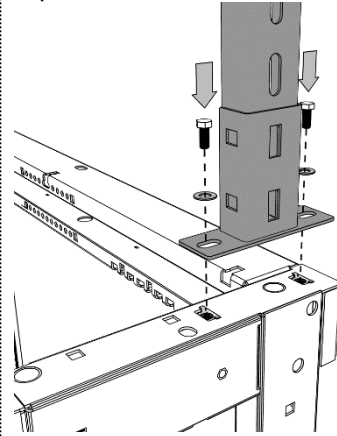
Step 1



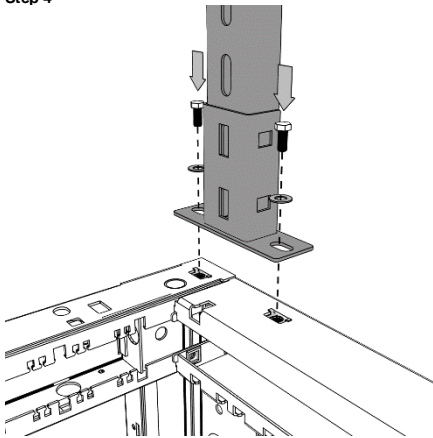
Step 2



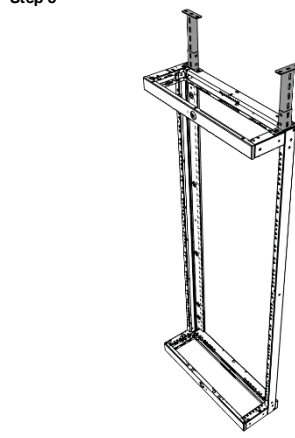
Step 3



Step 4

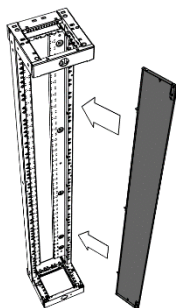


Step 5

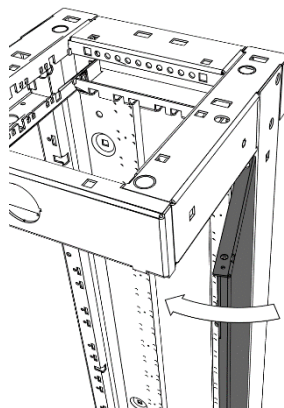


### MOUNTING OF NGR 300 SIDE PANEL AND DOOR

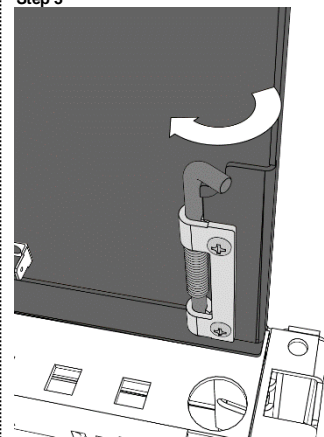
Step 1



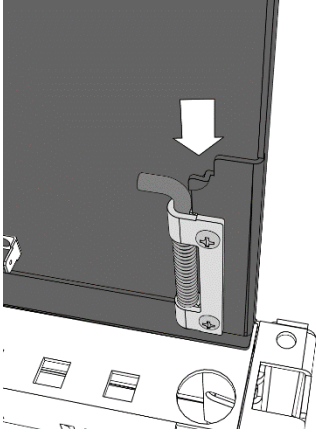
Step 2



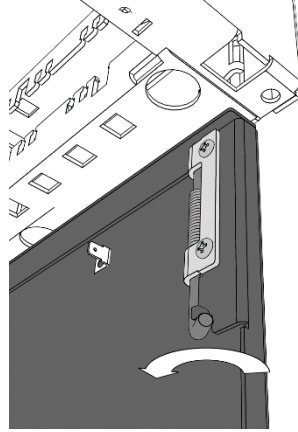
Step 3



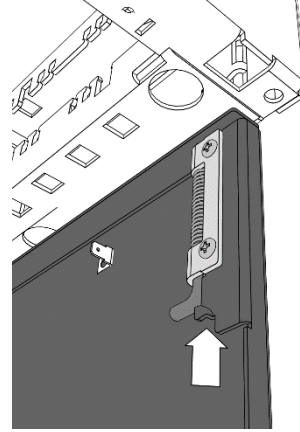
Step 4



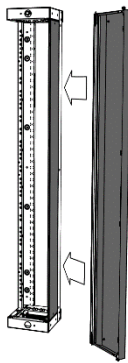
Step 5



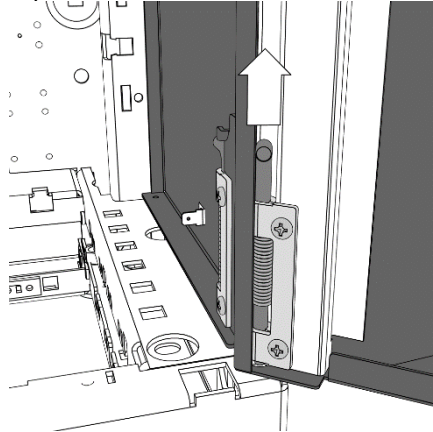
Step 6



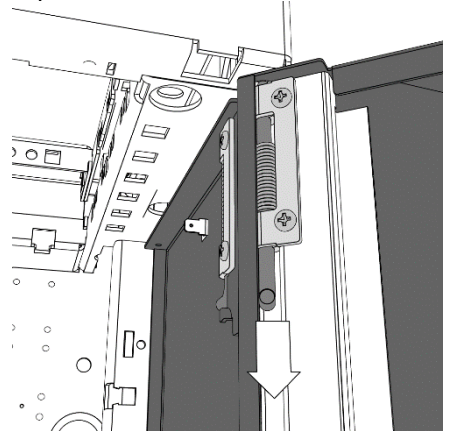
Step 7



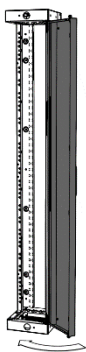
Step 8



Step 9



Step 10

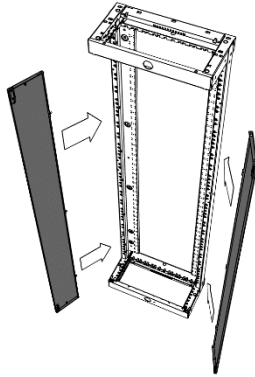


Step 11

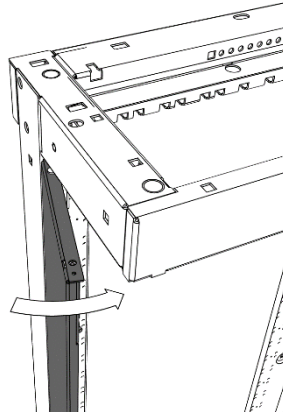


**MOUNTING OF NGR 600 SIDE PANELS AND DOOR**

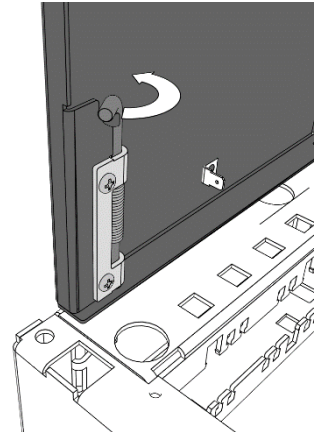
Step 1



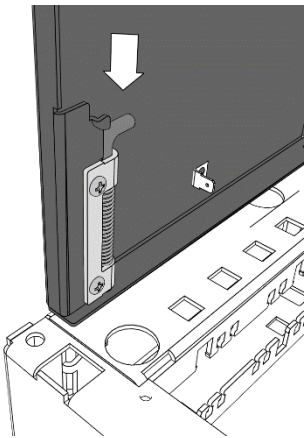
Step 2



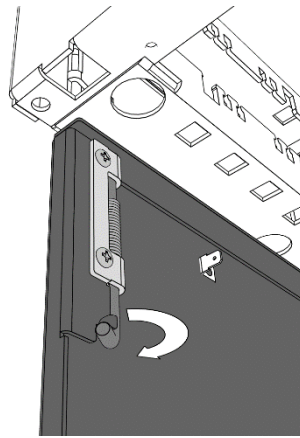
Step 3



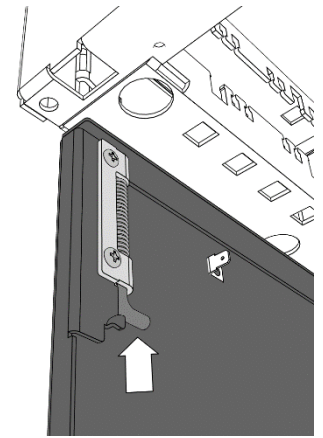
Step 4



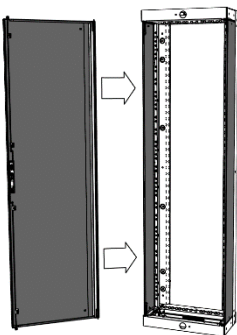
Step 5



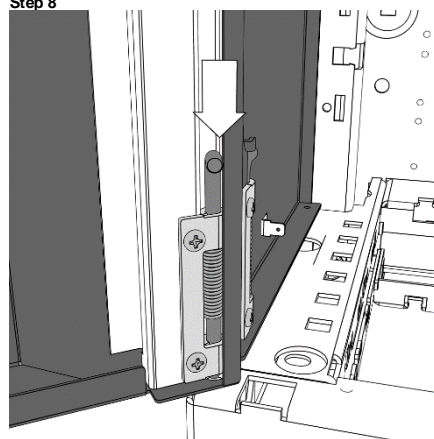
Step 6



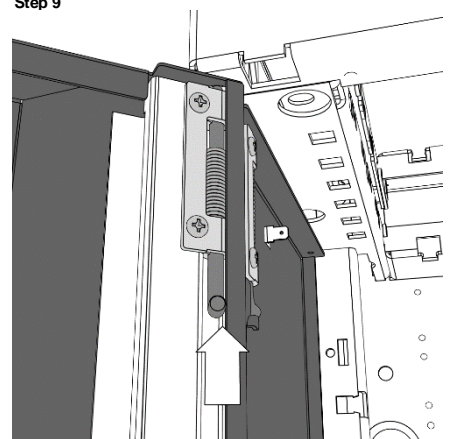
Step 7



Step 8



Step 9



Step 10

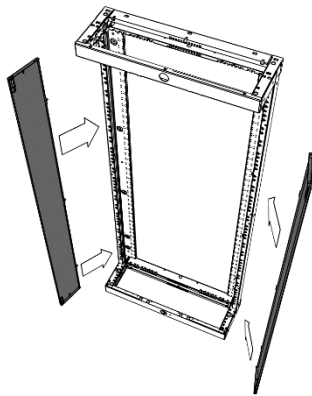


Step 11

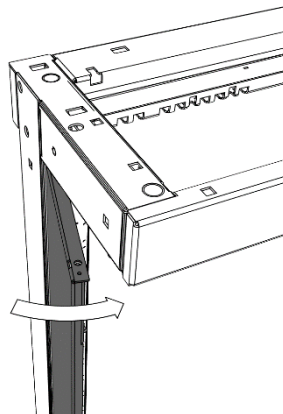


### MOUNTING OF NGR 900 SIDE PANELS AND DOORS

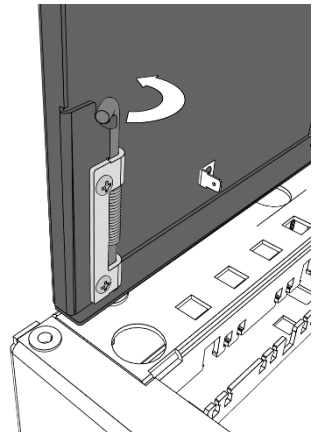
Step 1



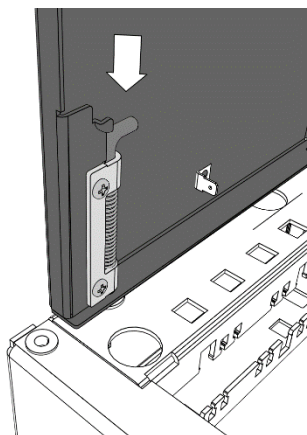
Step 2



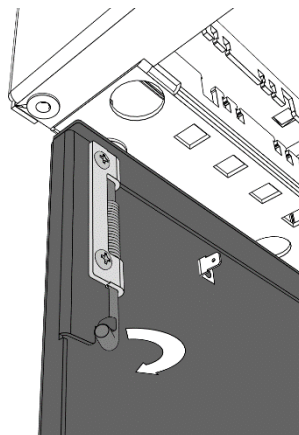
Step 3



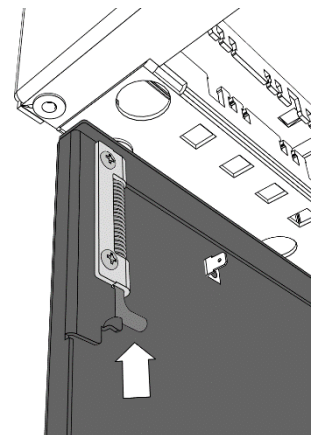
Step 4



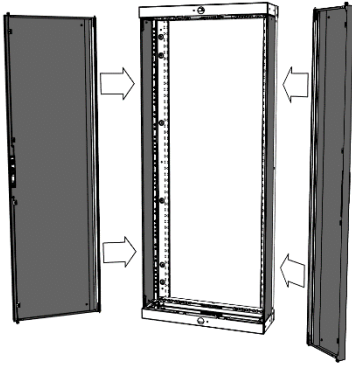
Step 5



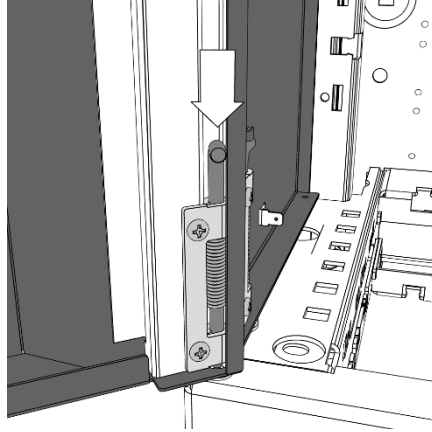
Step 6



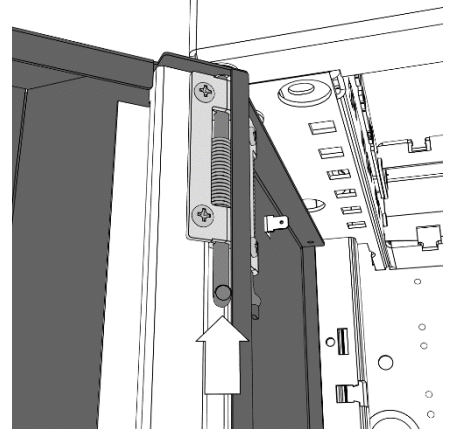
Step 7



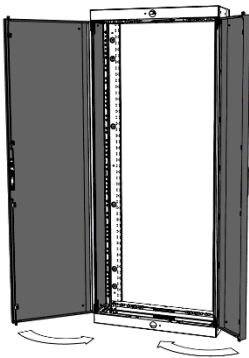
Step 8



Step 9



Step 10

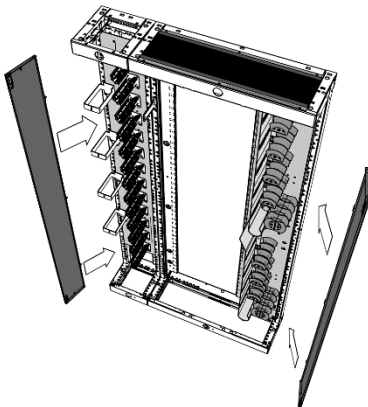


Step 11

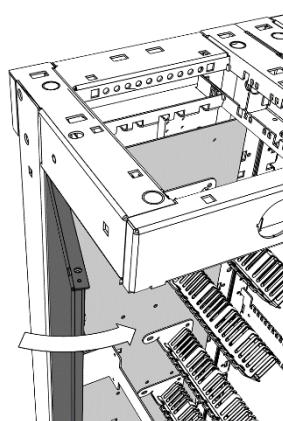


### MOUNTING OF NGR 1200 SIDE PANELS AND DOORS

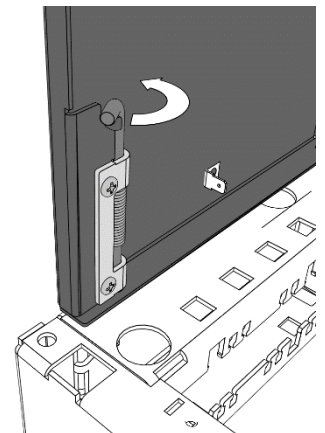
Step 1



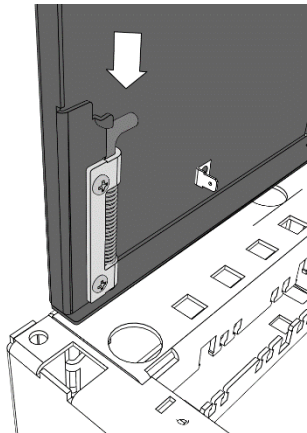
Step 2



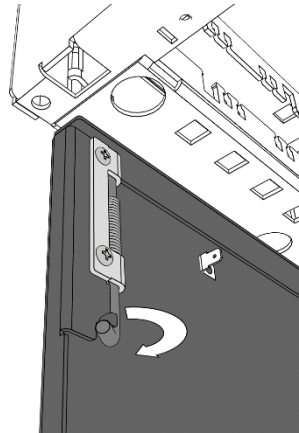
Step 3



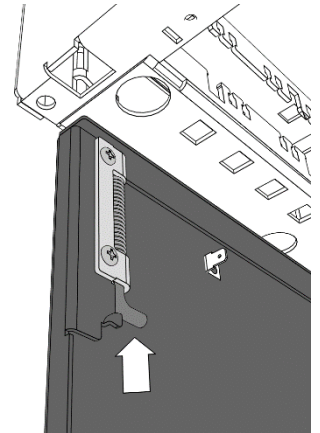
Step 4



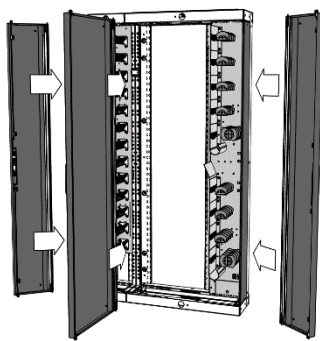
Step 5



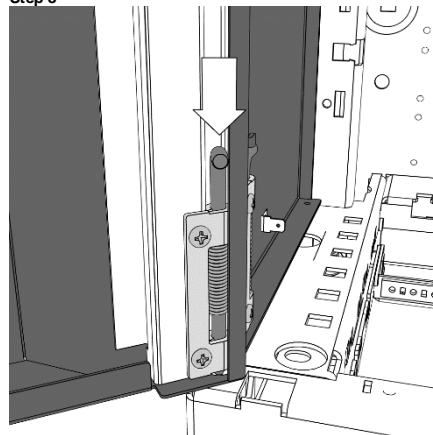
Step 6



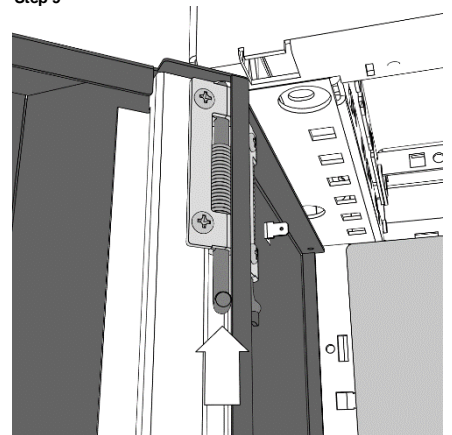
Step 7



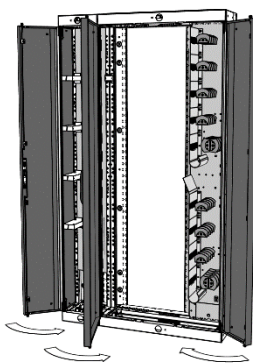
Step 8



Step 9



Step 10

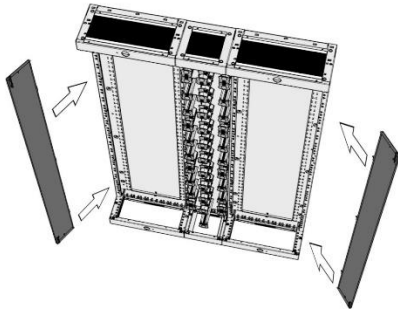


Step 11

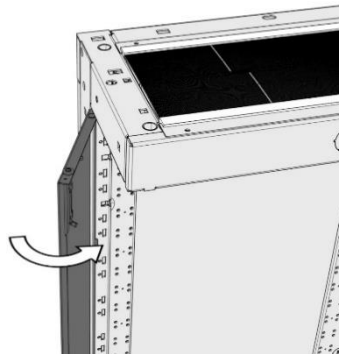


### MOUNTING OF NGR 1500 SIDE PANELS AND DOORS

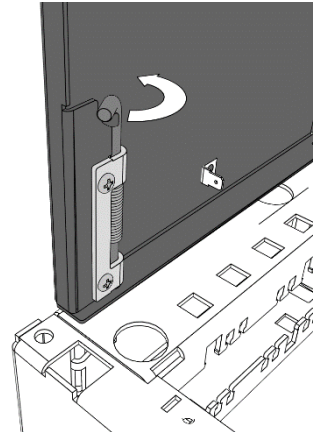
Step 1



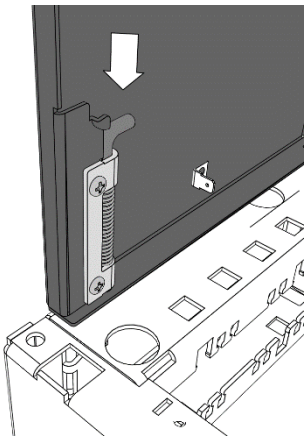
Step 2



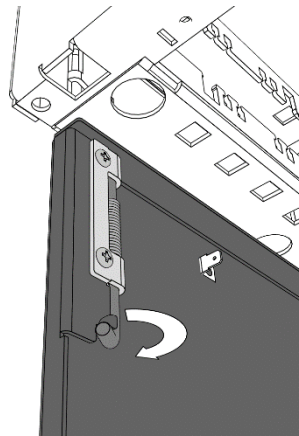
Step 3



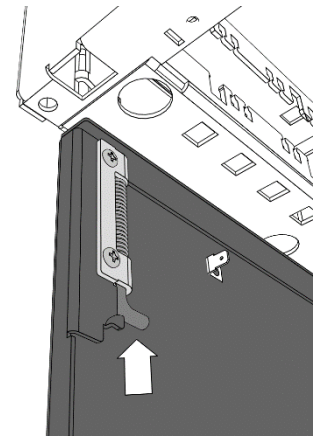
Step 4



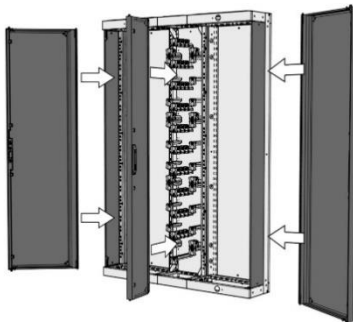
Step 5



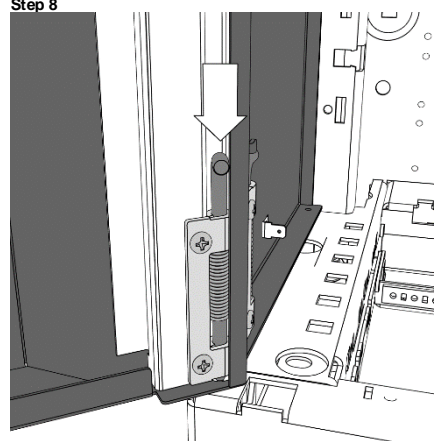
Step 6



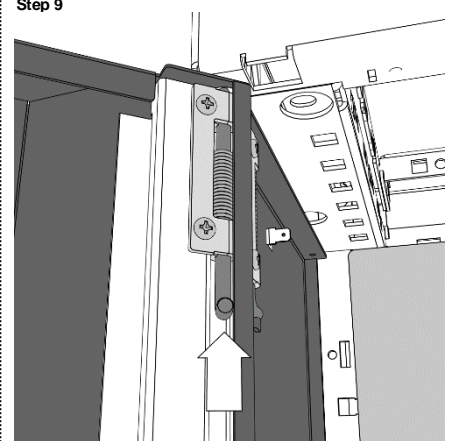
Step 7



Step 8

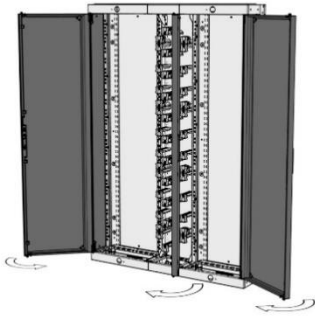


Step 9





Step 10

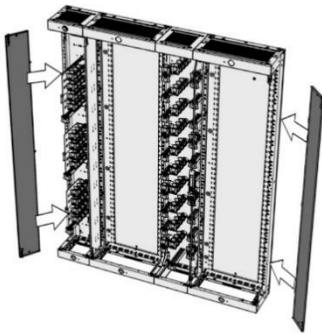


Step 11

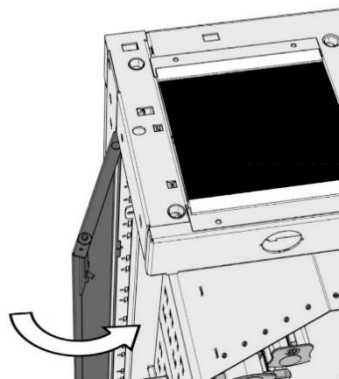


### MOUNTING OF NGR 1800 SIDE PANELS AND DOORS

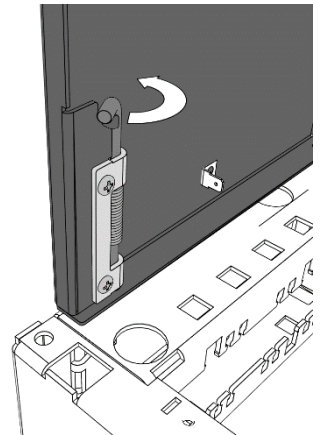
Step 1



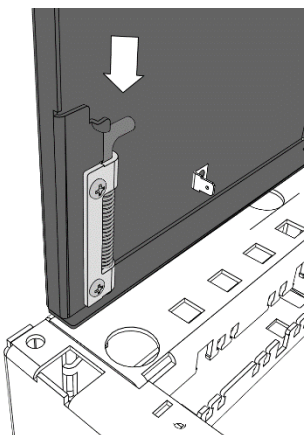
Step 2



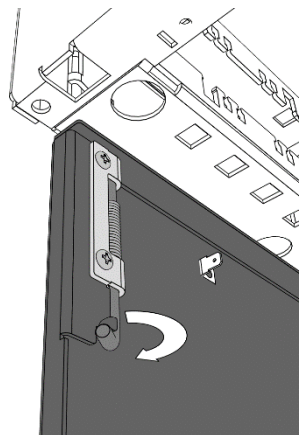
Step 3



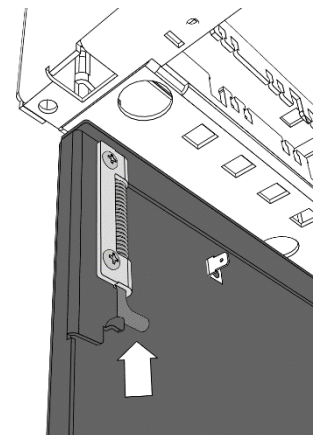
Step 4



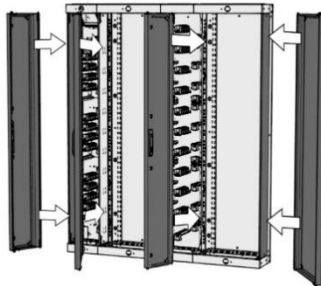
Step 5



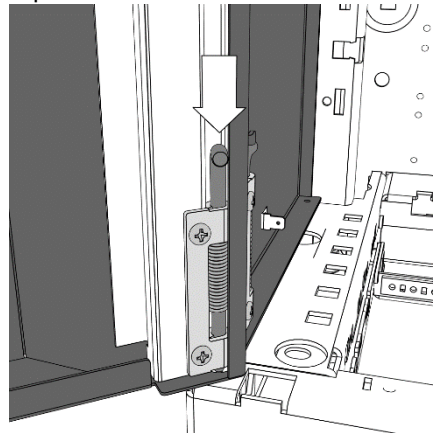
Step 6



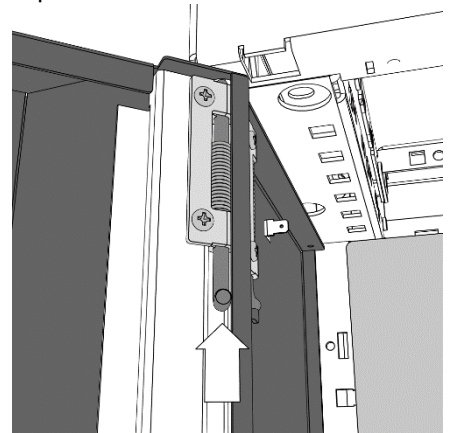
Step 7



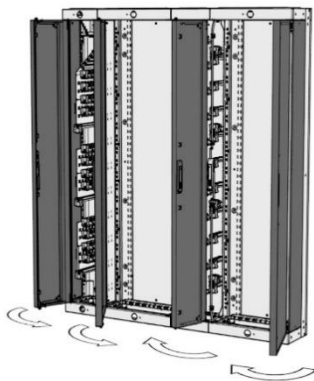
Step 8



Step 9



Step 10

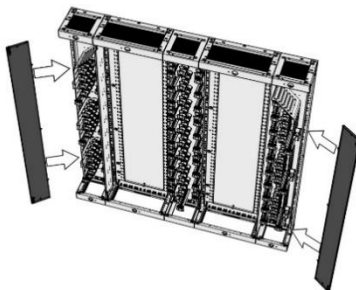


Step 11

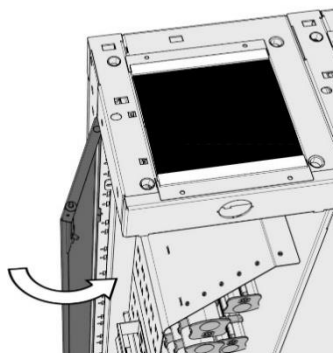


**MOUNTING OF NGR 2100 SIDE PANELS AND DOORS**

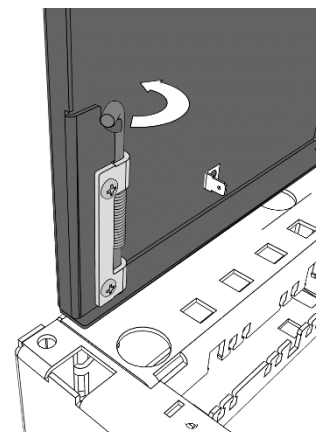
Step 1



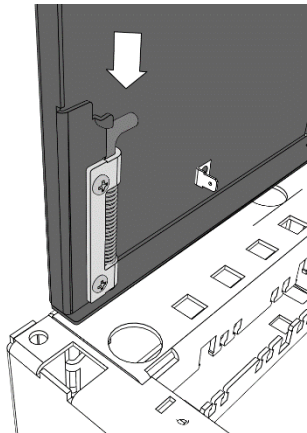
Step 2



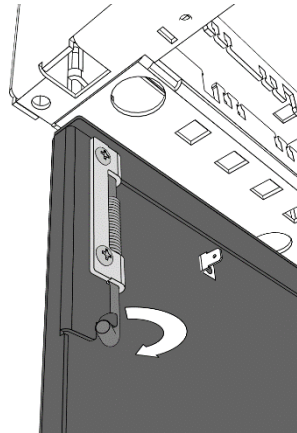
Step 3



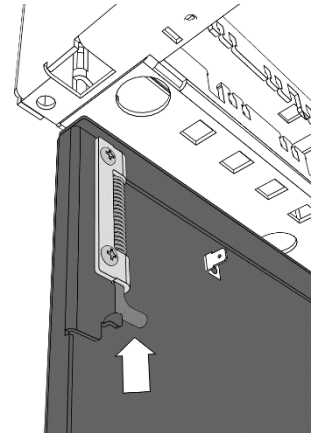
Step 4



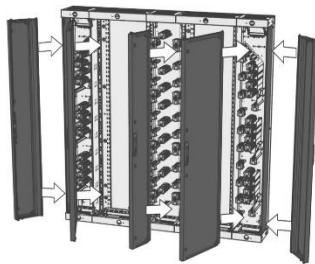
Step 5



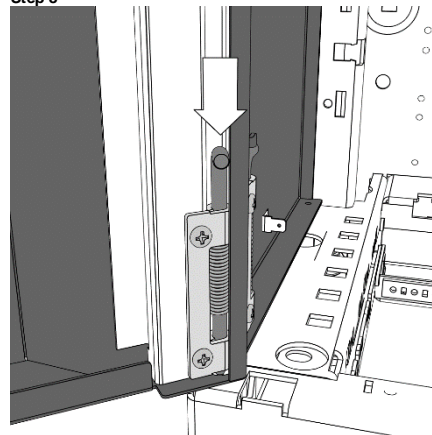
Step 6



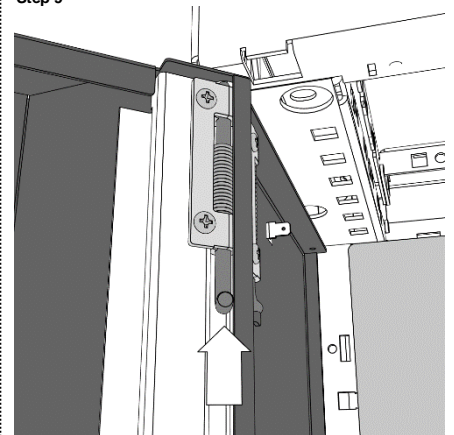
Step 7



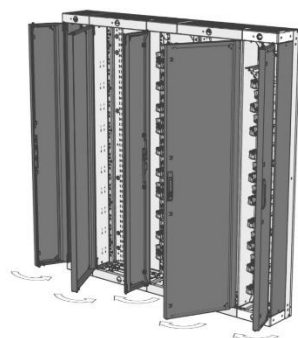
Step 8



Step 9



Step 10



Step 11

