

INSTALLATION MANUAL

HUBER+SUHNER AG
Fiber Optics
Fiber Management Systems
DOC-0000835076 Rev D
Date: 02.05.2023

Page 1 of 14

IANOS standard chassis

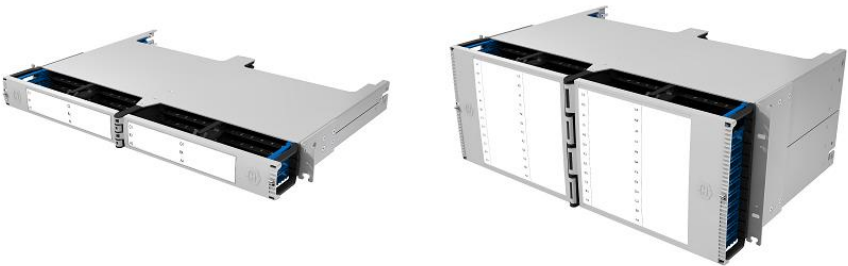


TABLE OF CONTENTS

CHASSIS TYPES	2
ACCESSORIES	2
UNPACKING IANOS CHASSIS 1U OR 4U	4
INSTALL IANOS 1U OR 4U CHASSIS IN RACK	5
REAR CABLE MANAGER FOR 1U AND 4U (OPTIONAL)	6
FRONT CABLE MANAGER FOR 1U AND 4U (OPTIONAL)	8
REAR LAYER CABLE MANAGER FOR 1U CHASSIS (OPTIONAL)	9
REAR LAYER CABLE MANAGER FOR 4U CHASSIS (OPTIONAL)	10
REAR TIE-OFF CABLE MANAGER FOR 1U AND 4U (OPTIONAL)	10
CHANGE OF CHASSIS LAYER LABELING	11
CHASSIS SELF-PRINTED LABELING FOR 1U AND 4U	12
APPLICATION: ALL CABLES FROM THE SAME SIDE (OPTIONAL)	13
EARTHING SET (OPTIONAL)	14

CHASSIS TYPES

IANOS standard chassis 1U



IANOS standard chassis 4U



IANOS Lite*



* Dedicated Installation manual of IANOS Lite is filed under document number: DOC-0000780764

ACCESSORIES

1U Front Cable Manager for 800 mm wide racks



4U Front Cable Manager for 800 mm wide racks



1U Rear Cable Manager for 800 mm wide racks



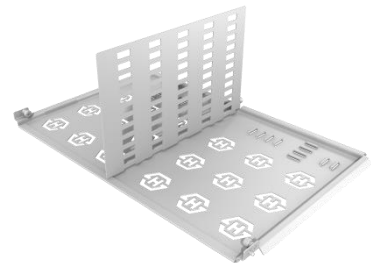
4U Rear Cable Manager for 800 mm wide racks



Rear Tray Cable Manager 1U



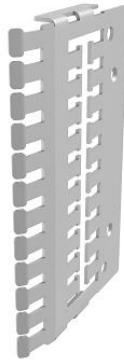
Rear Tray Cable Manager 4U



Rear Tie-off Cable Manager 1U



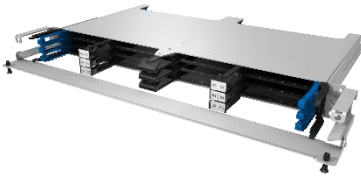
Rear Tie-off Cable Manager 4U



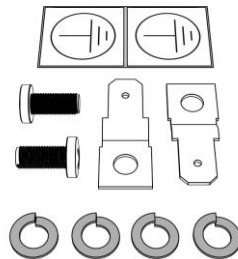
Layer clip



Retrofit labelling door



Earthing set

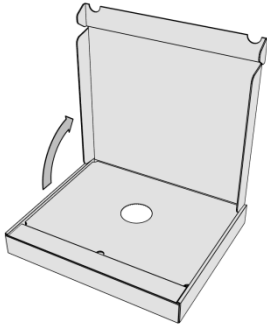


For further information please visit our homepage

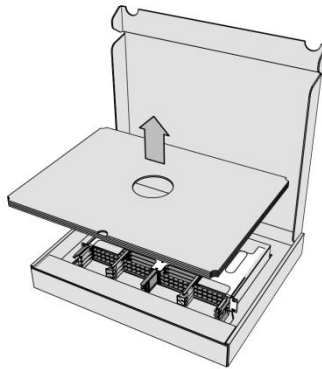


UNPACKING IANOS CHASSIS 1U OR 4U

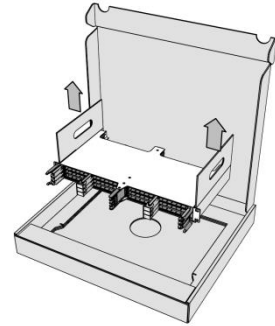
Step 1



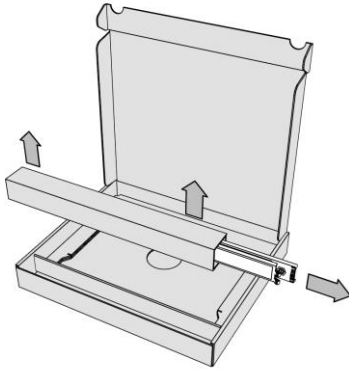
Step 2



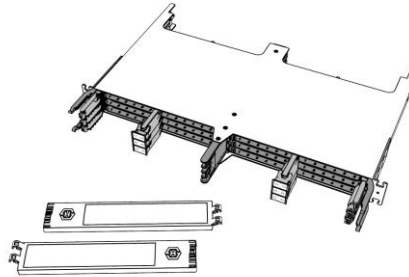
Step 3



Step 4

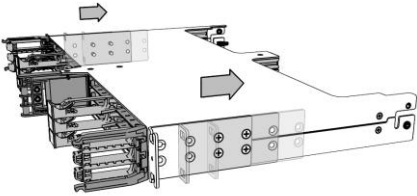


Step 5

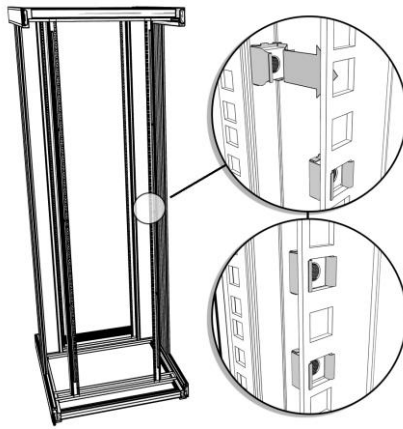


INSTALL IANOS 1U OR 4U CHASSIS IN RACK

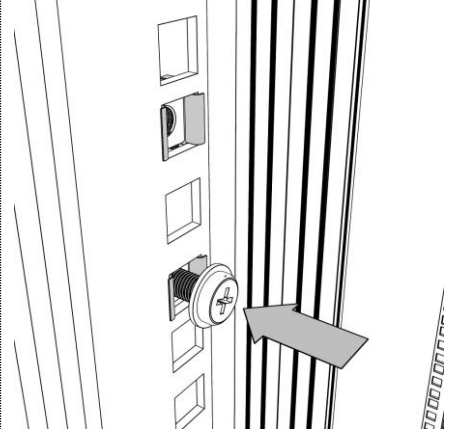
Step 6



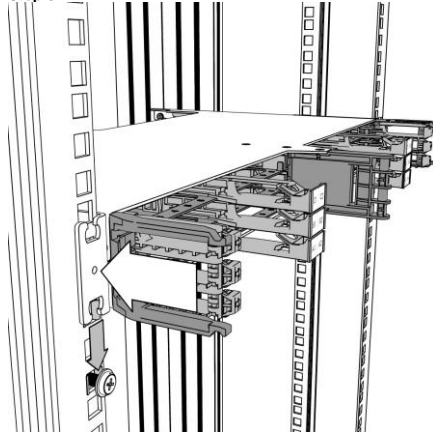
Step 7



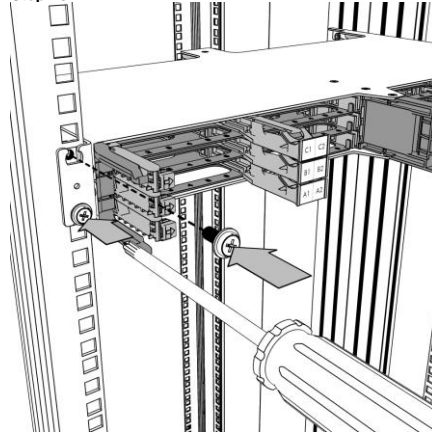
Step 8



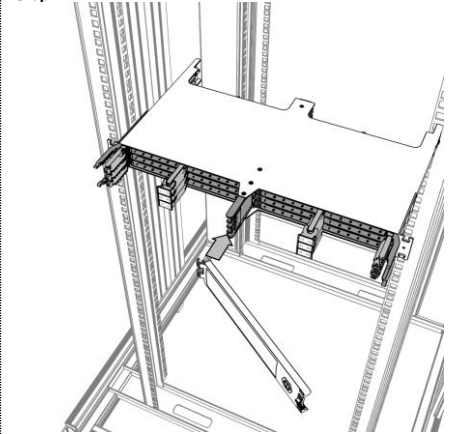
Step 9



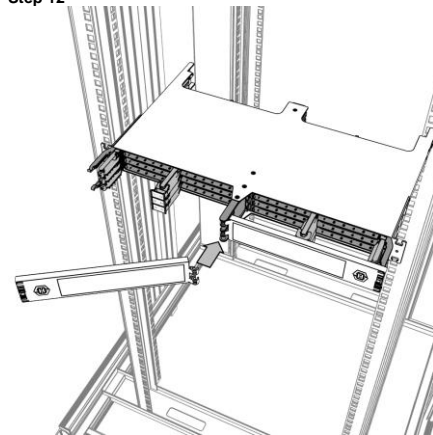
Step 10



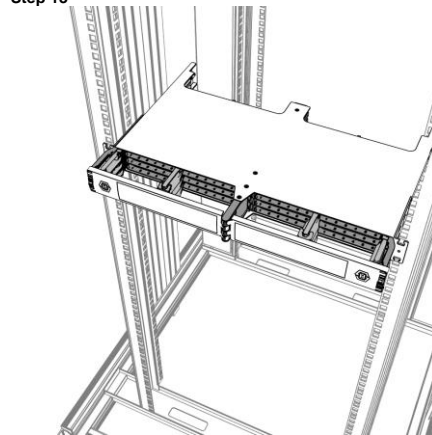
Step 11



Step 12

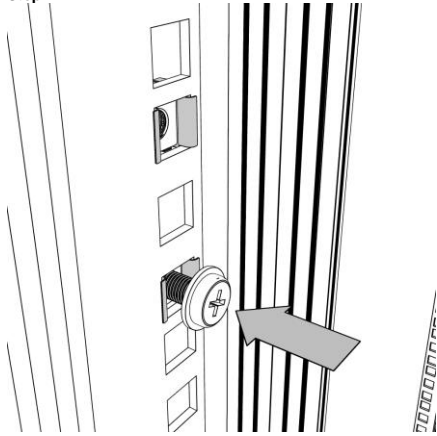


Step 13

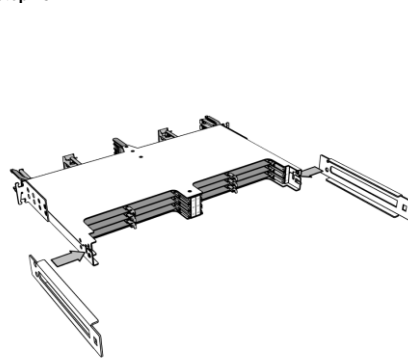


REAR CABLE MANAGER FOR 1U AND 4U (OPTIONAL)

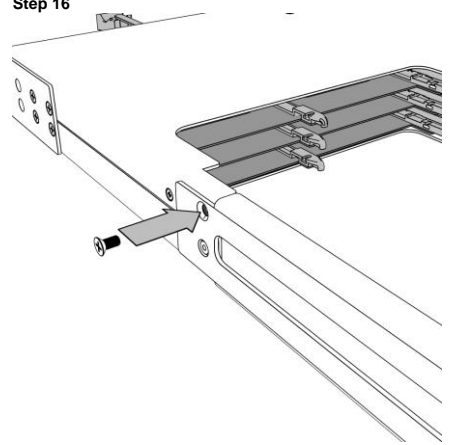
Step 14



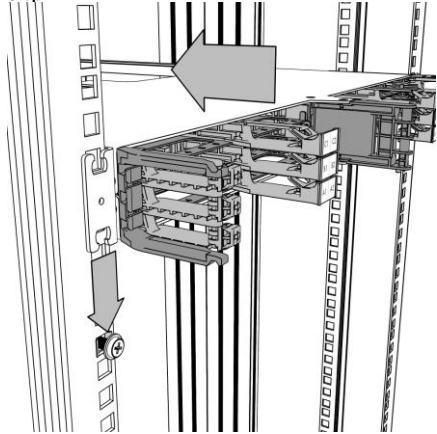
Step 15



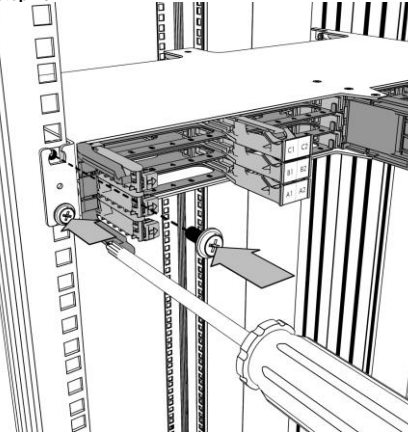
Step 16



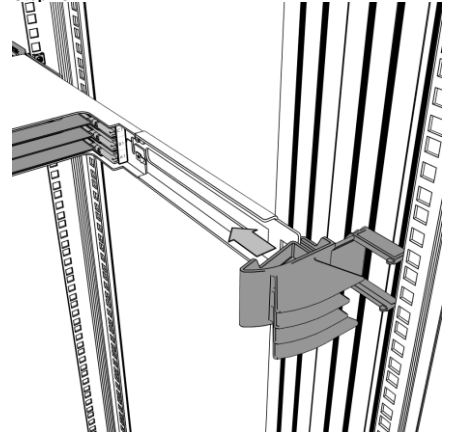
Step 17



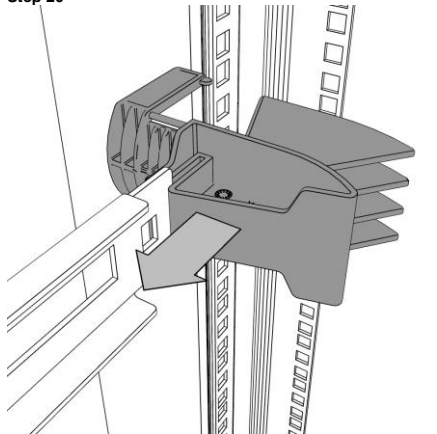
Step 18



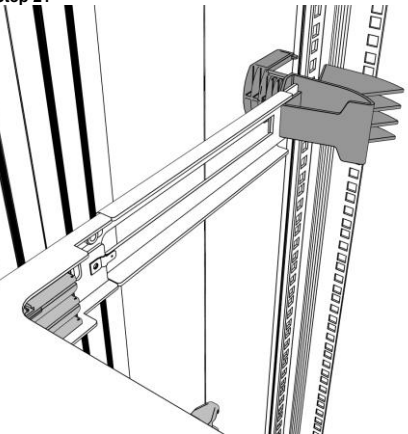
Step 19



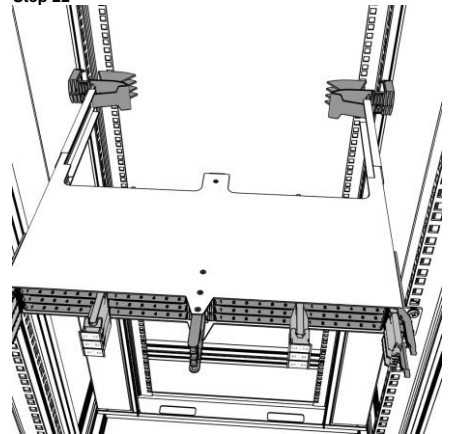
Step 20

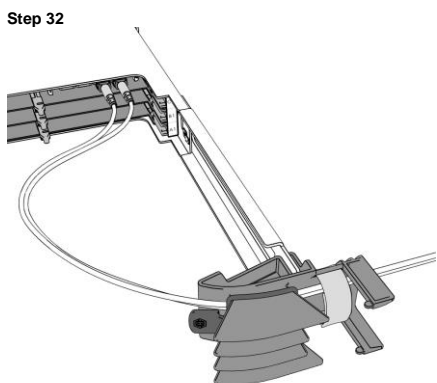
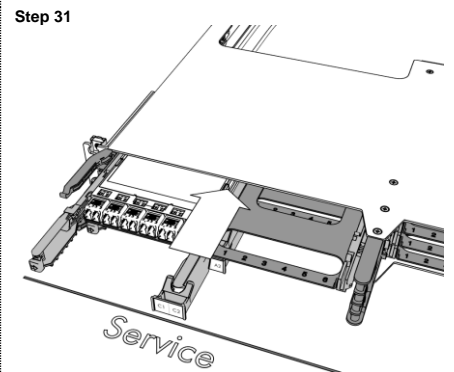
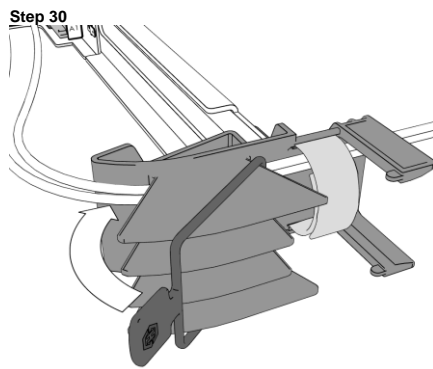
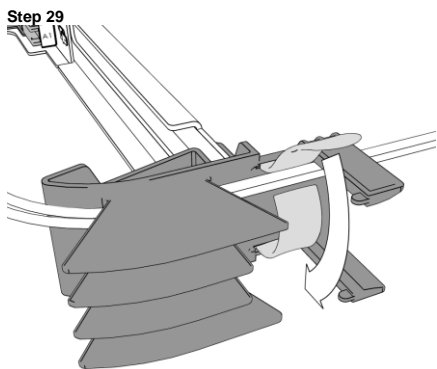
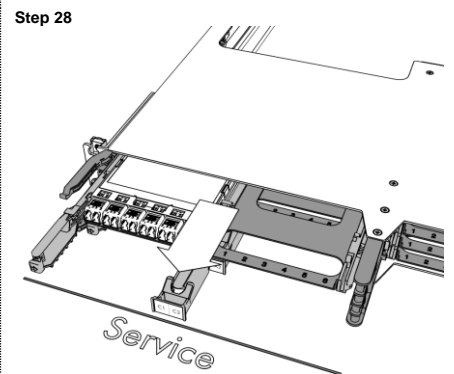
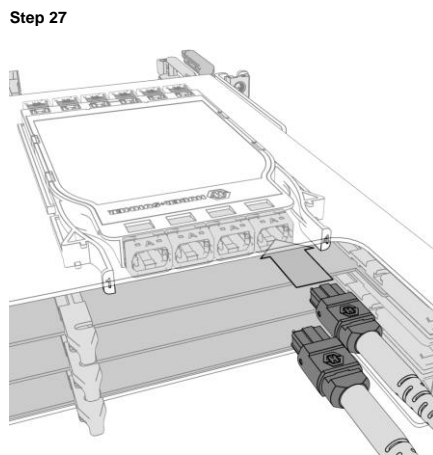
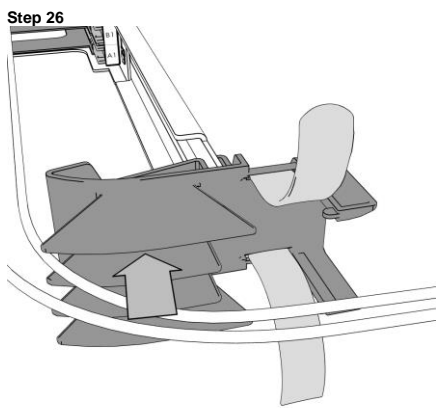
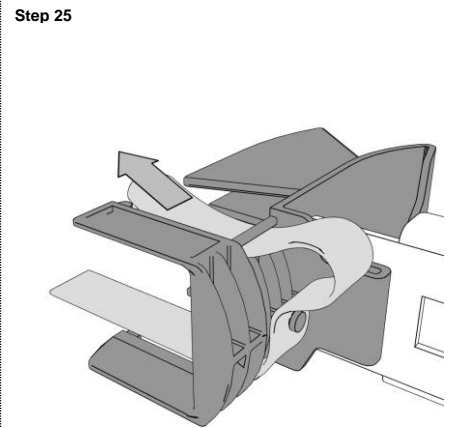
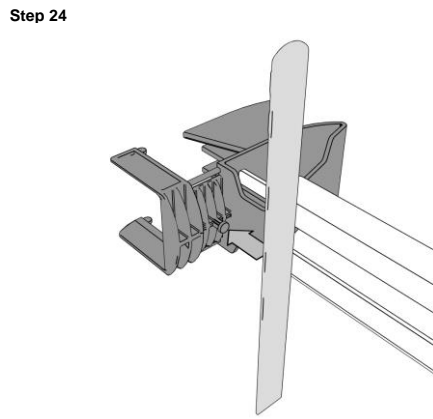
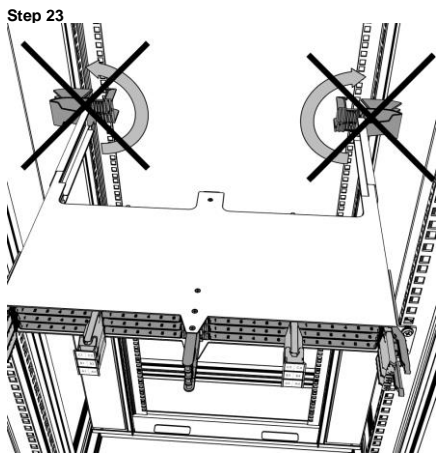


Step 21



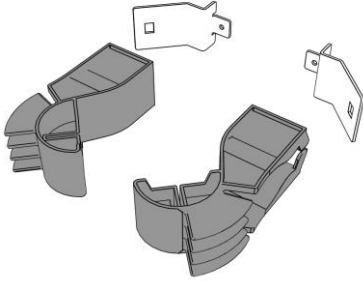
Step 22



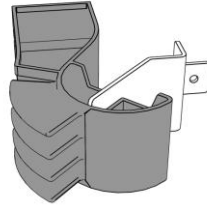


FRONT CABLE MANAGER FOR 1U AND 4U (OPTIONAL)

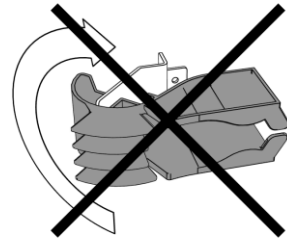
Step 33



Step 34

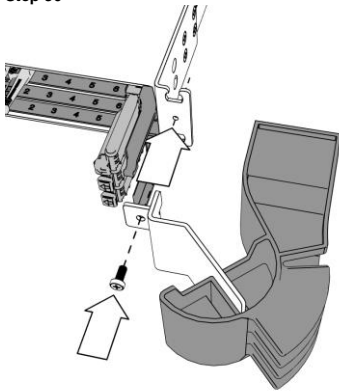


Step 35

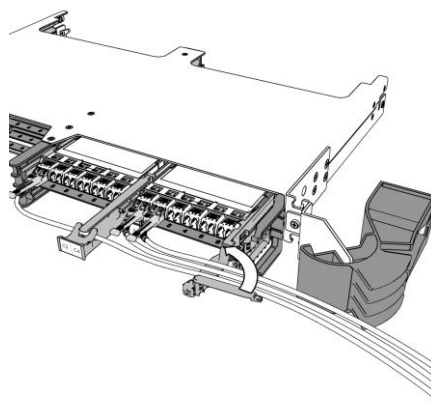


CLICK!

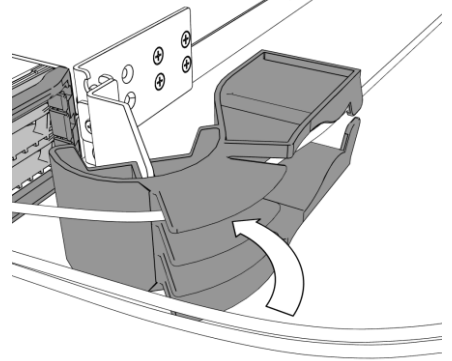
Step 36



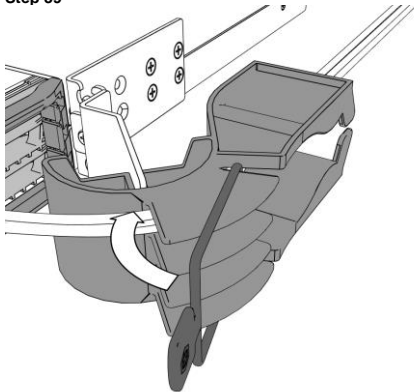
Step 37



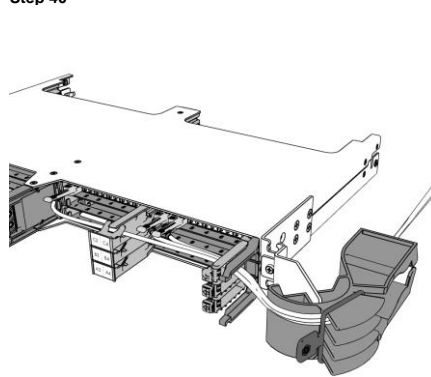
Step 38



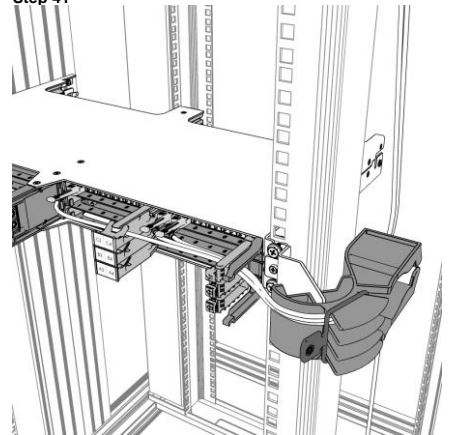
Step 39



Step 40

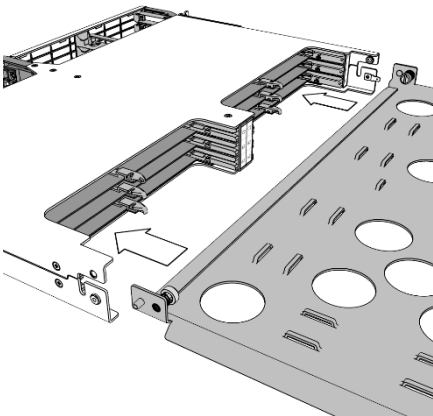


Step 41

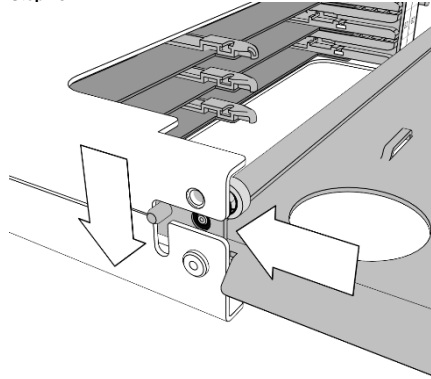


REAR LAYER CABLE MANAGER FOR 1U CHASSIS (OPTIONAL)

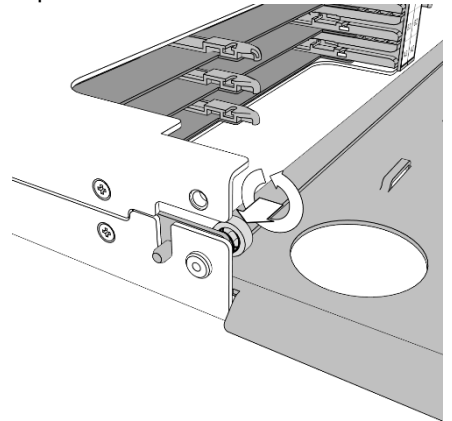
Step 42



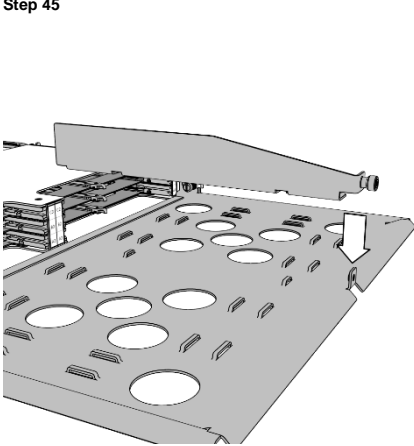
Step 43



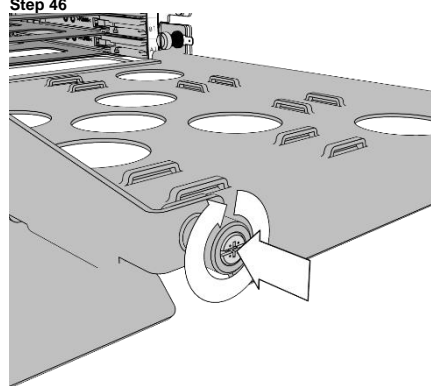
Step 44



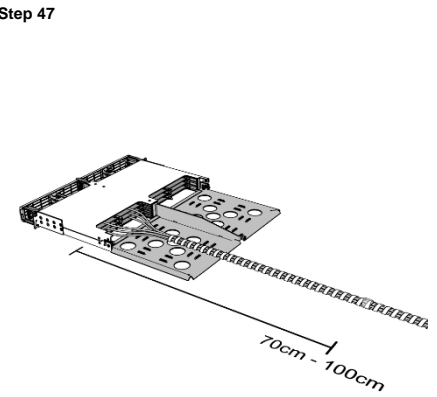
Step 45



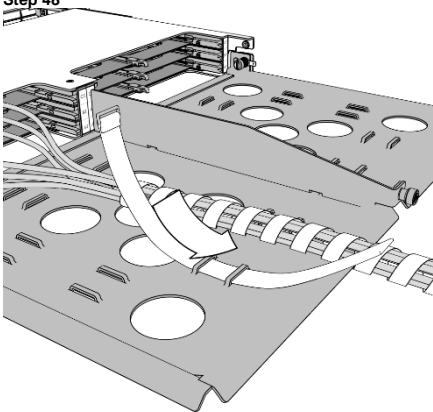
Step 46



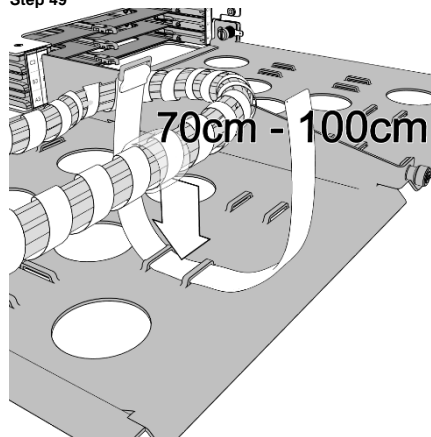
Step 47



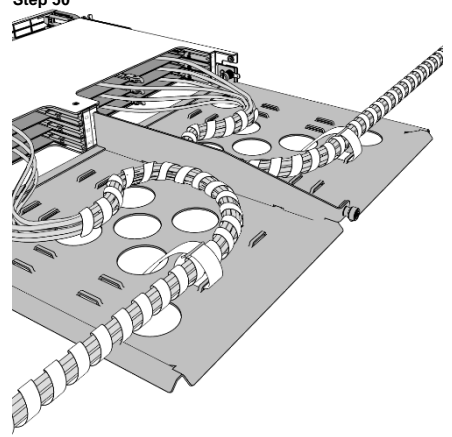
Step 48



Step 49

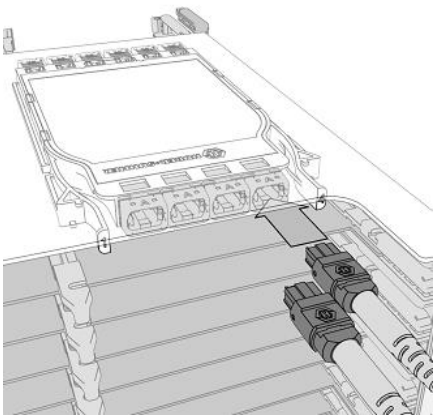


Step 50

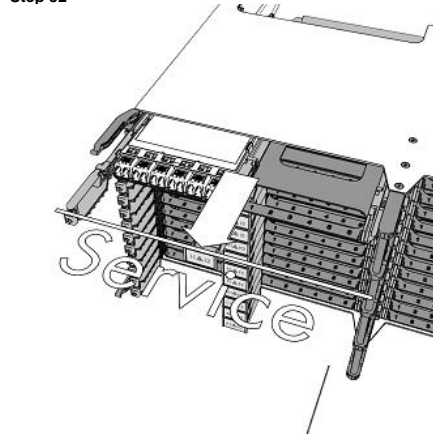


REAR LAYER CABLE MANAGER FOR 4U CHASSIS (OPTIONAL)

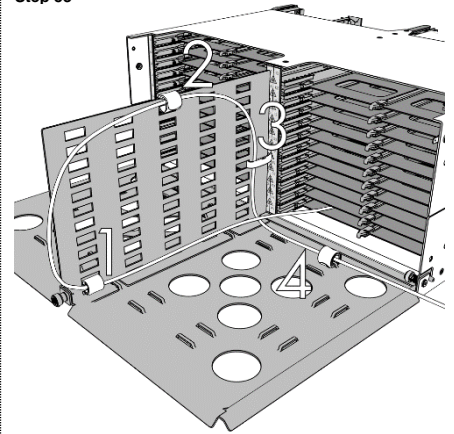
Step 51



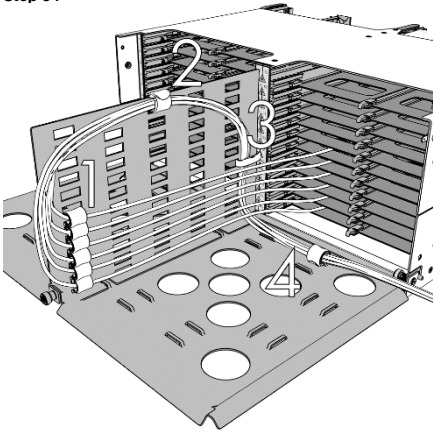
Step 52



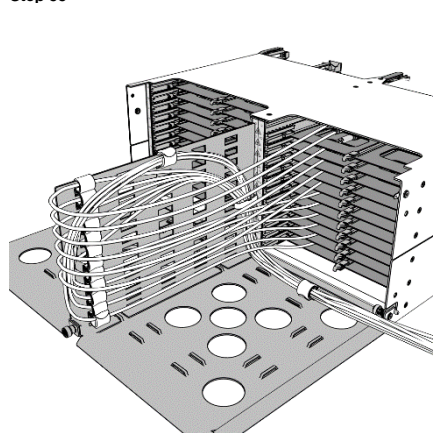
Step 53



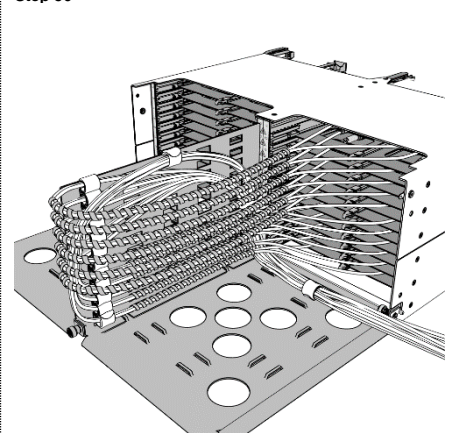
Step 54



Step 55

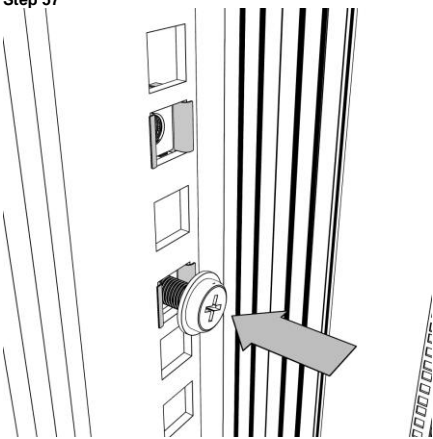


Step 56

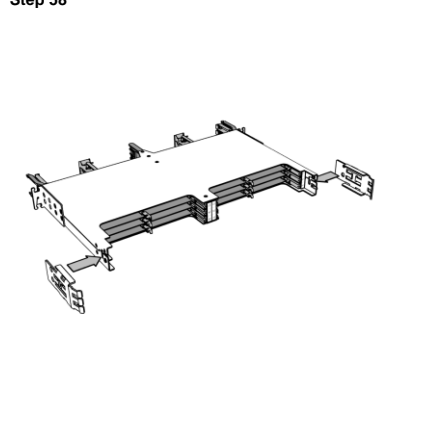


REAR TIE-OFF CABLE MANAGER FOR 1U AND 4U (OPTIONAL)

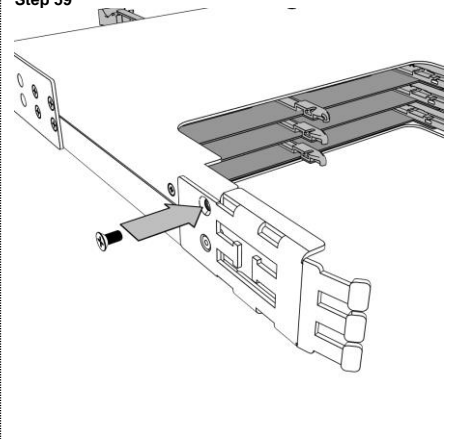
Step 57



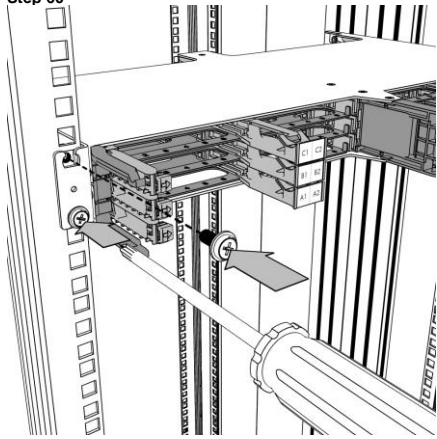
Step 58



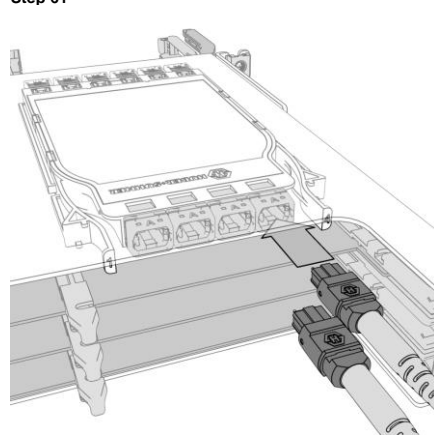
Step 59



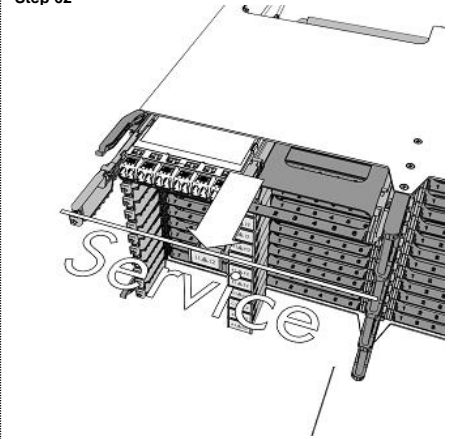
Step 60



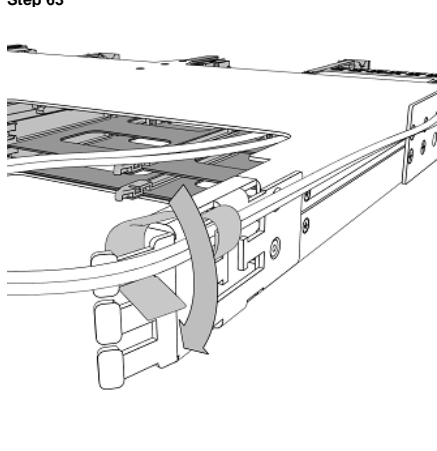
Step 61



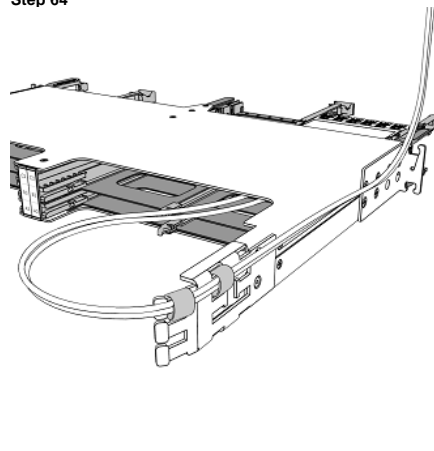
Step 62



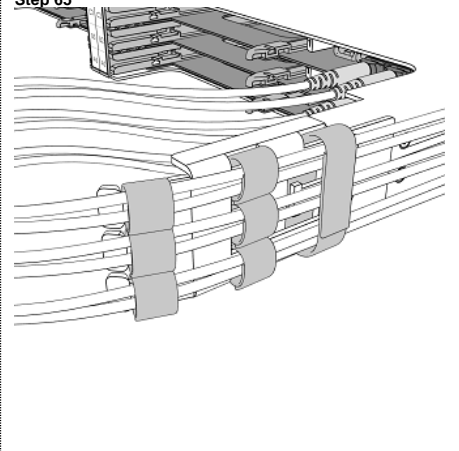
Step 63



Step 64

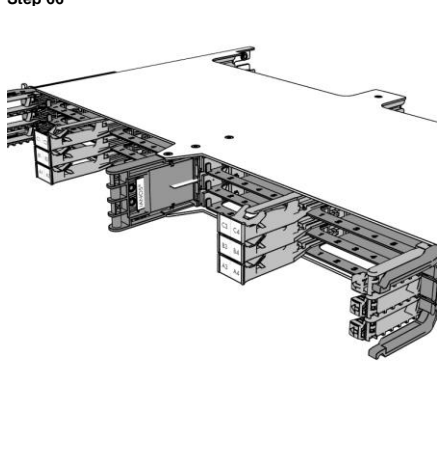


Step 65

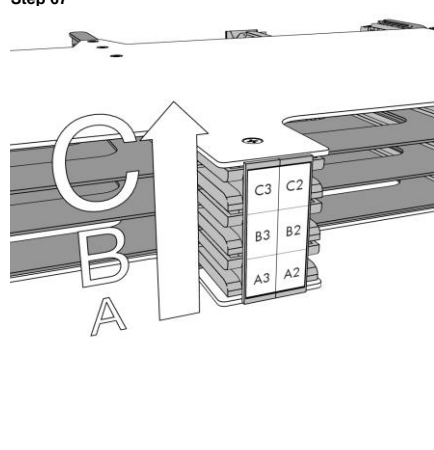


CHANGE OF CHASSIS LAYER LABELING

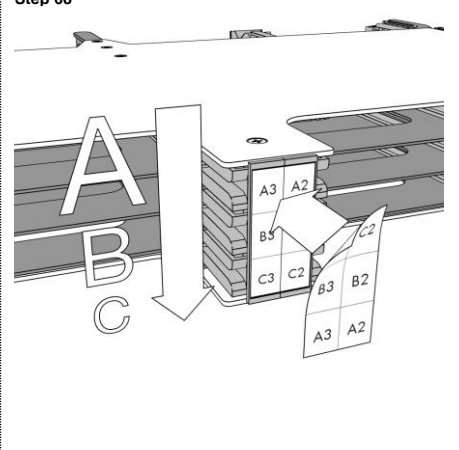
Step 66



Step 67

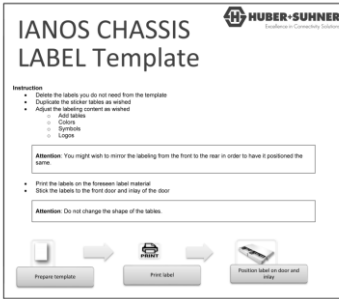


Step 68



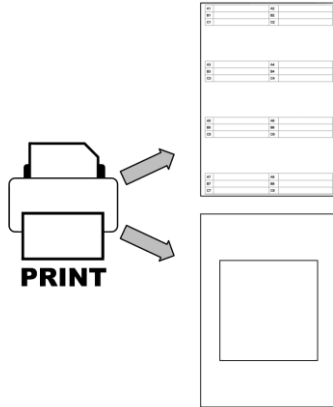
CHASSIS SELF-PRINTED LABELING FOR 1U AND 4U

Step 69



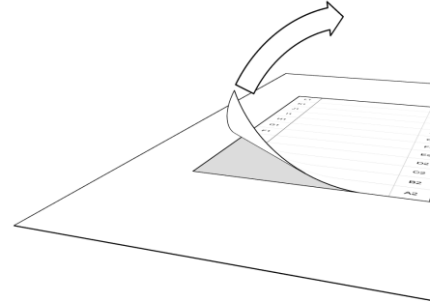
Prepare Template DOC-0000811159 as wished

Step 70

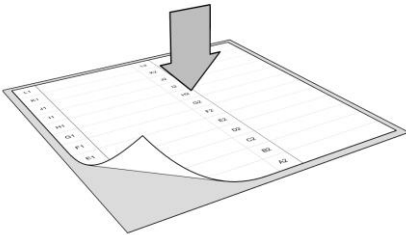


Print Label on supplied paper

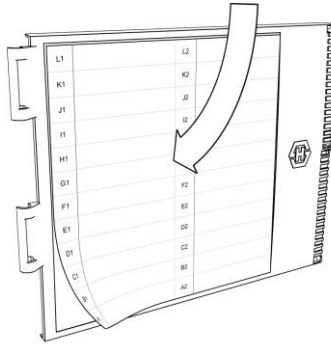
Step 71



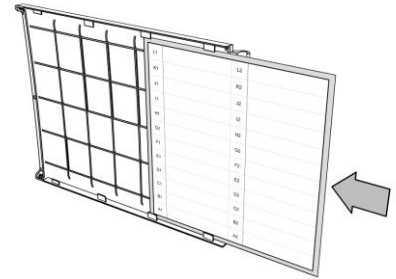
Step 72



Step 73

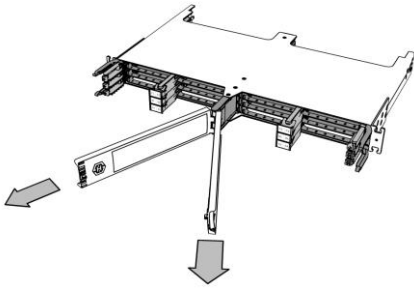


Step 74

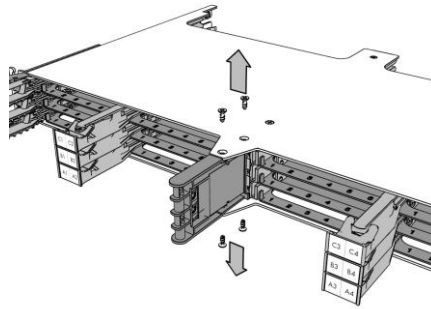


APPLICATION: ALL CABLES FROM THE SAME SIDE (OPTIONAL)

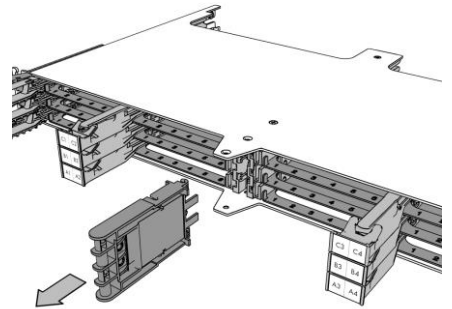
Step 75



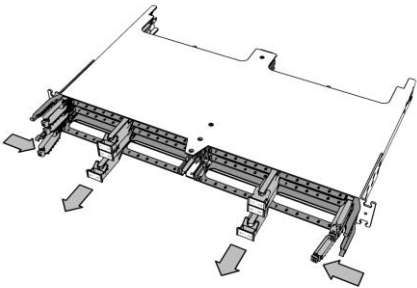
Step 76



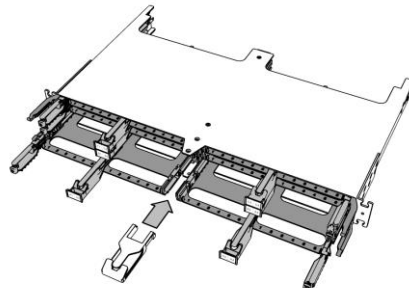
Step 77



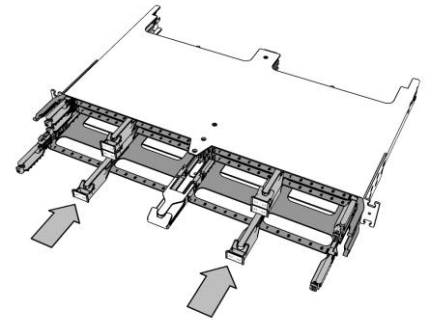
Step 78



Step 79

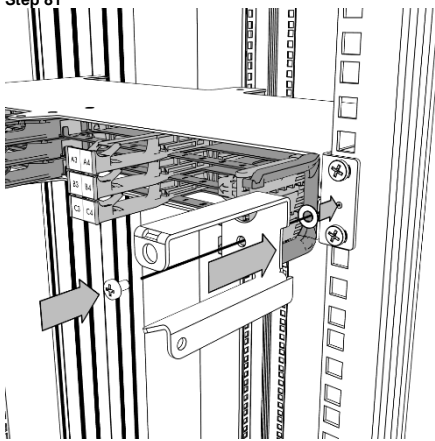


Step 80

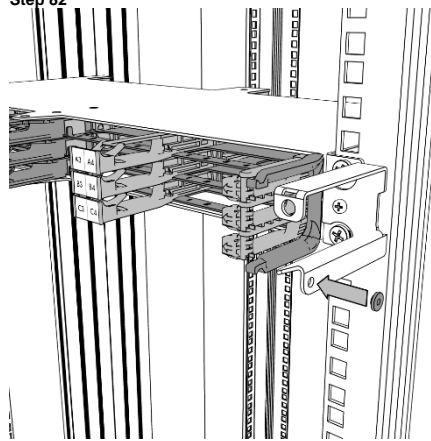


ATTENTION: Click in clip

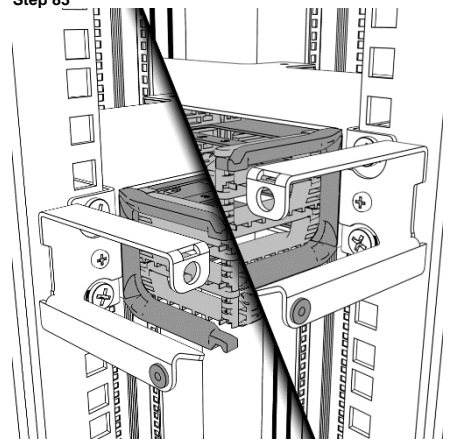
Step 81



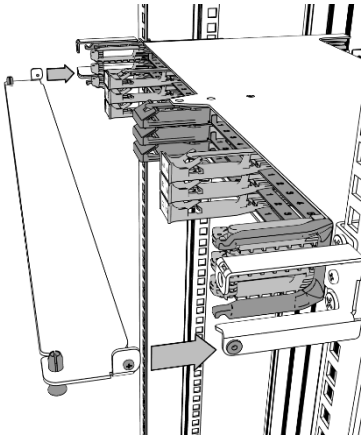
Step 82



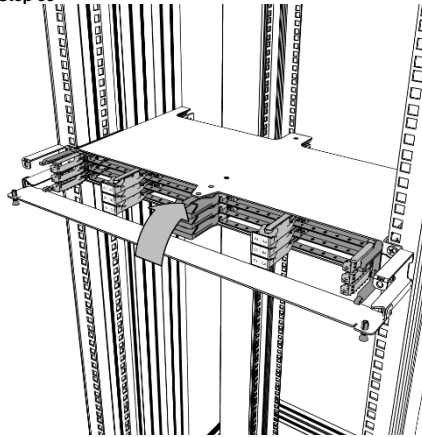
Step 83



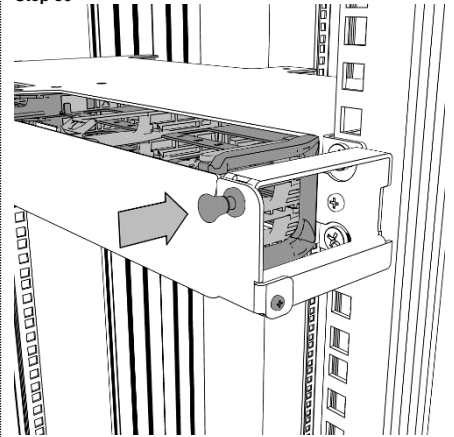
Step 84



Step 85

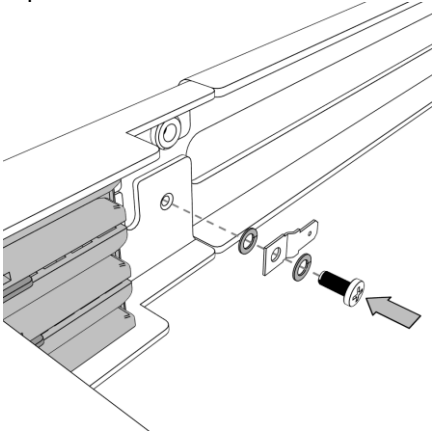


Step 86

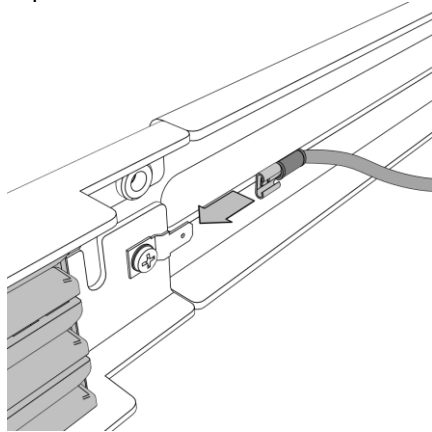


EARTHING SET (OPTIONAL)

Step 87



Step 88



Step 89

