

INSTALLATION MANUAL

HUBER+SUHNER AG
Fiber Optics
Fiber Management Systems
DOC-0000719356 Rev G
Date: 20/12/2018

Page 1 of 35

CDR – Cable Distribution Rack

Table of contents

• REQUIRED TOOLS	1
• REMOVAL OF DOORS AND SIDE PANELS	2
• CHANGE OF COVERS ON THE BACK	3
• MOUNTING OF CDR300 ON A FIXED FLOOR– CONCRETE FIXATION	4
• MOUNTING OF CDR300 ON A RAISED FLOOR	5
• MOUNTING OF CDR600 ON A FIXED FLOOR – CONCRETE FIXATION	8
• MOUNTING OF CDR600 ON A RAISED FLOOR	10
• MOUNTING OF CDR900 ON A FIXED FLOOR – CONCRETE FIXATION	12
• MOUNTING OF CDR900 ON A RAISED FLOOR	14
• MOUNTING OF CDR1200 ON A FIXED FLOOR – CONCRETE FIXATION	17
• MOUNTING OF CDR1200 ON A RAISED FLOOR	18
• ASSEMBLY OF CDR1500	21
• MOUNTING OF CDR1500 ON A FIXED FLOOR– CONCRETE FIXATION	22
• MOUNTING OF CDR1500 ON A RAISED FLOOR	24
• MOUNTING OF CAGE NUT	26
• MOUNTING OF ROUTING CHANNEL	27
• MOUNTING OF CABLE RETAINER	30
• DEMOUNTING / MOUNTING OF MANDRELS	31
• MOUNTING OF GROUNDING CABLES / EARTH KIT	31
• BAYING RACKS TOGETHER SIDE BY SIDE	32
• BAYING RACKS TOGETHER BACK TO BACK	33
• MOUNTING OF RACK AGAINST A WALL	33
• MOUNTING OF RACK TO CEILING	34
• MOUNTING OF DOORS AND SIDE PANELS	34



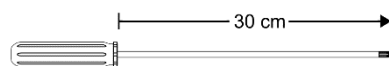
REQUIRED TOOLS

Step 1

Flat combined open-end wrench 12mm /
screwdriver 6 supplied together with rack

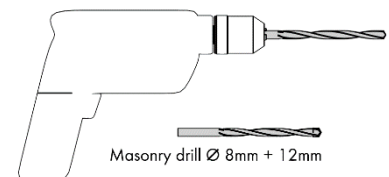


Step 2

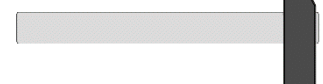
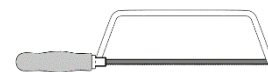


- Long PZ / Phillips #2
- PZ / Phillips #3
- Combination spanner AF= 10 mm (M6) and 17mm (M10)

Step 3



Masonry drill \varnothing 8mm + 12mm

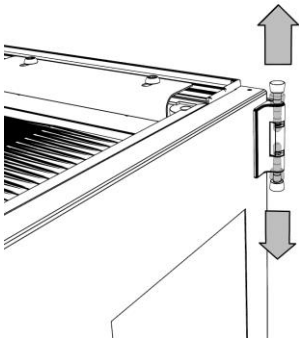


Tools for mounting CDR on a fixed or raised floor

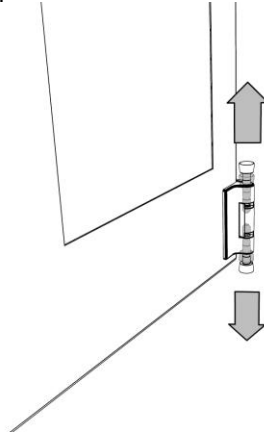
HUBER+SUHNER disclaims any liability resulting from incorrect installation and use, including any damages resulting from the use of tools and accessories other than the ones recommended herein. Any installation performed by unqualified personnel voids the product warranty provided by HUBER+SUHNER. All due care and attention must be exercised when performing the installation of these products. For advice concerning the general handling of these products please contact HUBER+SUHNER.

REMOVAL OF DOORS AND SIDE PANELS

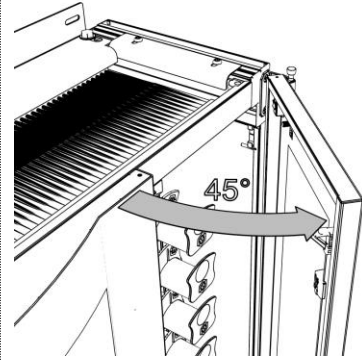
Step 1



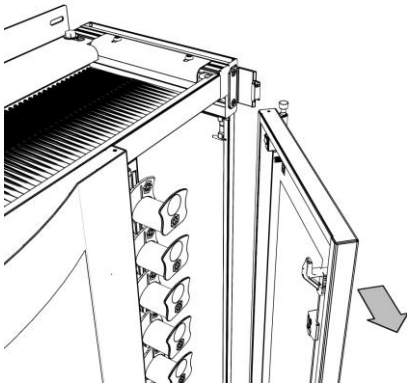
Step 2



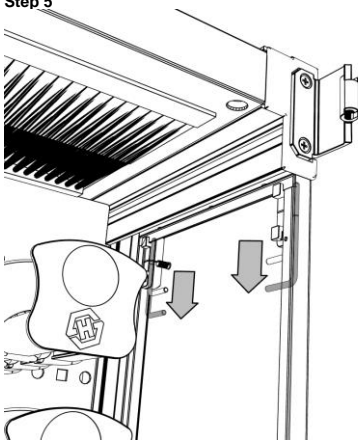
Step 3



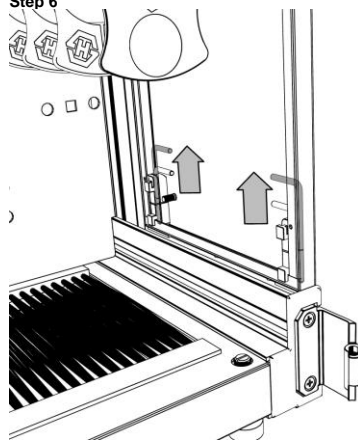
Step 4



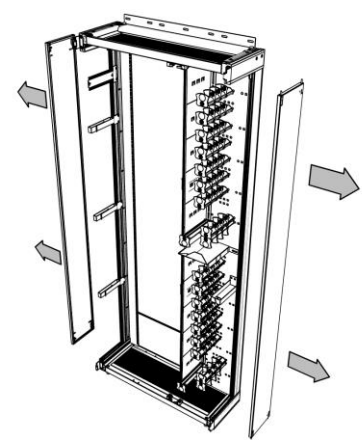
Step 5



Step 6

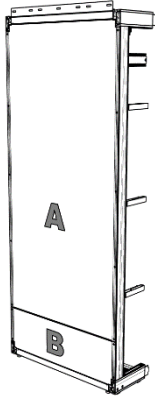


Step 7

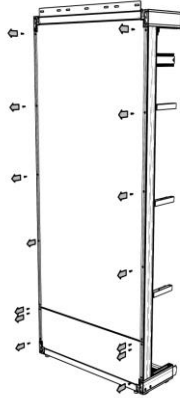


CHANGE OF COVERS ON THE BACK

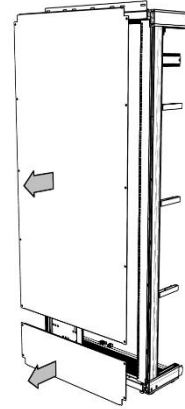
Step 1



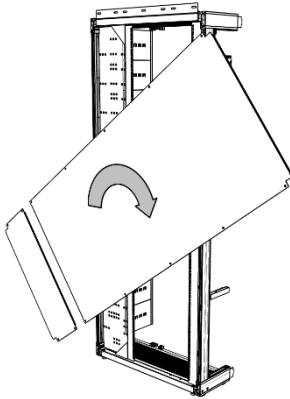
Step 2



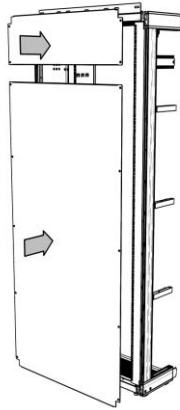
Step 3



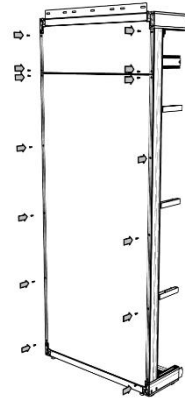
Step 4



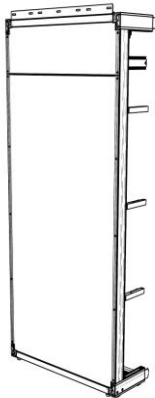
Step 5



Step 6



Step 7



Step 8



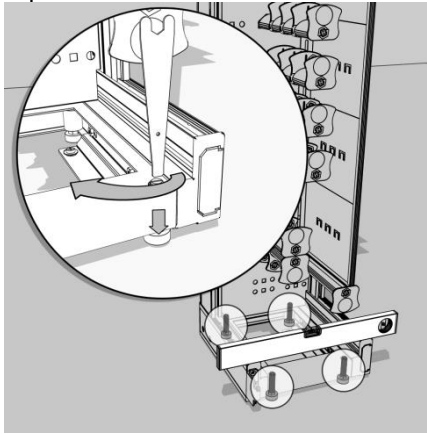
MOUNTING OF CDR300 ON A FIXED FLOOR– CONCRETE FIXATION

Step 1

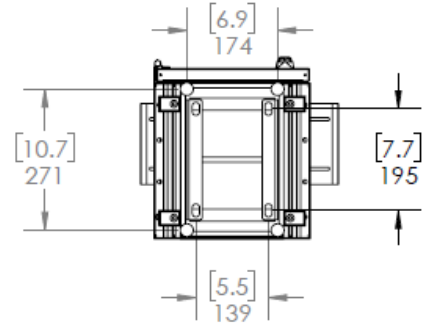


84091849

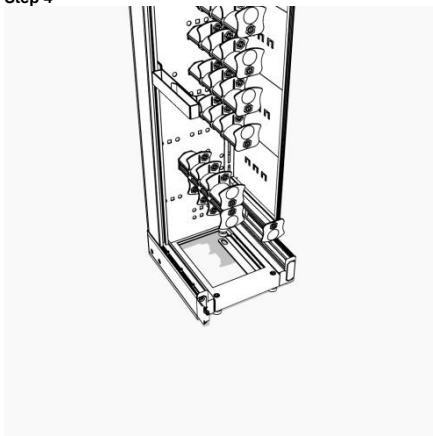
Step 2



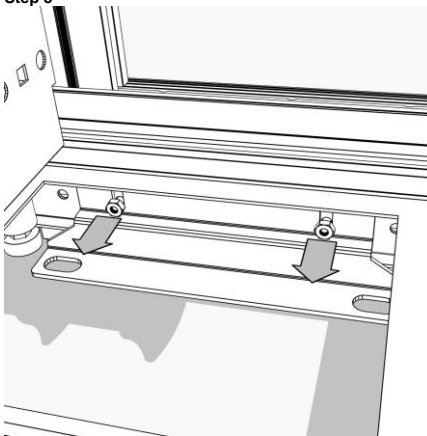
Step 3



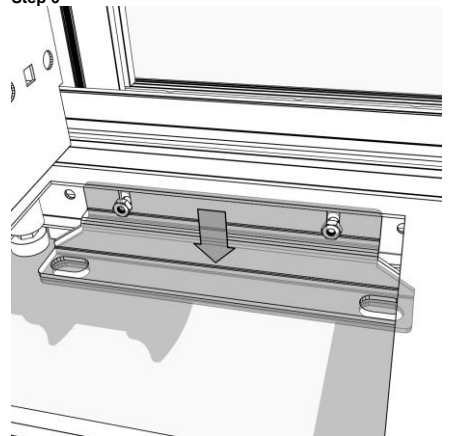
Step 4



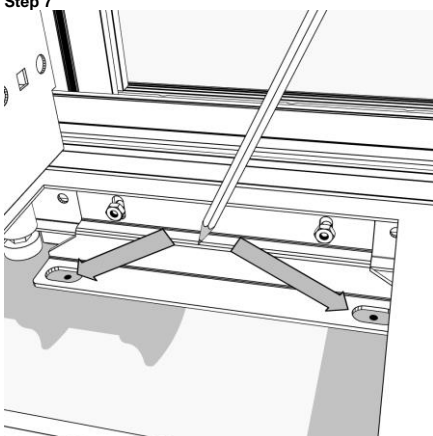
Step 5



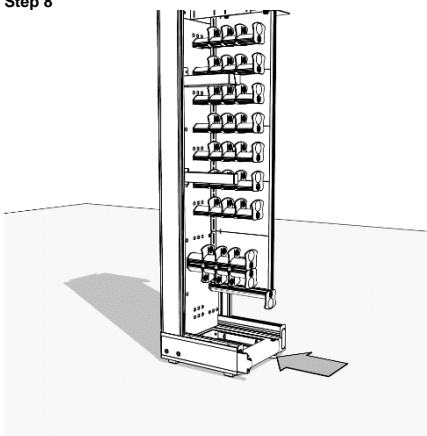
Step 6



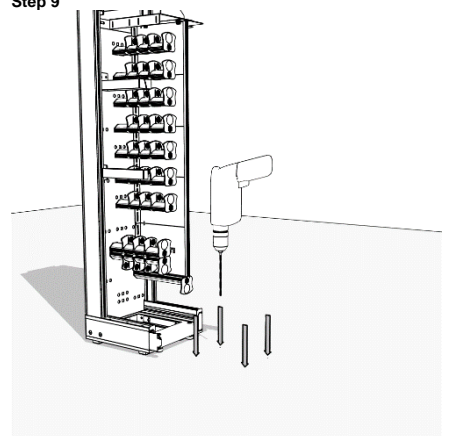
Step 7



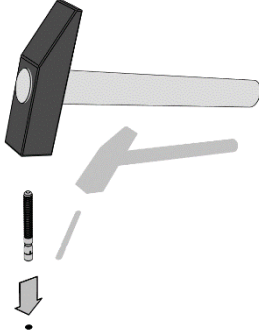
Step 8



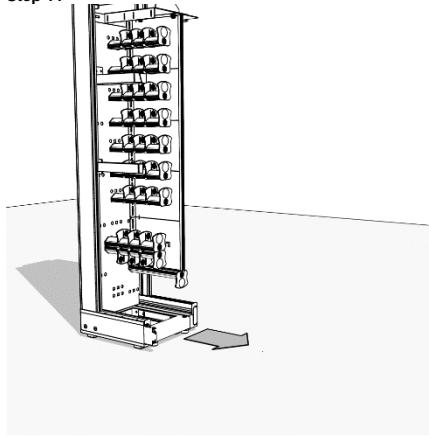
Step 9



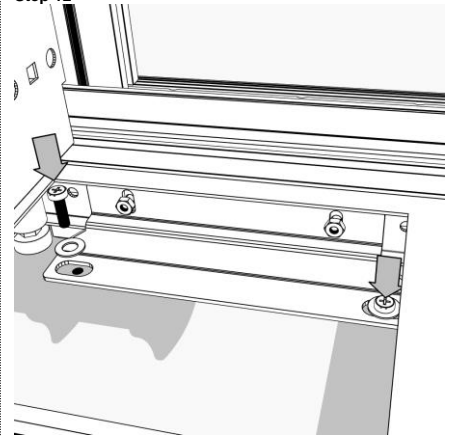
Step 10



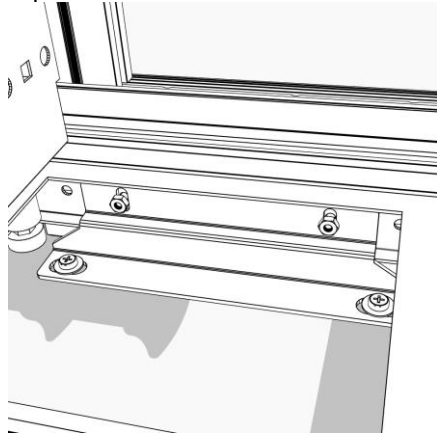
Step 11



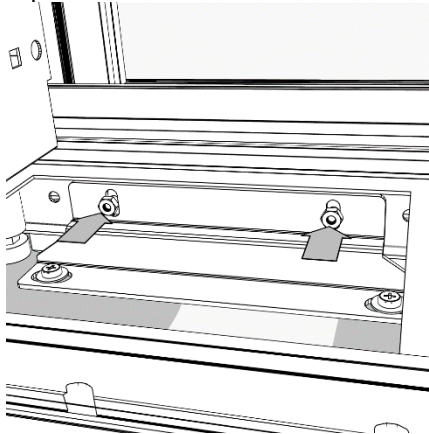
Step 12



Step 13

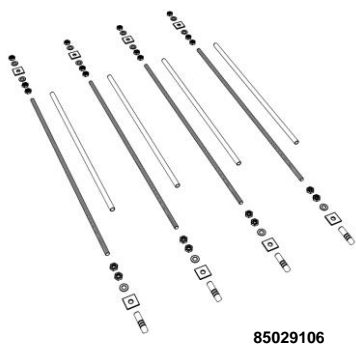


Step 14

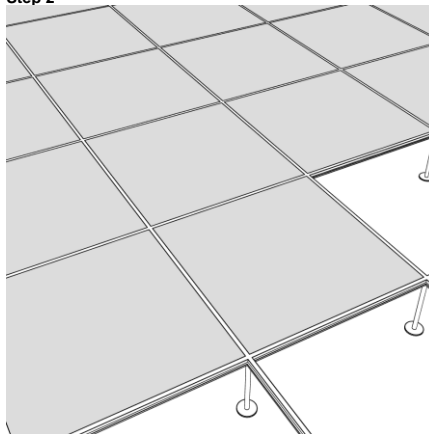


MOUNTING OF CDR300 ON A RAISED FLOOR

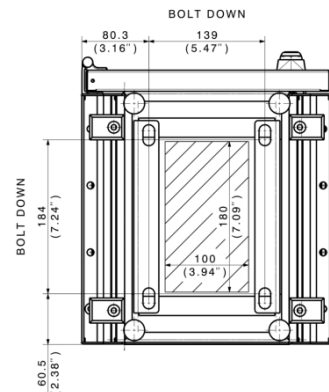
Step 1

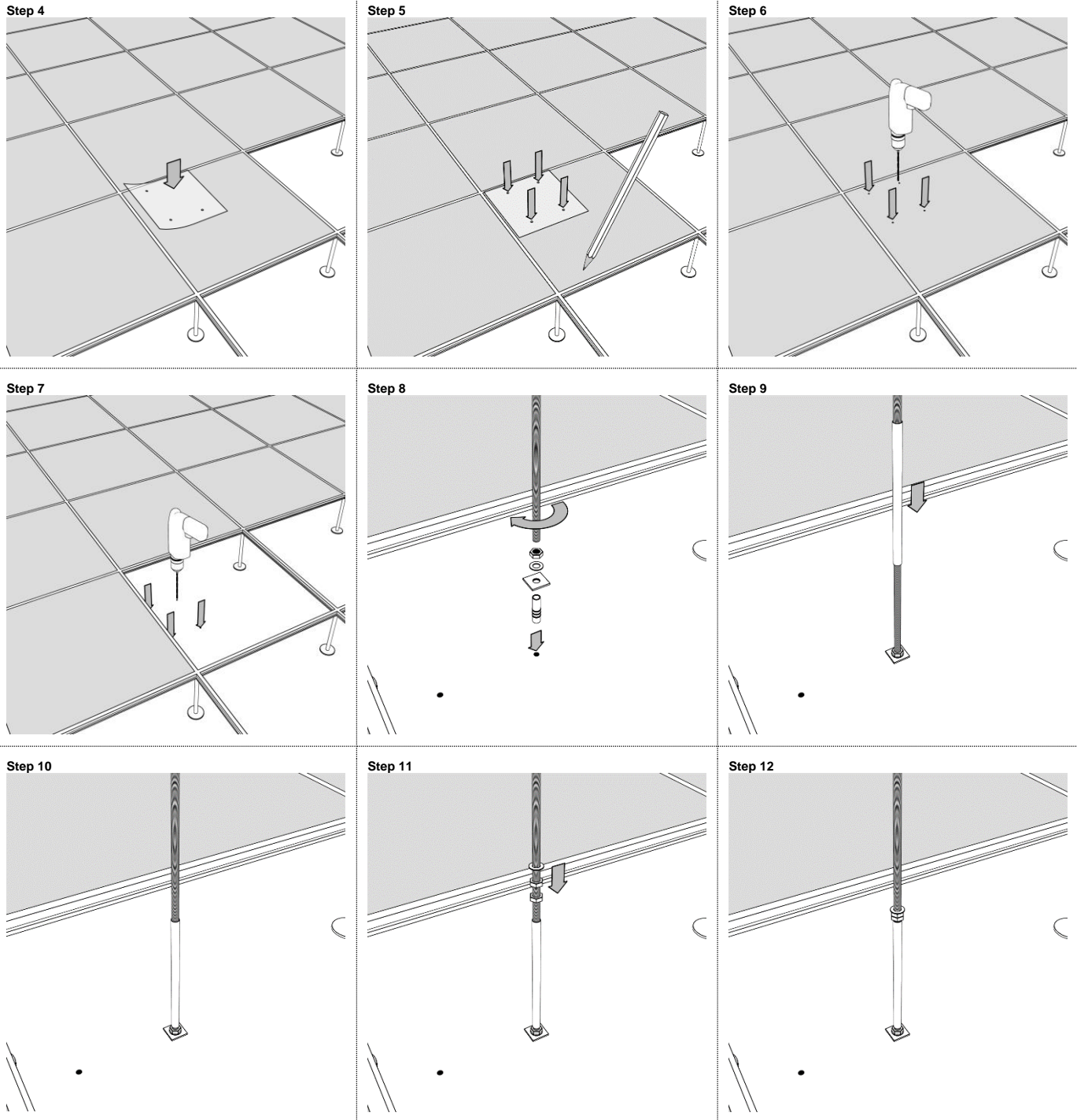


Step 2

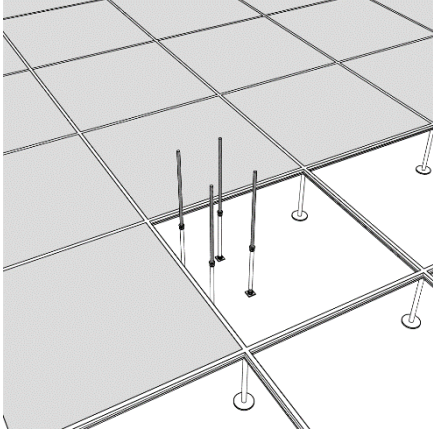


Step 3

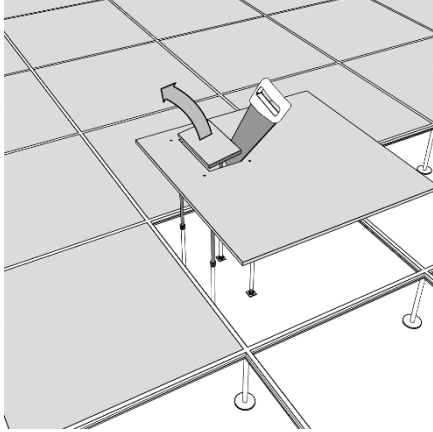




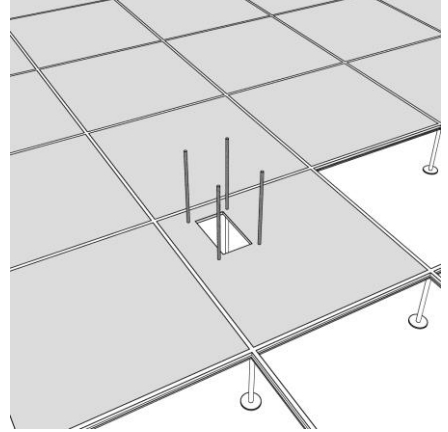
Step 13



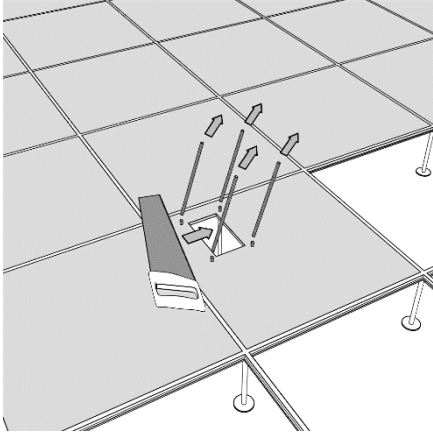
Step 14



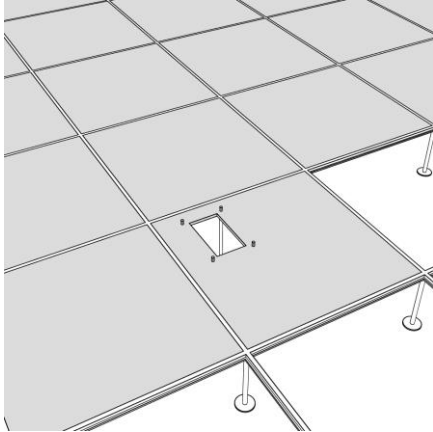
Step 15



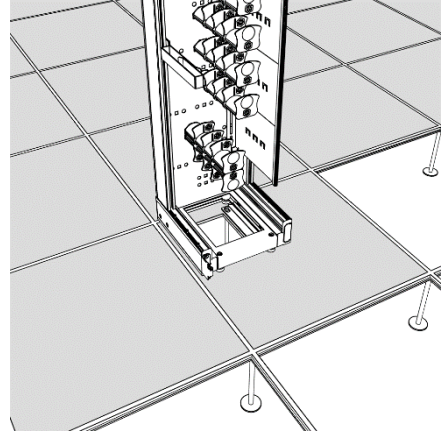
Step 16



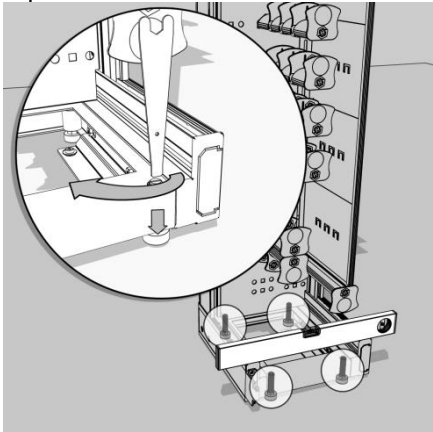
Step 17



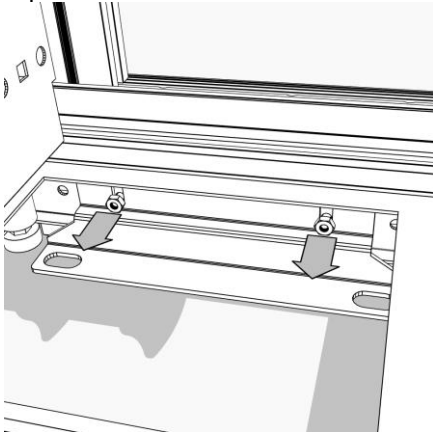
Step 18



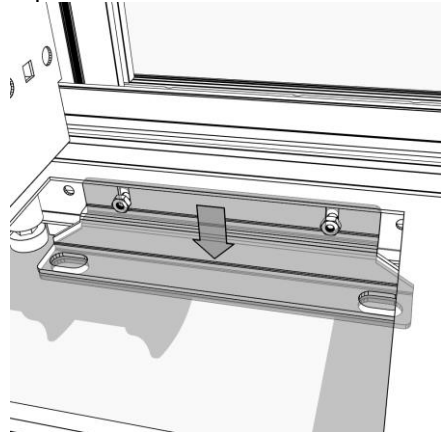
Step 19

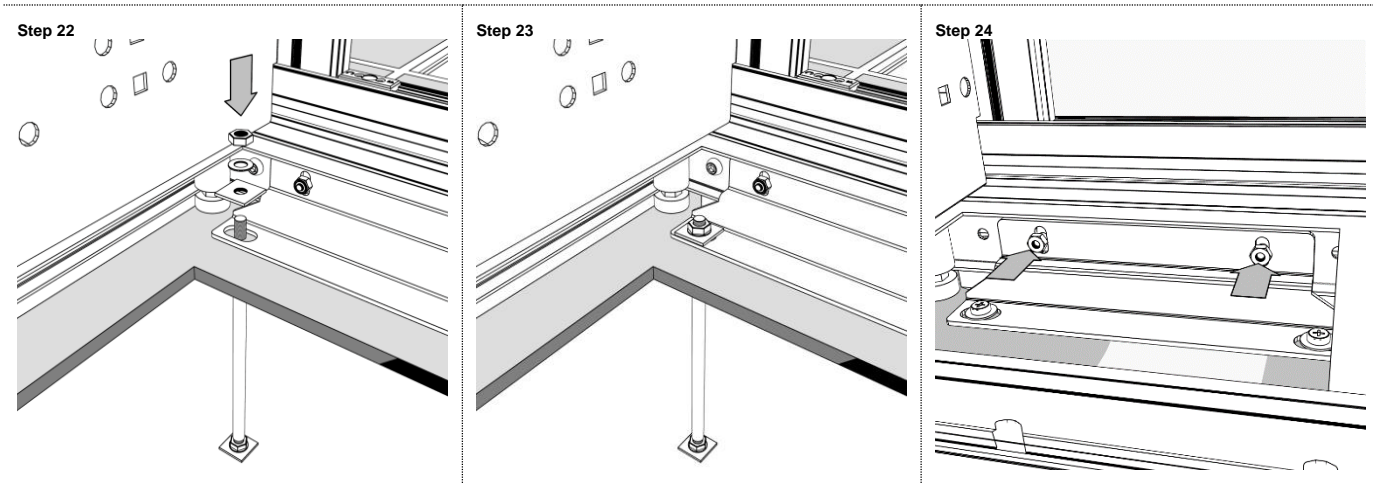


Step 20

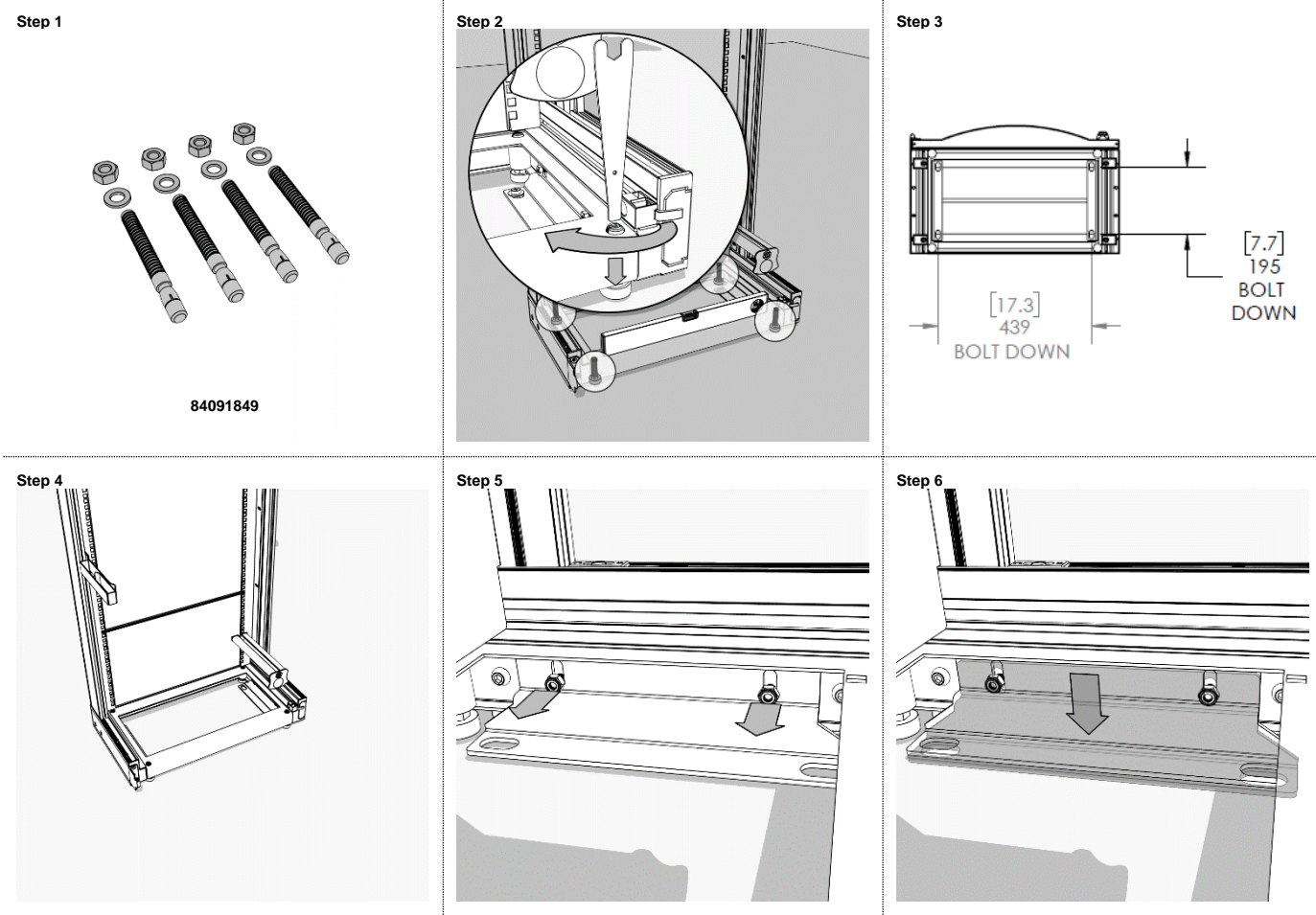


Step 21

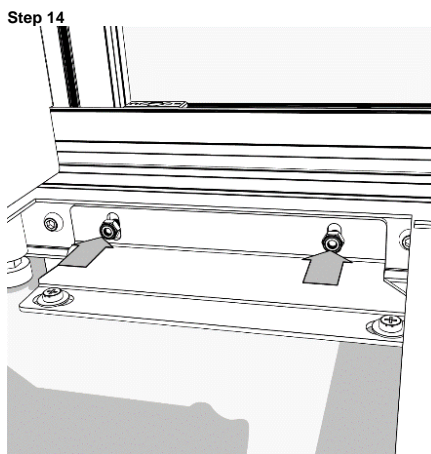
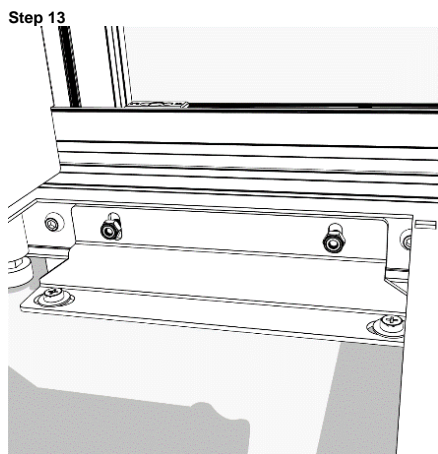
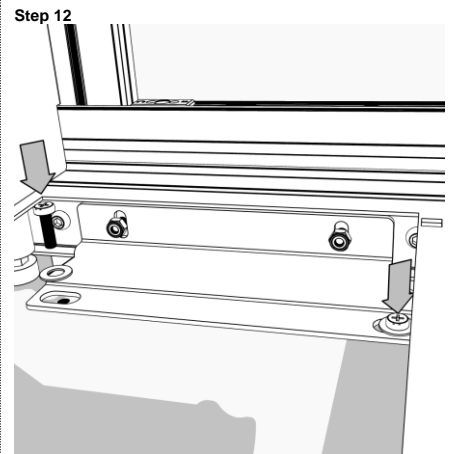
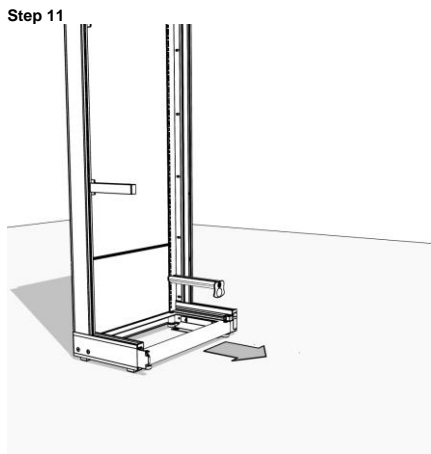
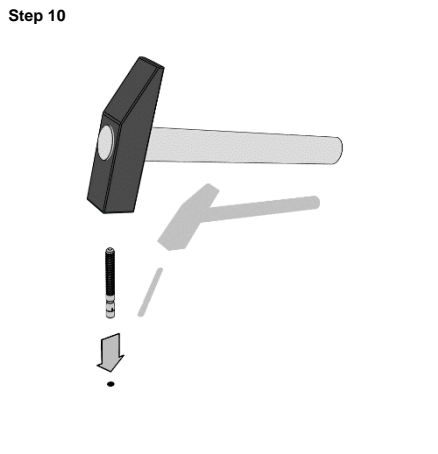
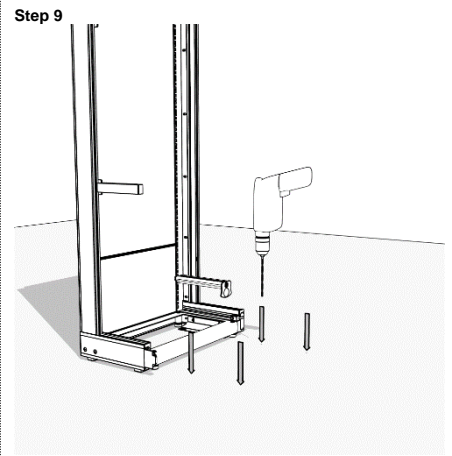
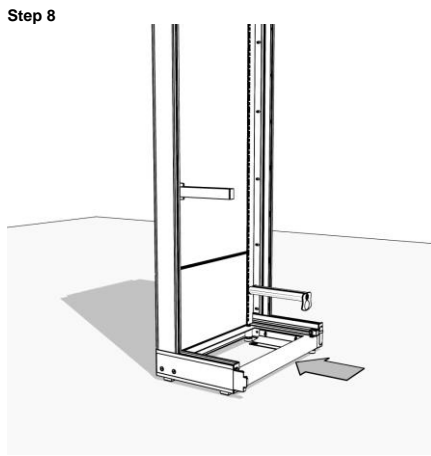
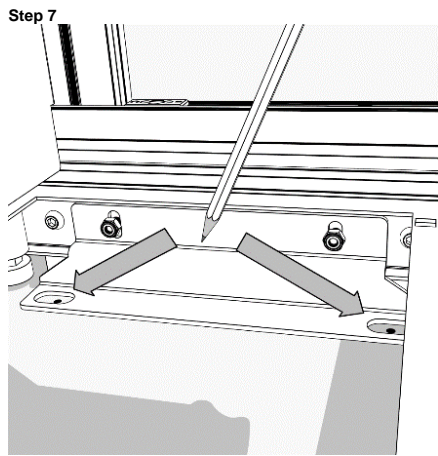




MOUNTING OF CDR600 ON A FIXED FLOOR – CONCRETE FIXATION

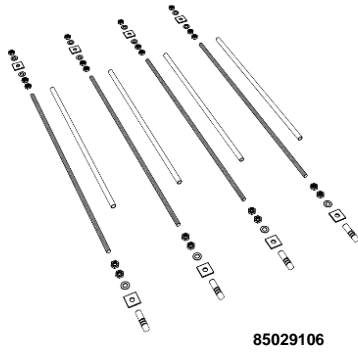


HUBER+SUHNER disclaims any liability resulting from incorrect installation and use, including any damages resulting from the use of tools and accessories other than the ones recommended herein. Any installation performed by unqualified personnel voids the product warranty provided by HUBER+SUHNER. All due care and attention must be exercised when performing the installation of these products. For advice concerning the general handling of these products please contact HUBER+SUHNER.

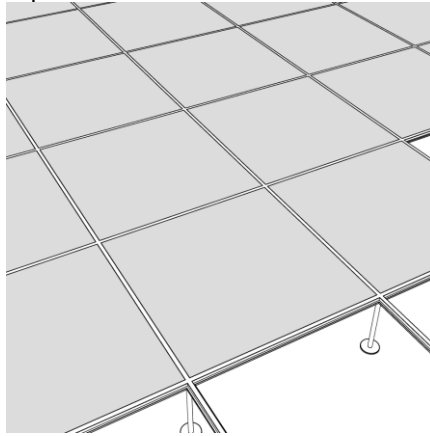


MOUNTING OF CDR600 ON A RAISED FLOOR

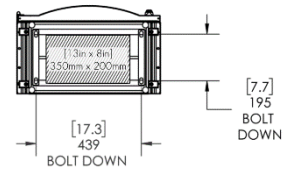
Step 1



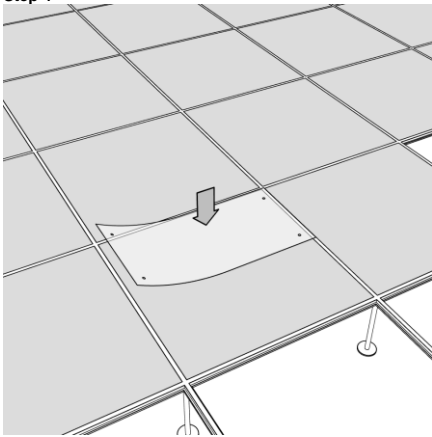
Step 2



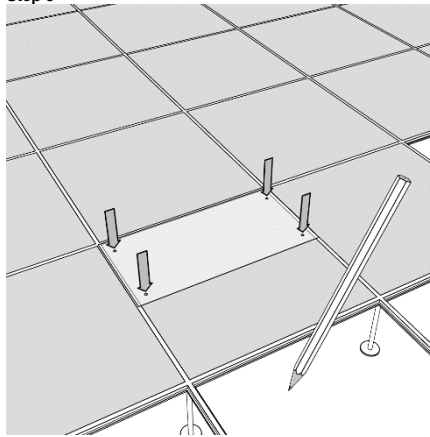
Step 3



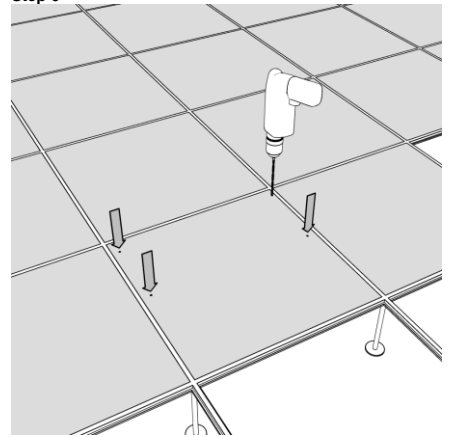
Step 4



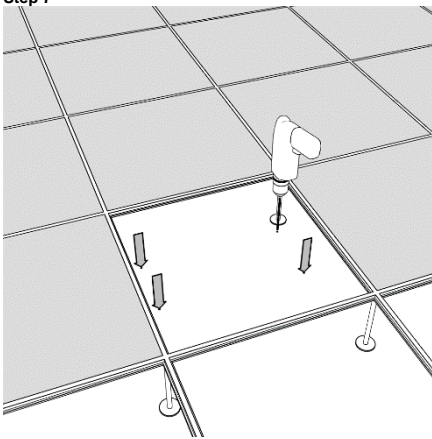
Step 5



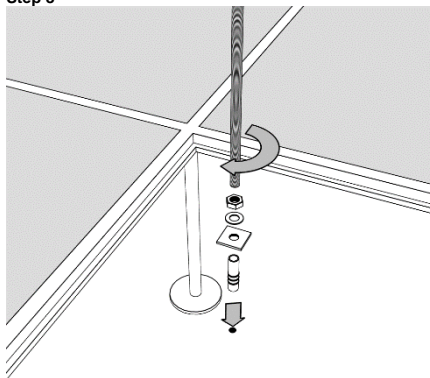
Step 6



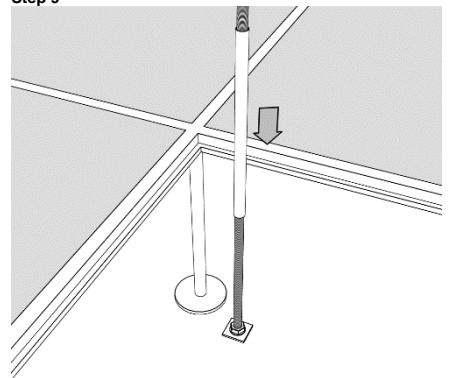
Step 7



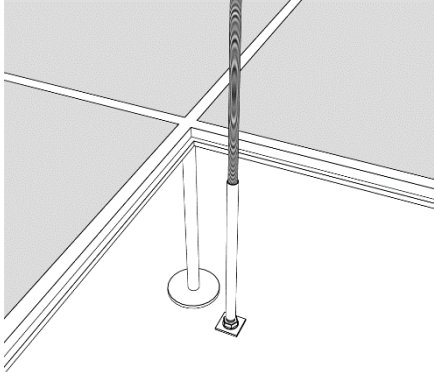
Step 8



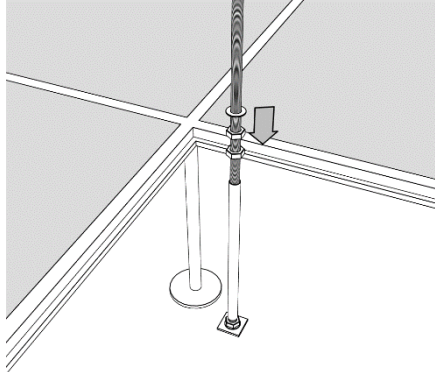
Step 9



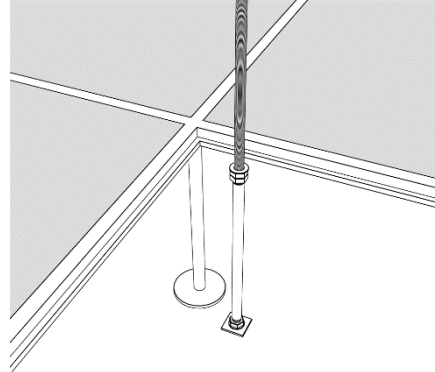
Step 10



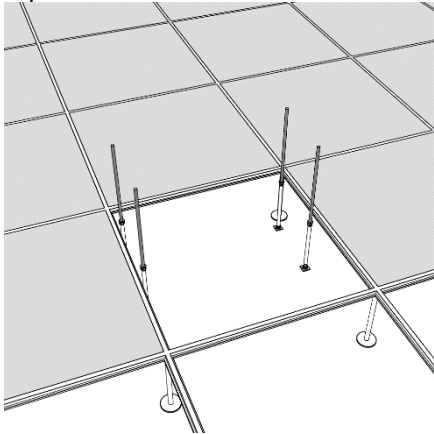
Step 11



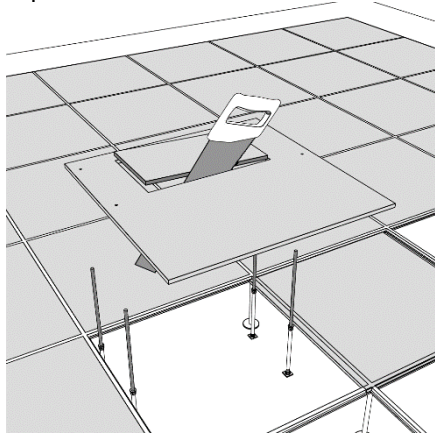
Step 12



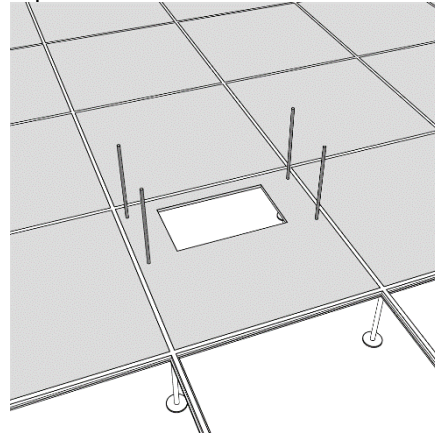
Step 13



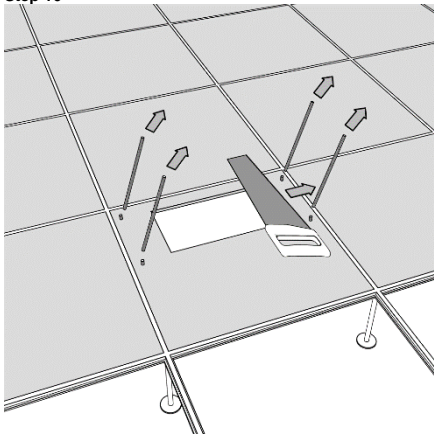
Step 14



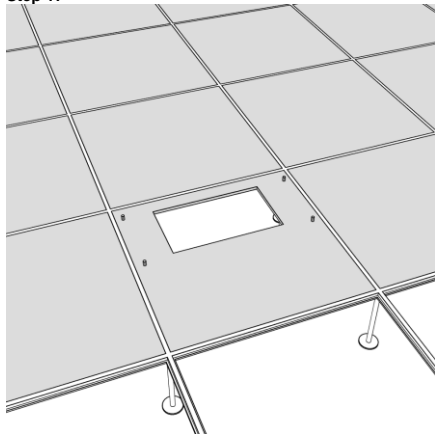
Step 15



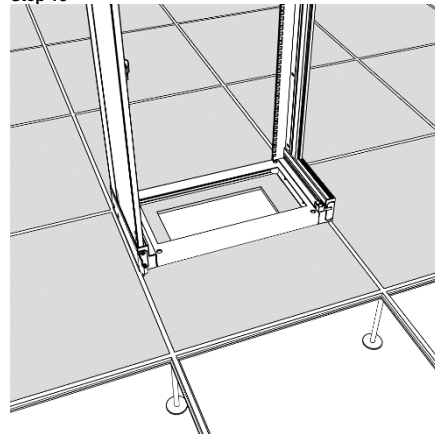
Step 16



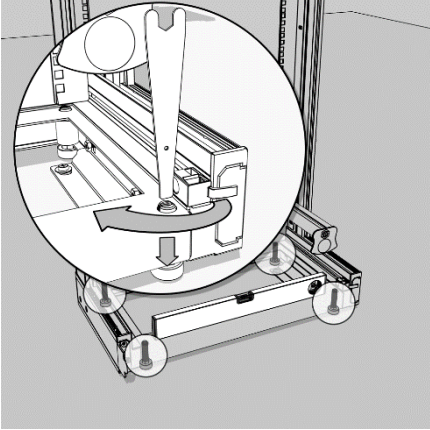
Step 17



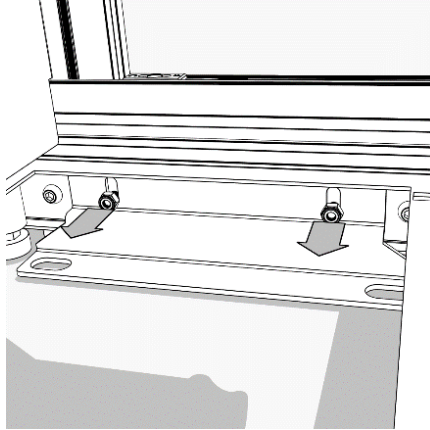
Step 18



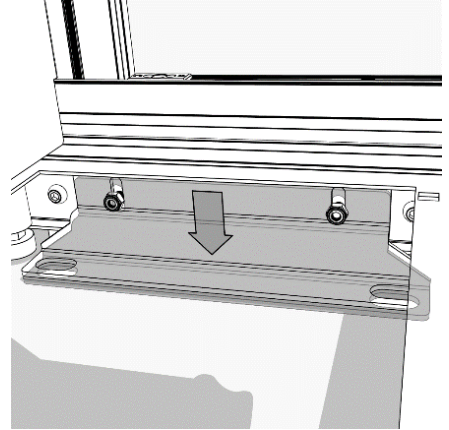
Step 19



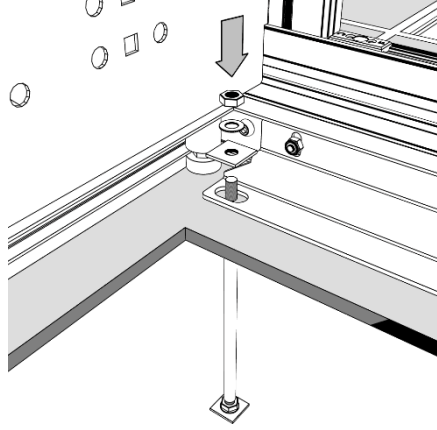
Step 20



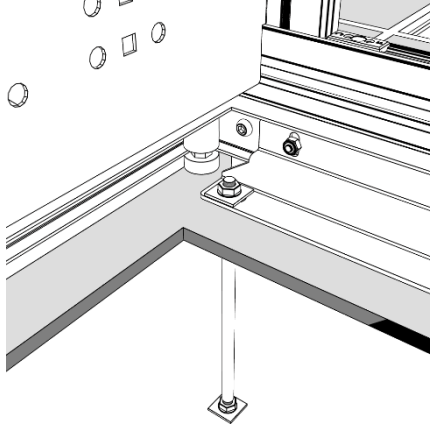
Step 21



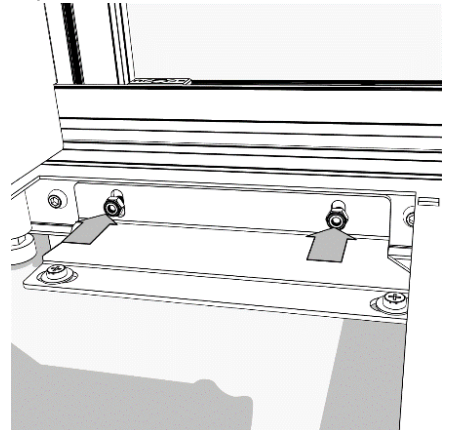
Step 22



Step 23

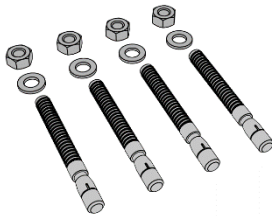


Step 24



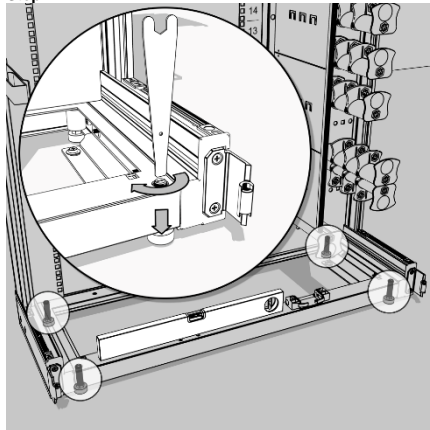
MOUNTING OF CDR900 ON A FIXED FLOOR – CONCRETE FIXATION

Step 1

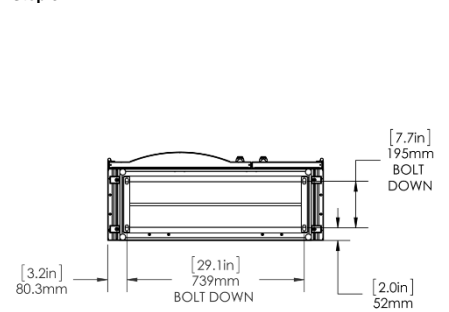


84091849

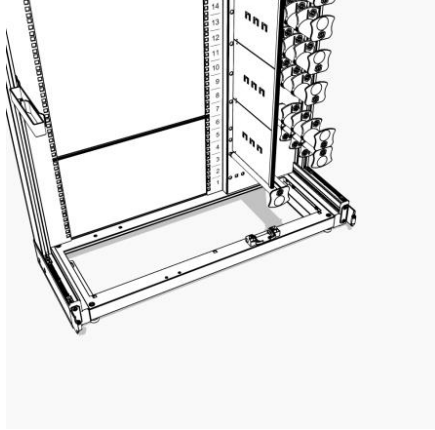
Step 2



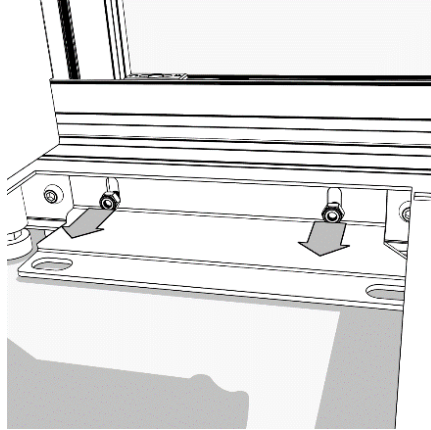
Step 3



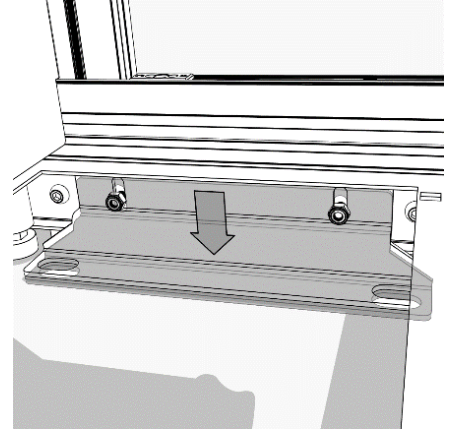
Step 4



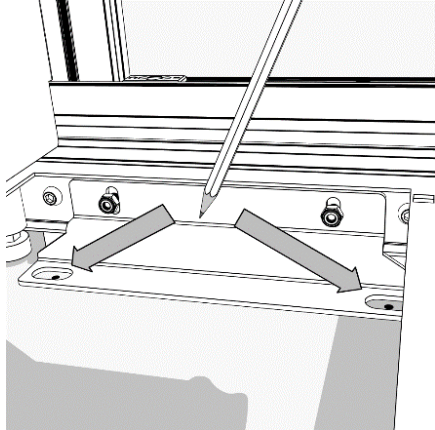
Step 5



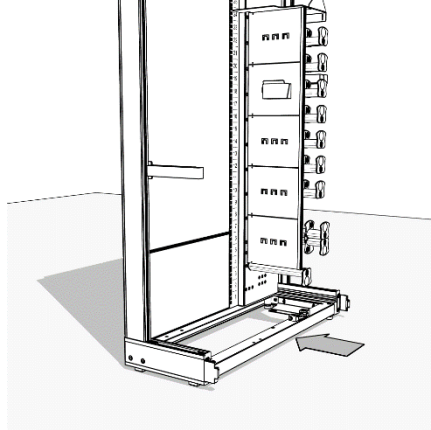
Step 6



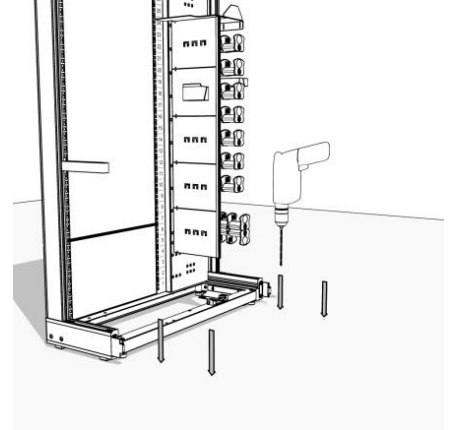
Step 7



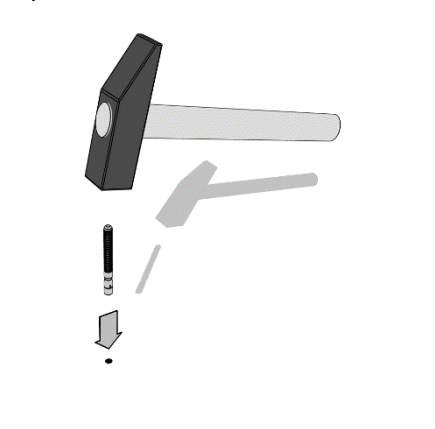
Step 8



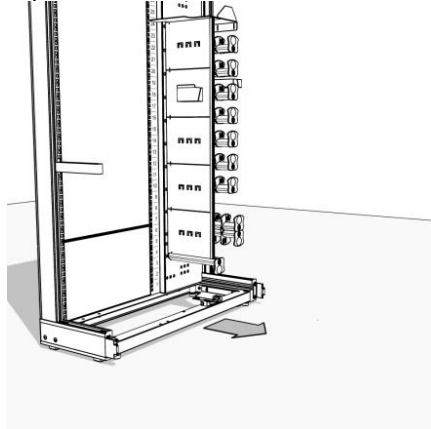
Step 9



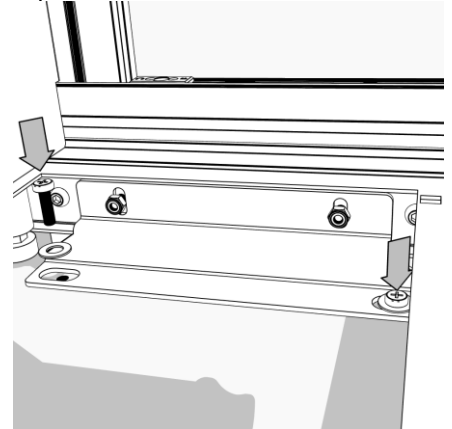
Step 10

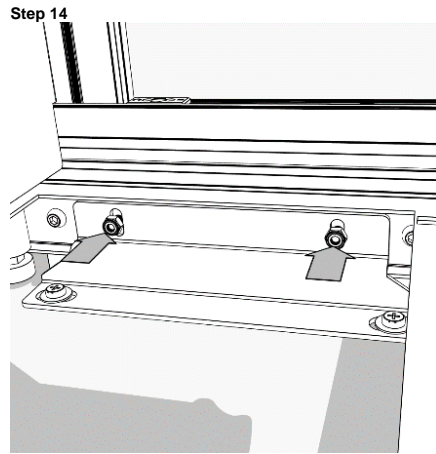
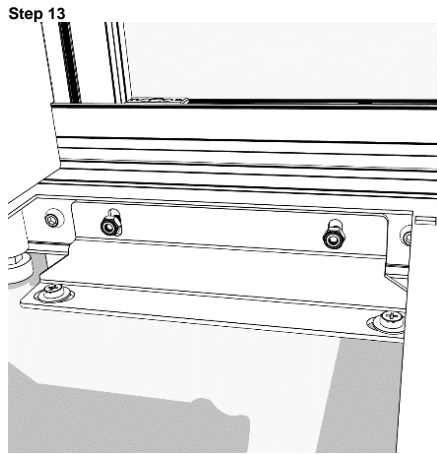


Step 11

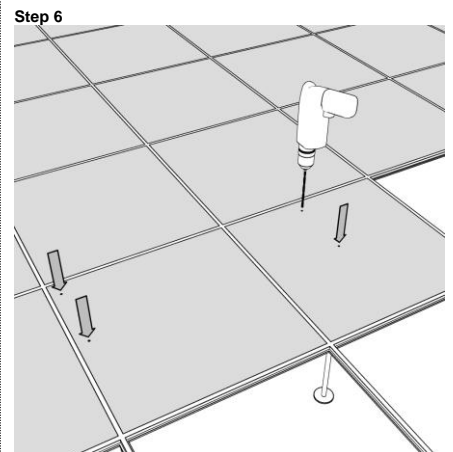
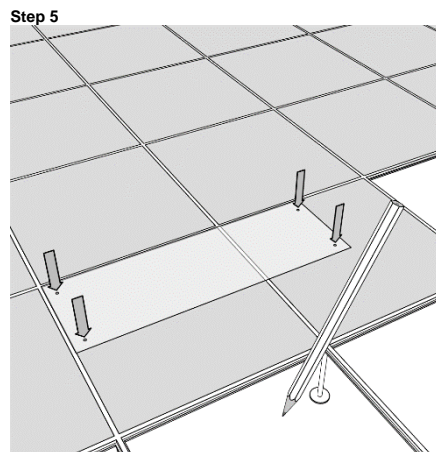
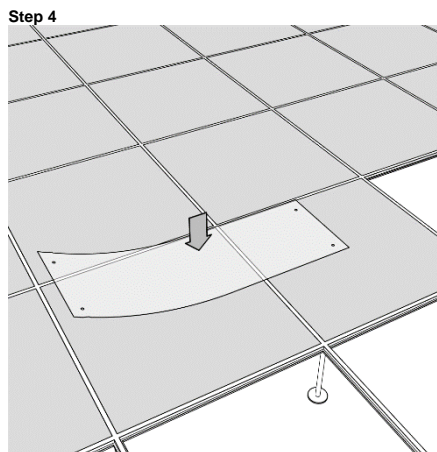
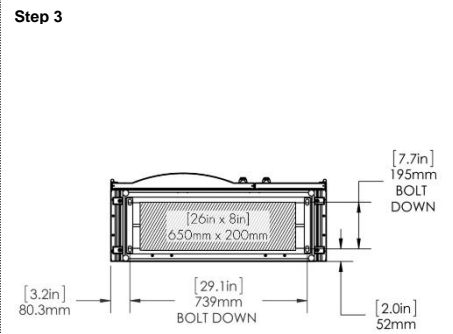
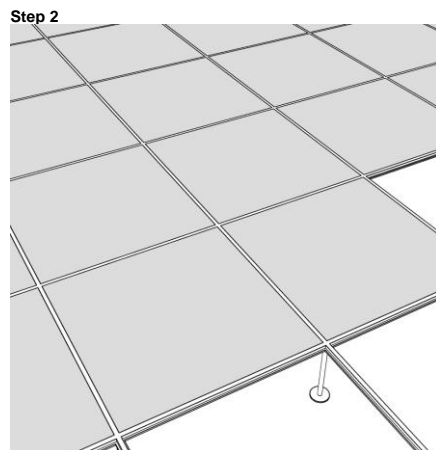
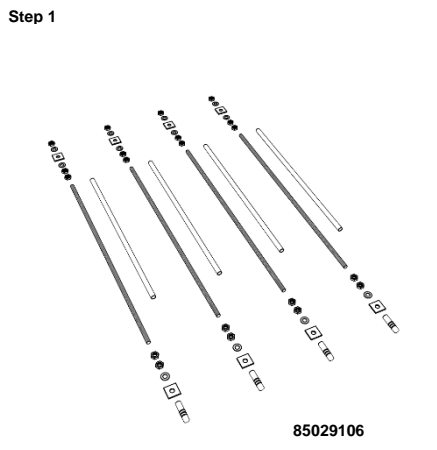


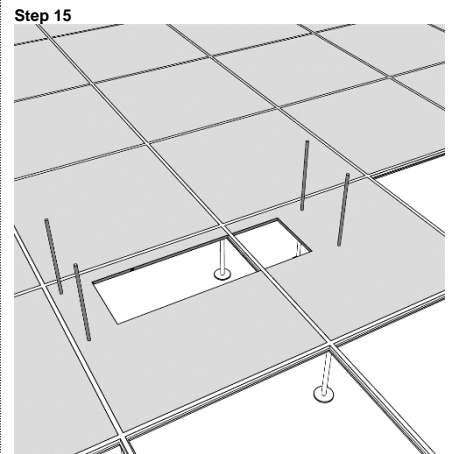
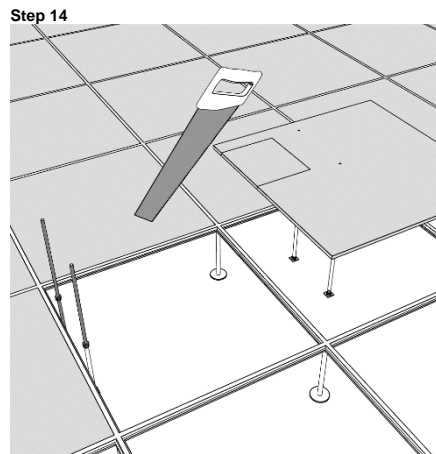
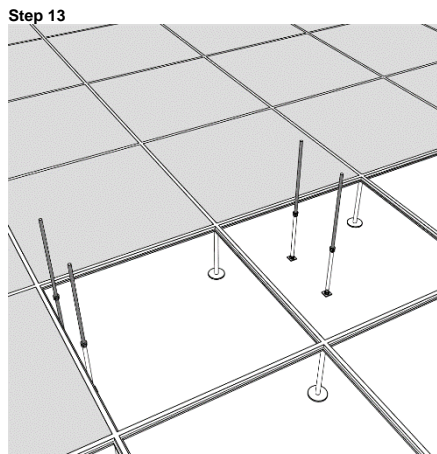
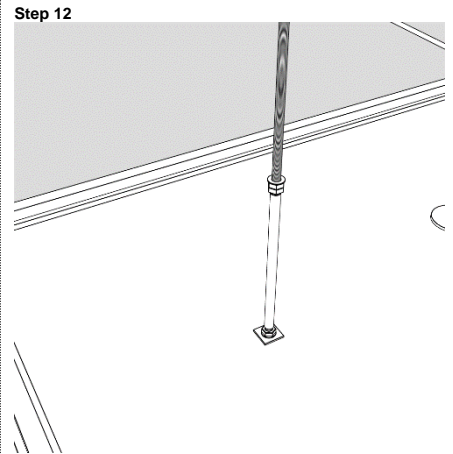
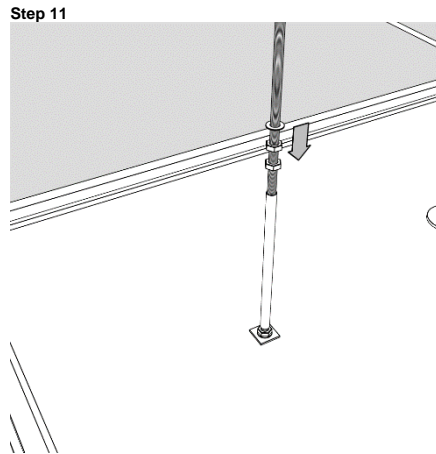
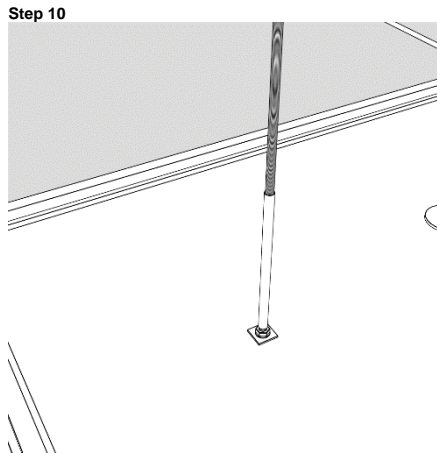
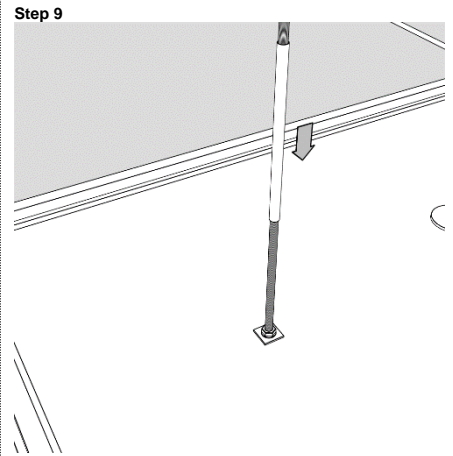
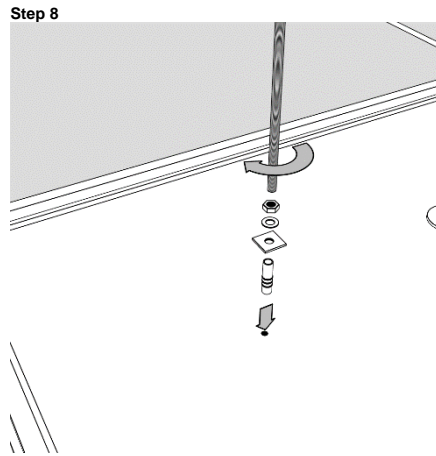
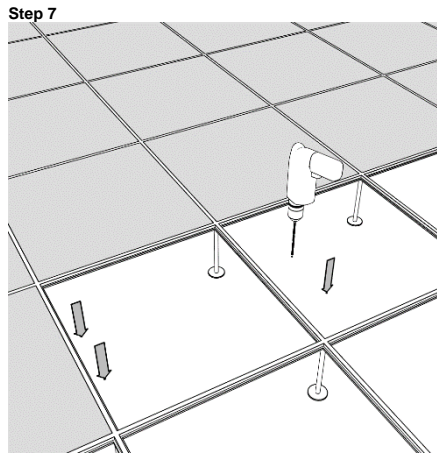
Step 12



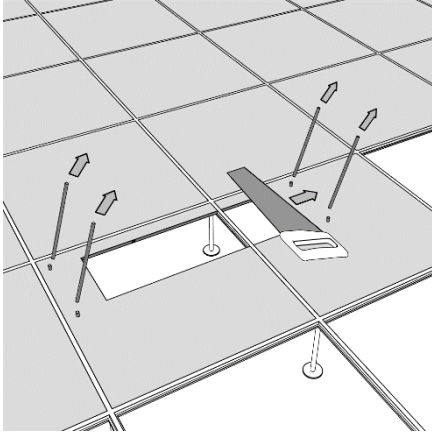


MOUNTING OF CDR900 ON A RAISED FLOOR

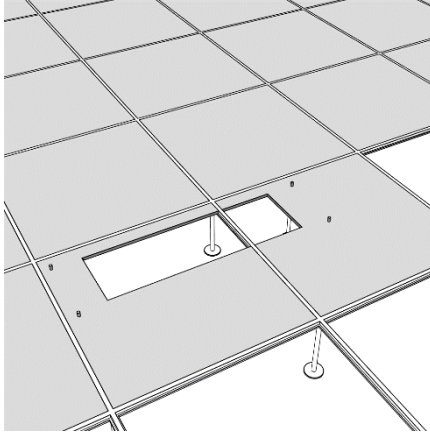




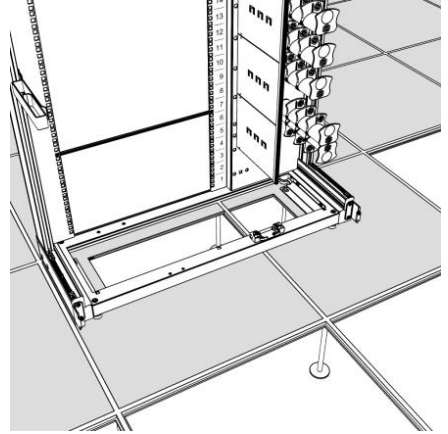
Step 16



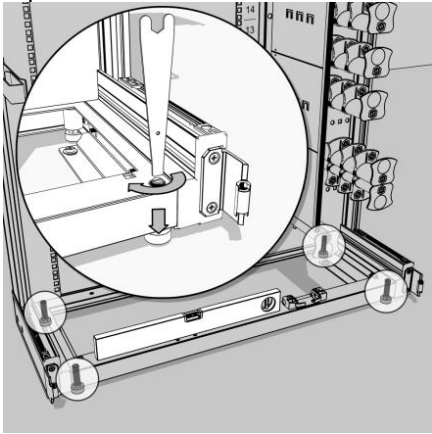
Step 17



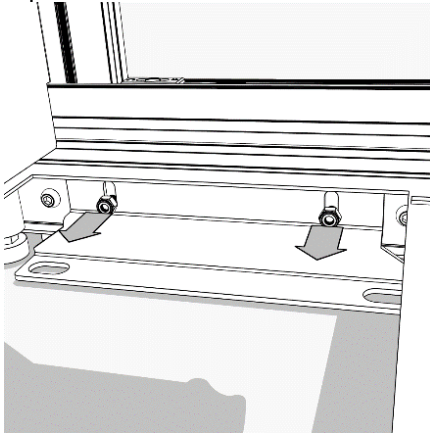
Step 18



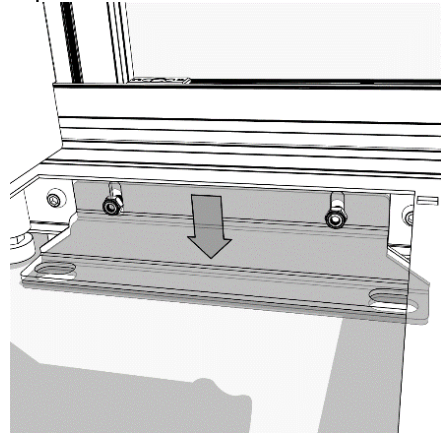
Step 19



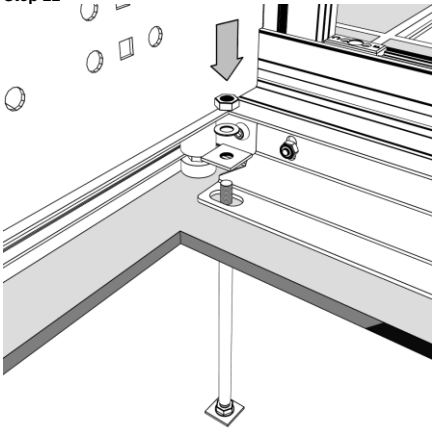
Step 20



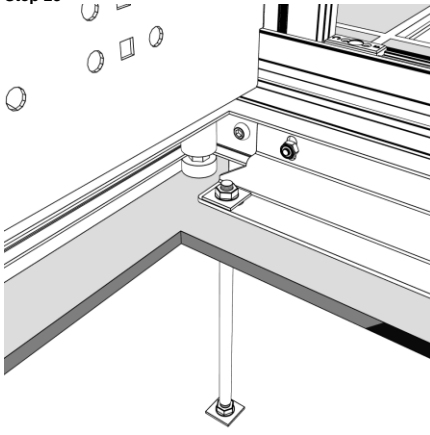
Step 21



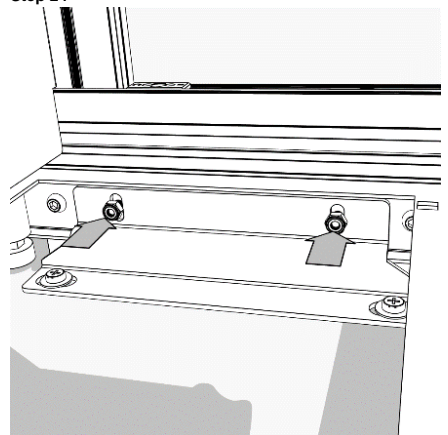
Step 22



Step 23

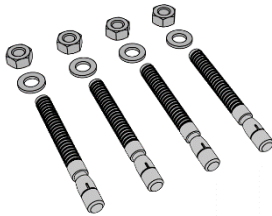


Step 24



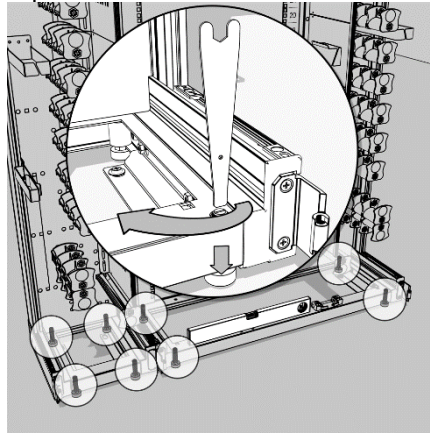
MOUNTING OF CDR1200 ON A FIXED FLOOR – CONCRETE FIXATION

Step 1

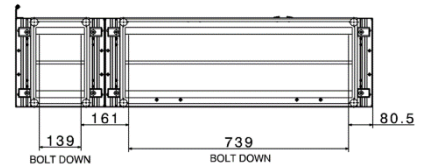


2x 84091849

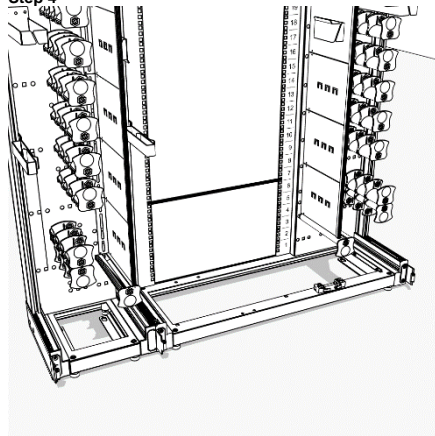
Step 2



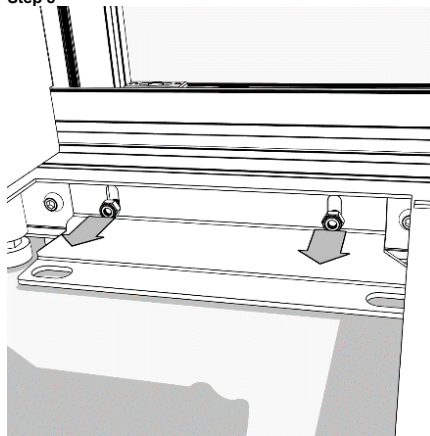
Step 3



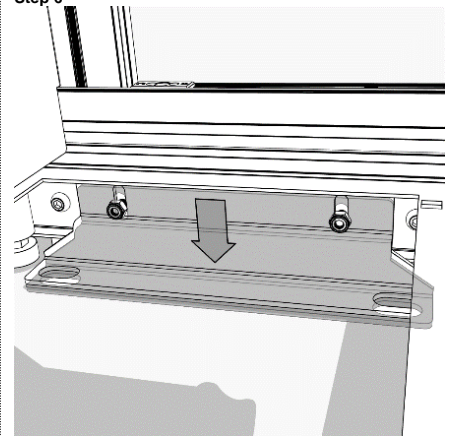
Step 4



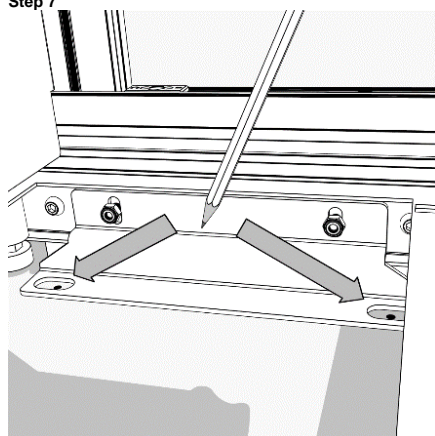
Step 5



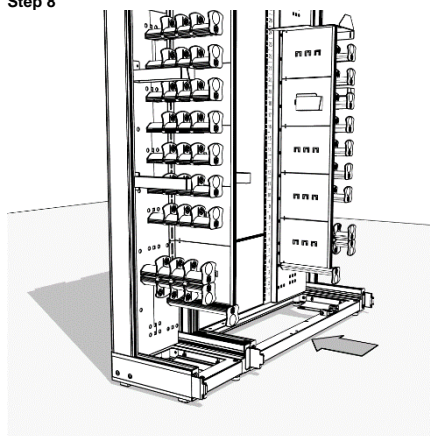
Step 6



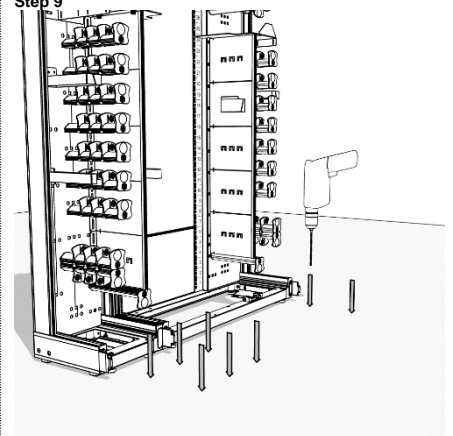
Step 7



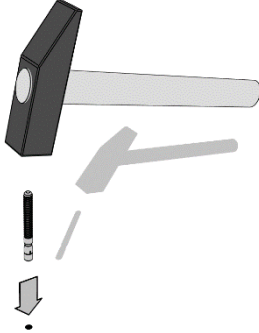
Step 8



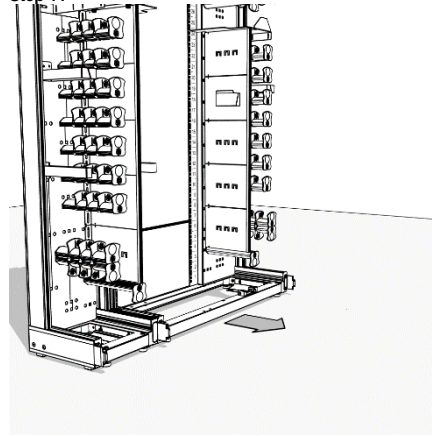
Step 9



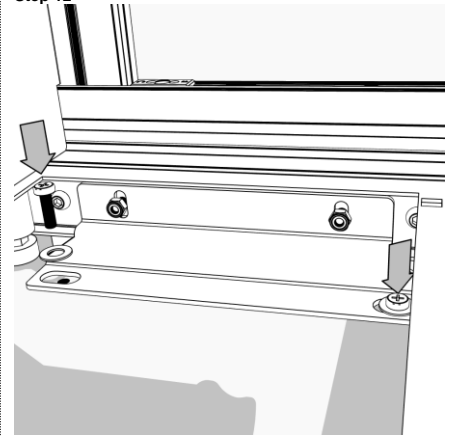
Step 10



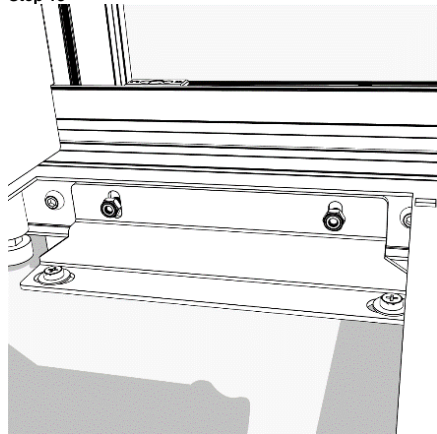
Step 11



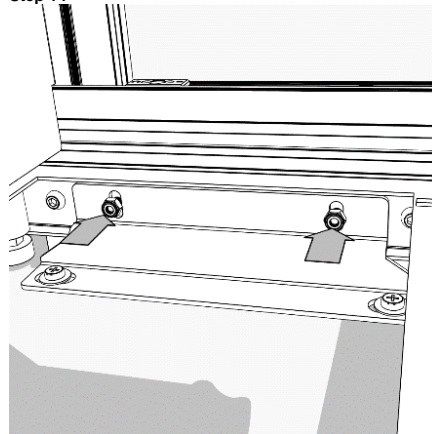
Step 12



Step 13



Step 14

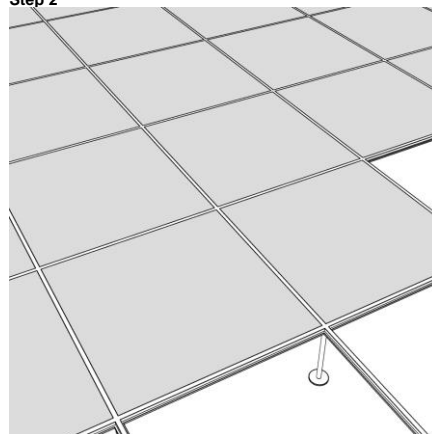


MOUNTING OF CDR1200 ON A RAISED FLOOR

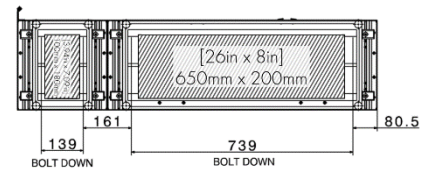
Step 1

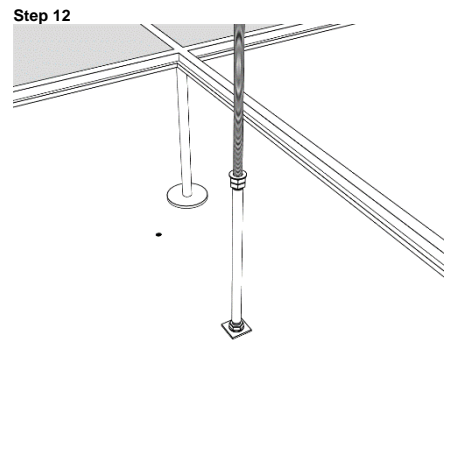
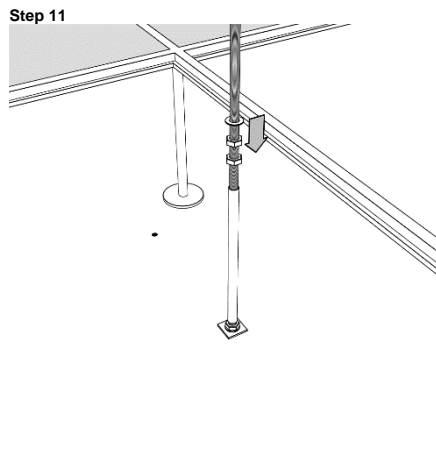
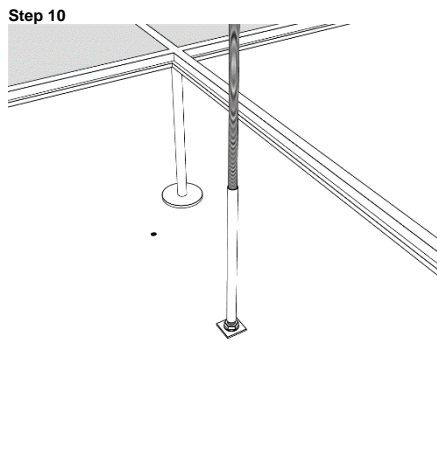
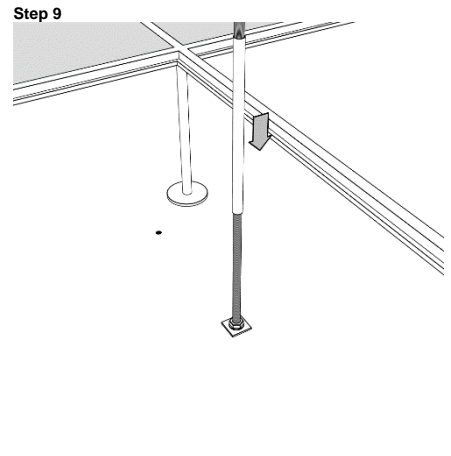
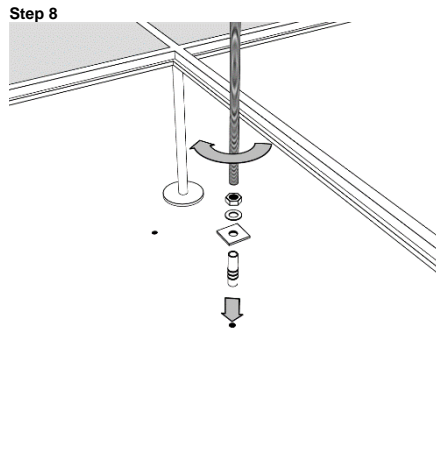
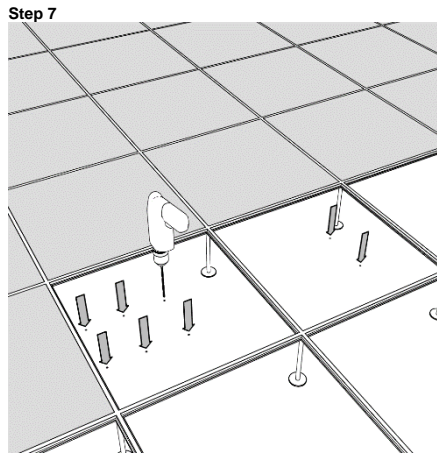
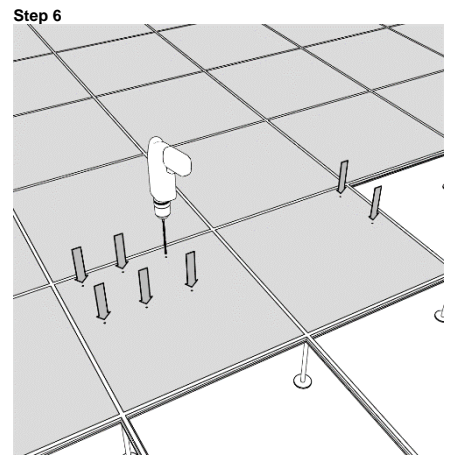
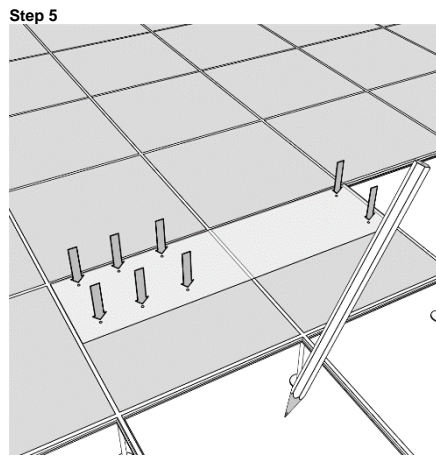
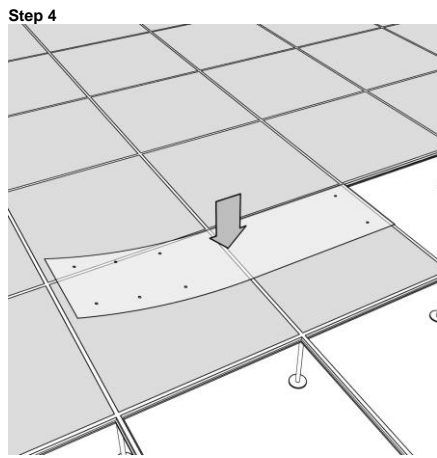


Step 2

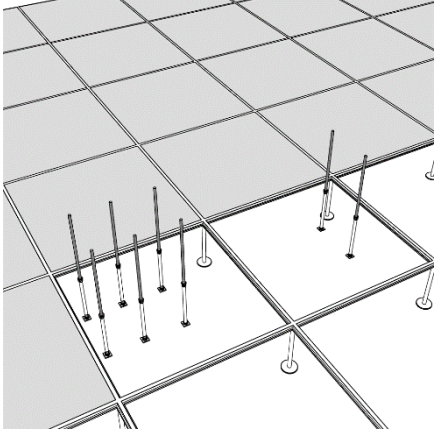


Step 3

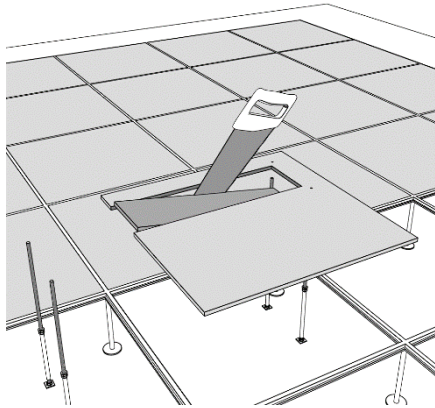




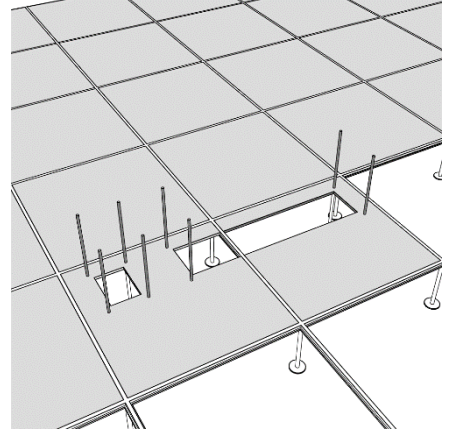
Step 13



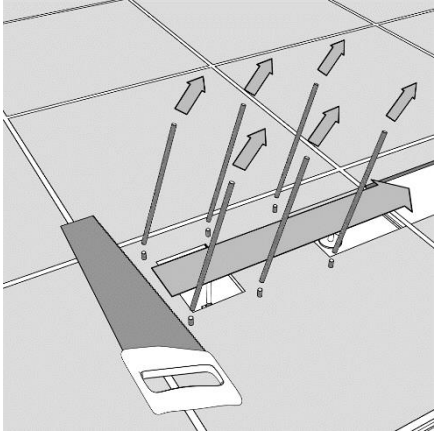
Step 14



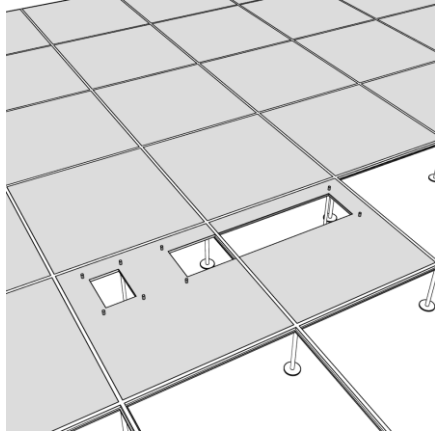
Step 15



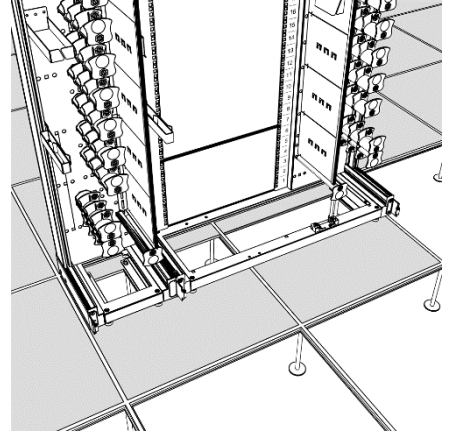
Step 16



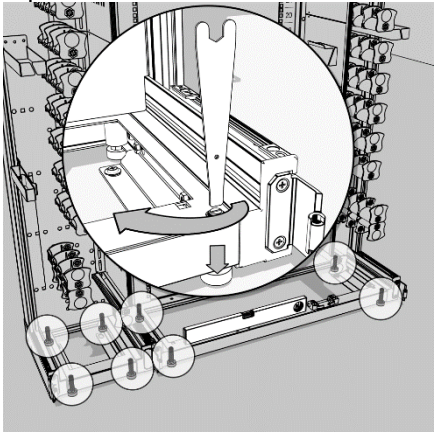
Step 17



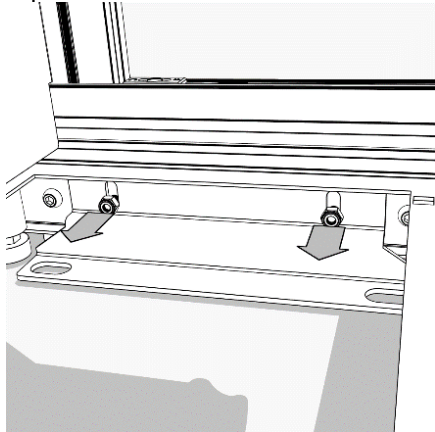
Step 18



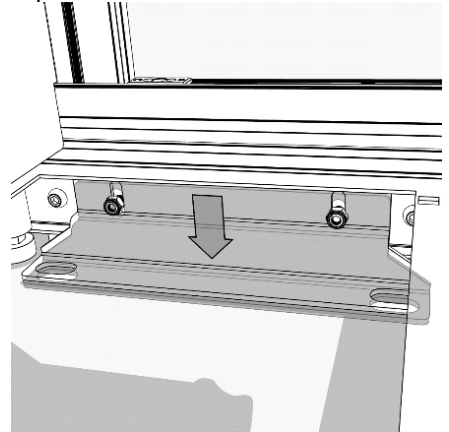
Step 19



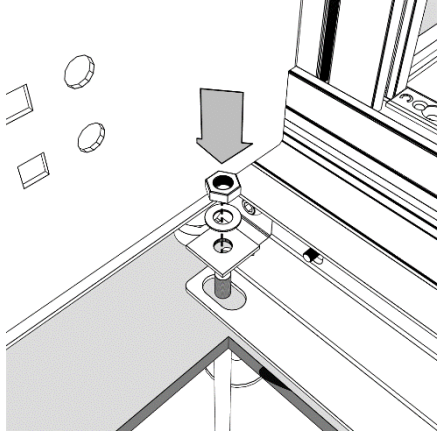
Step 20



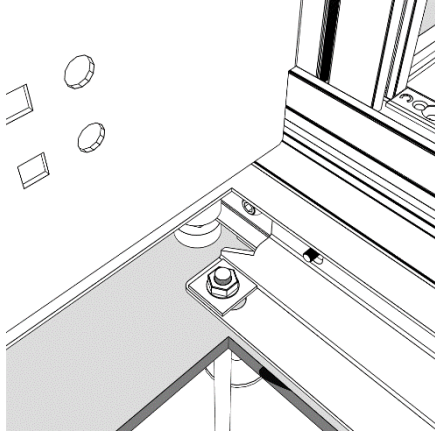
Step 21



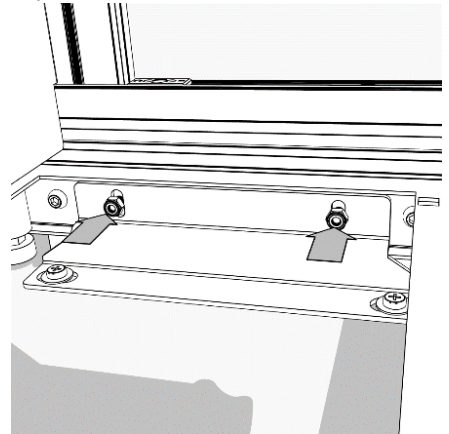
Step 22



Step 23

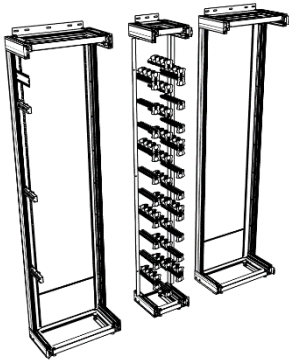


Step 24

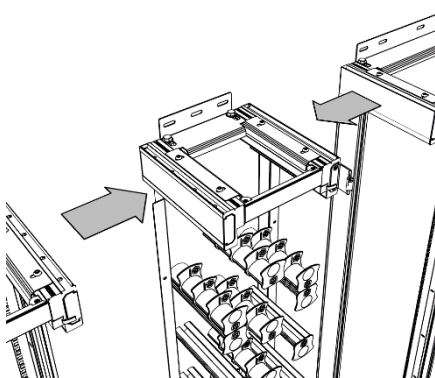


ASSEMBLY OF CDR1500

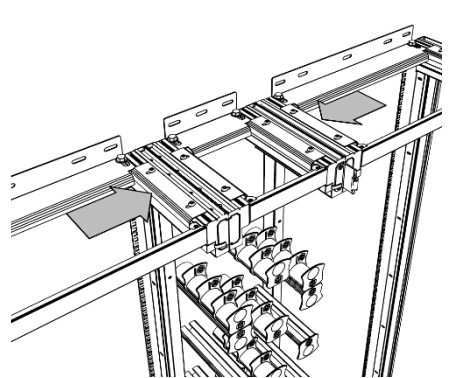
Step 1



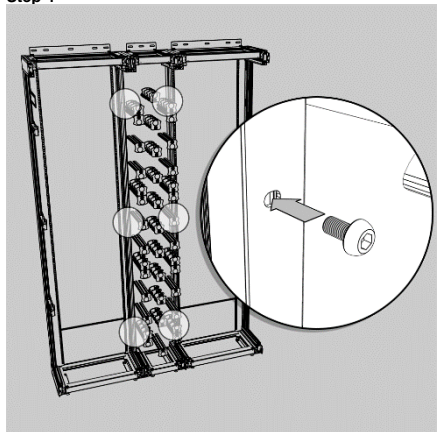
Step 2



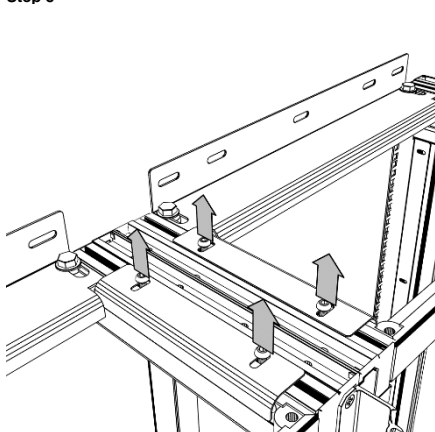
Step 3



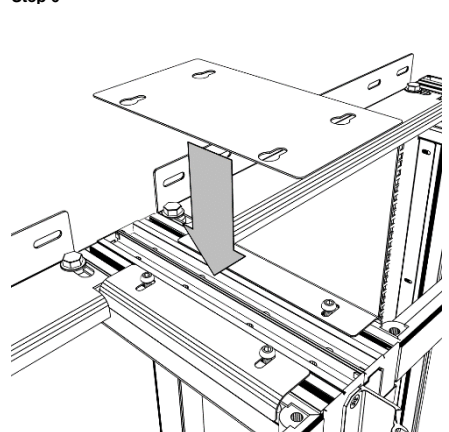
Step 4



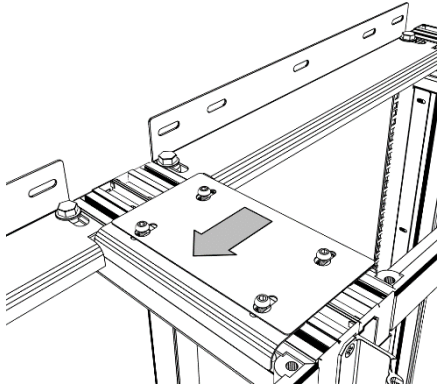
Step 5



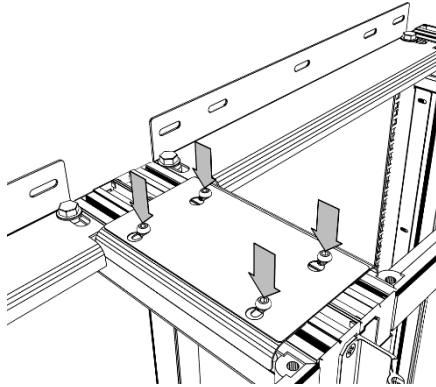
Step 6



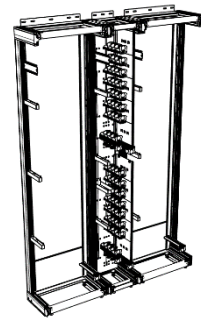
Step 7



Step 8



Step 9



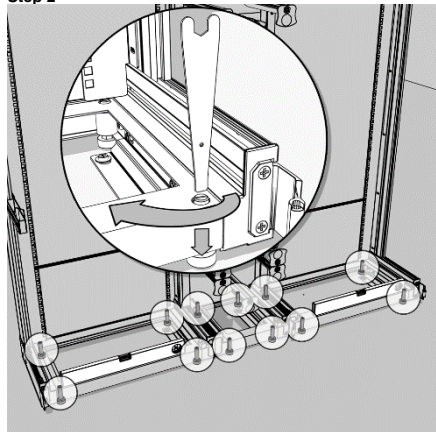
MOUNTING OF CDR1500 ON A FIXED FLOOR– CONCRETE FIXATION

Step 1

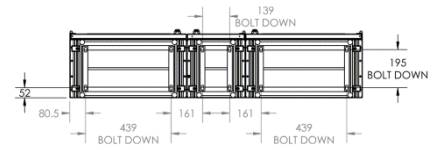


2x 84091849

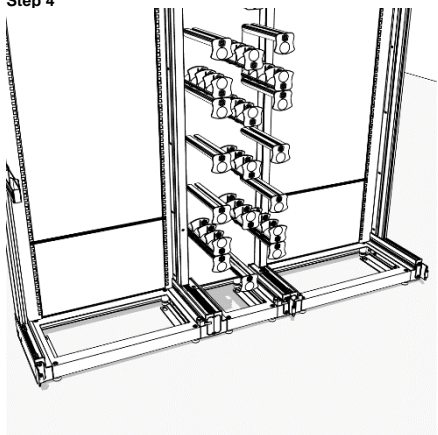
Step 2



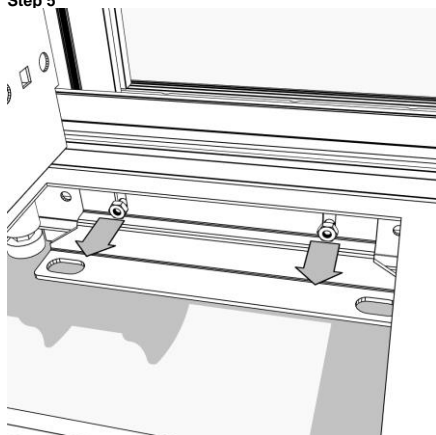
Step 3



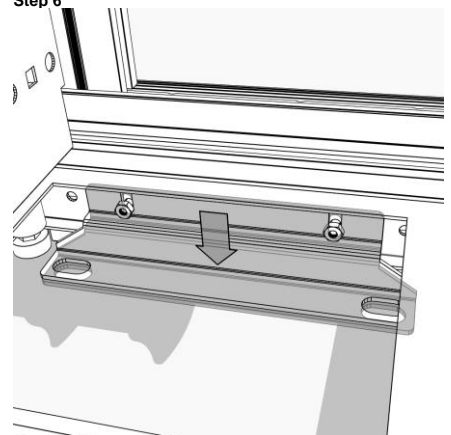
Step 4



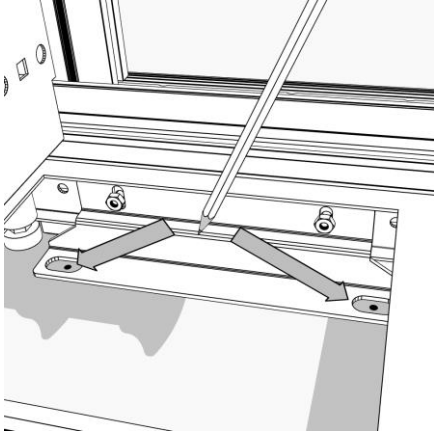
Step 5



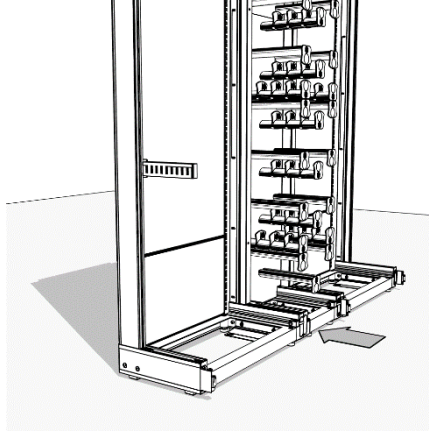
Step 6



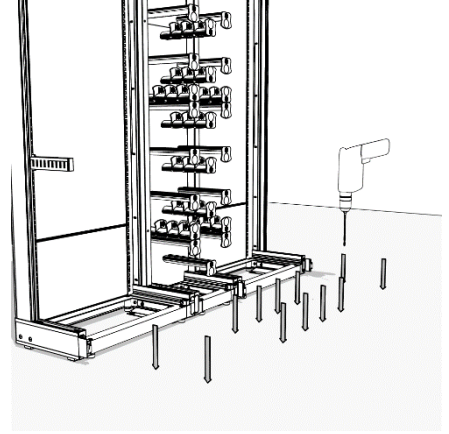
Step 7



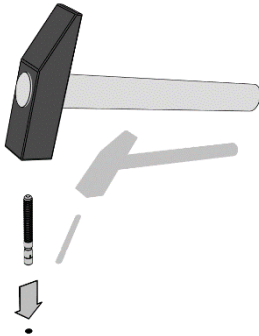
Step 8



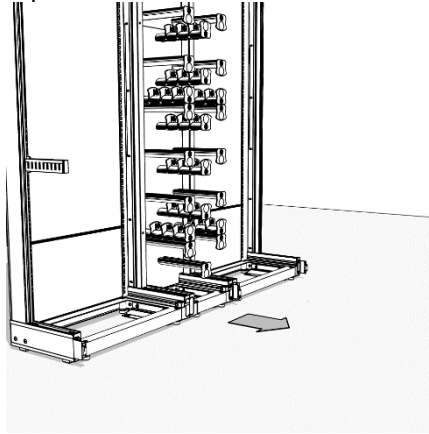
Step 9



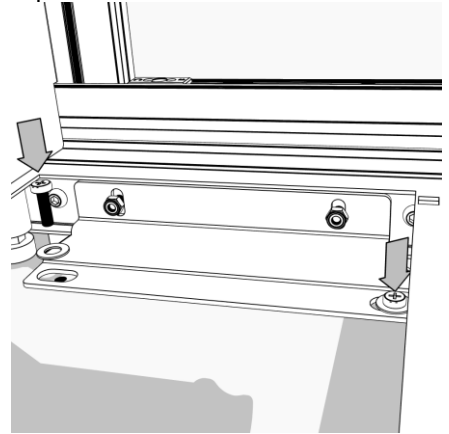
Step 10



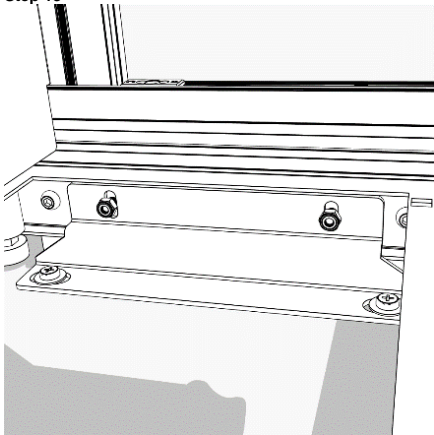
Step 11



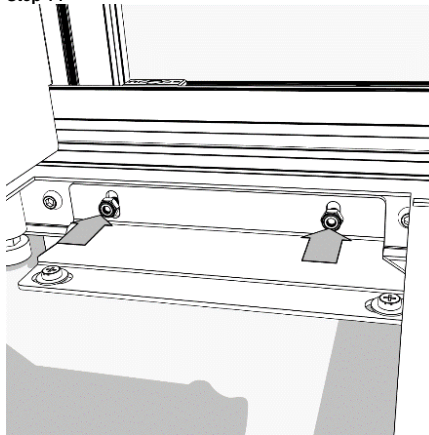
Step 12



Step 13



Step 14

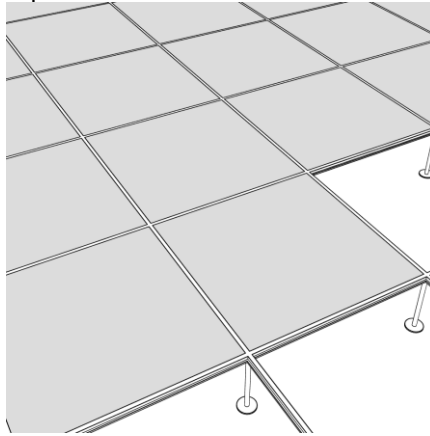


MOUNTING OF CDR1500 ON A RAISED FLOOR

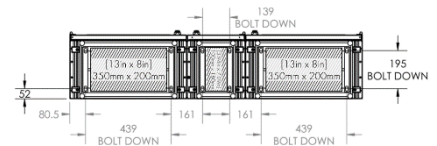
Step 1



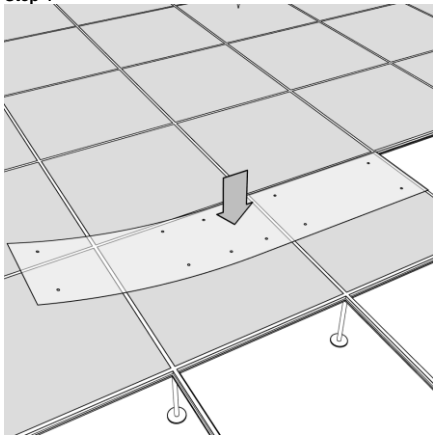
Step 2



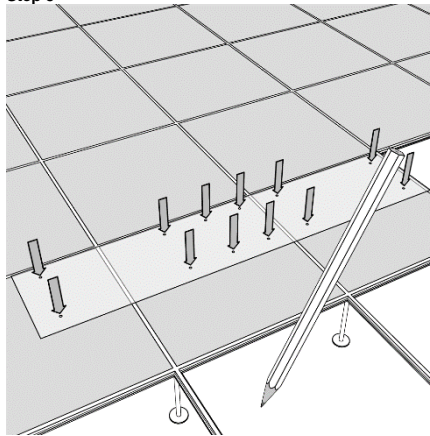
Step 3



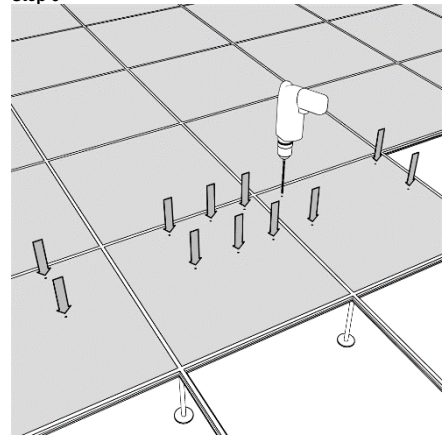
Step 4



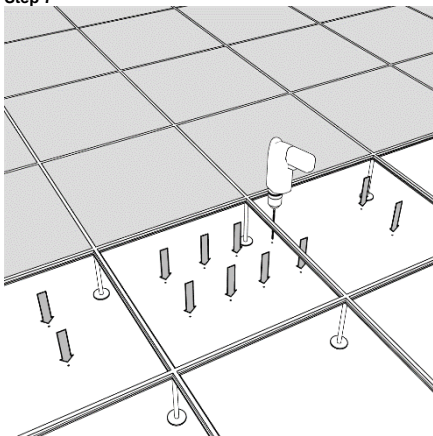
Step 5



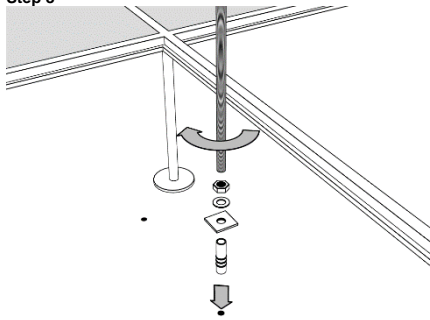
Step 6



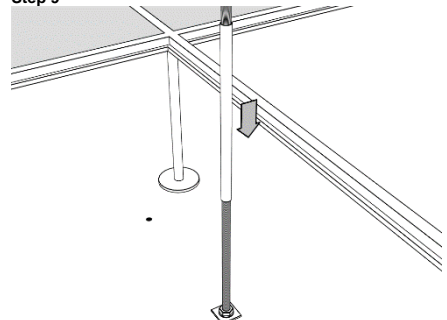
Step 7



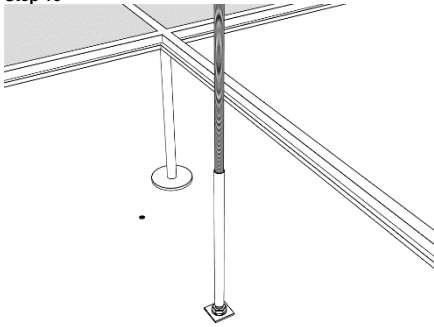
Step 8



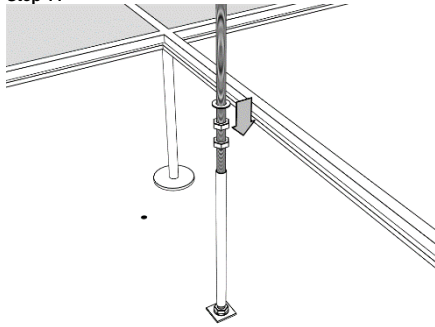
Step 9



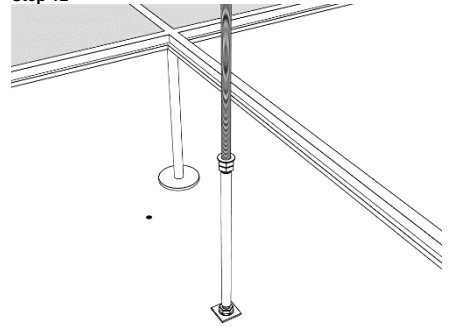
Step 10



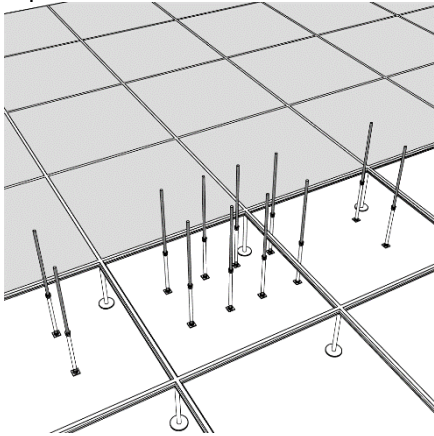
Step 11



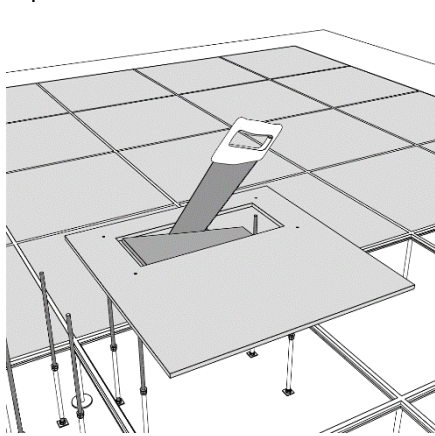
Step 12



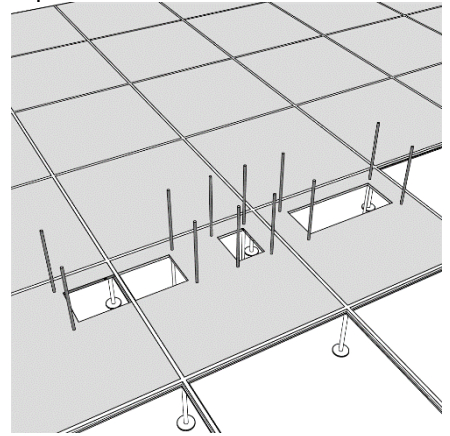
Step 13



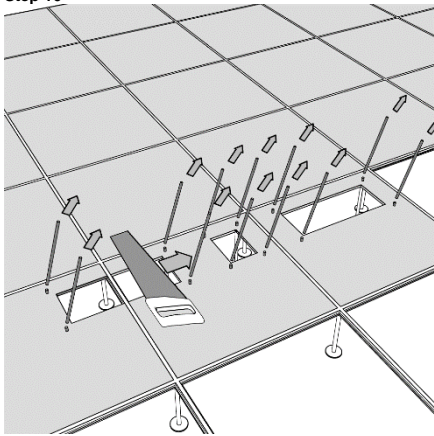
Step 14



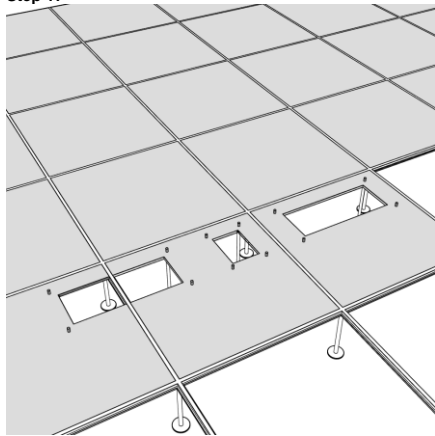
Step 15



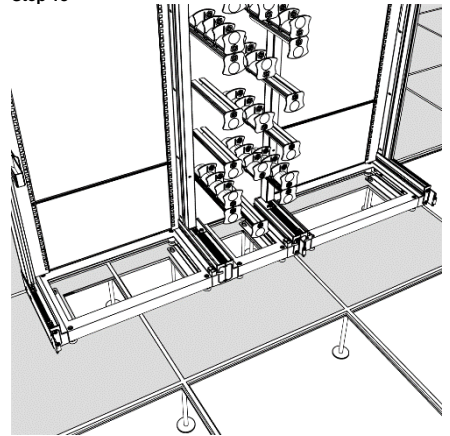
Step 16



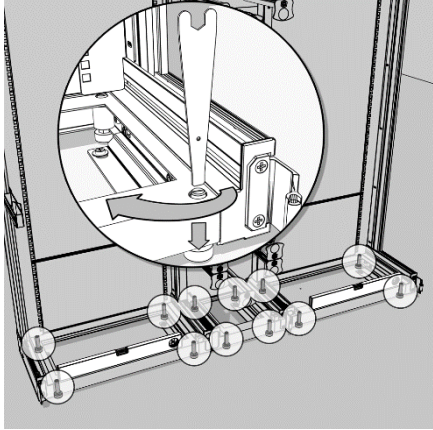
Step 17



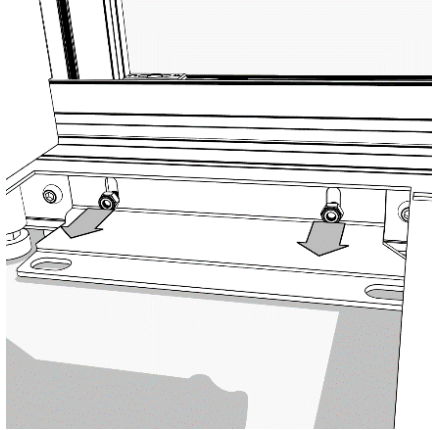
Step 18



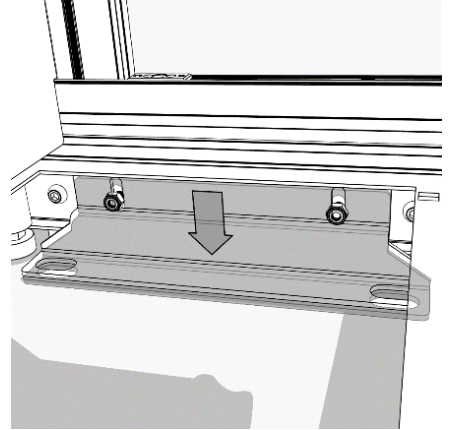
Step 19



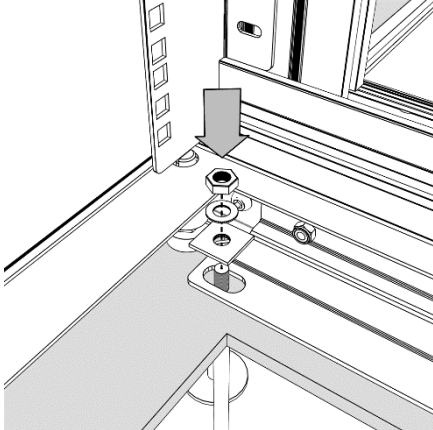
Step 20



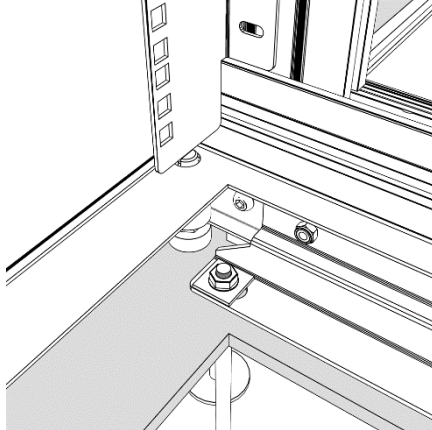
Step 21



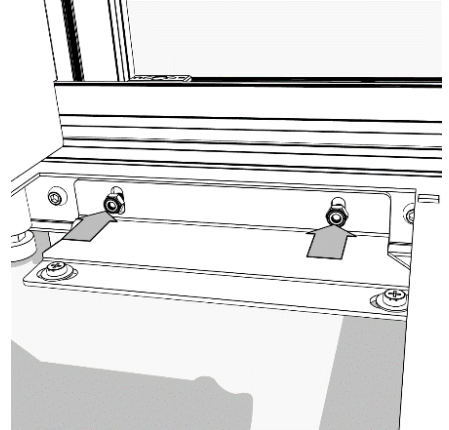
Step 22



Step 23

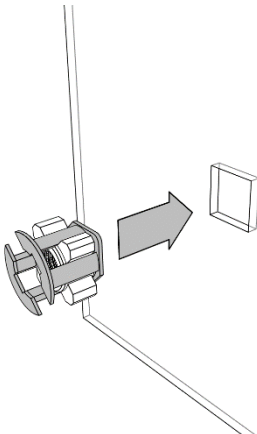


Step 24

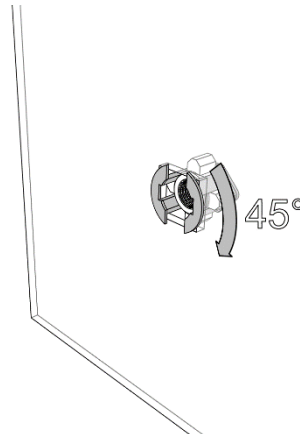


MOUNTING OF CAGE NUT

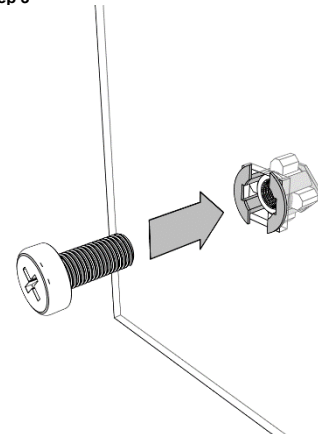
Step 1



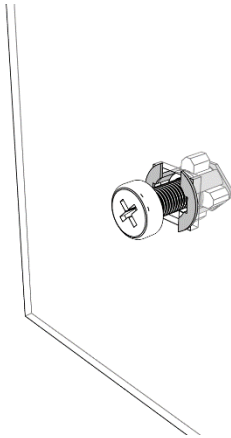
Step 2



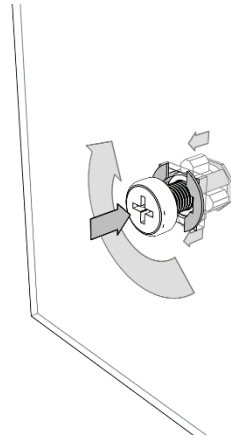
Step 3



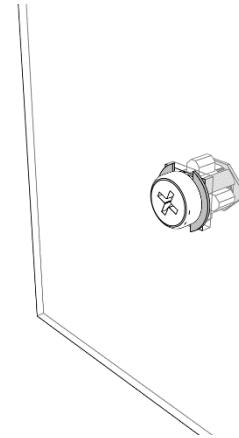
Step 4



Step 5

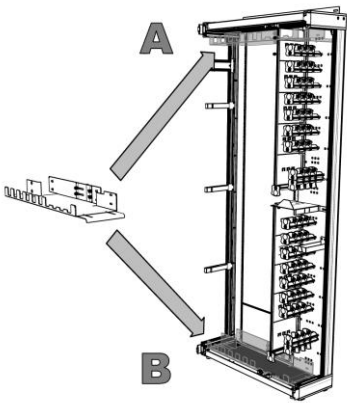


Step 6

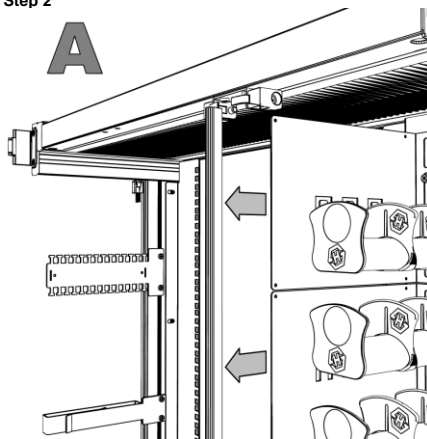


MOUNTING OF ROUTING CHANNEL

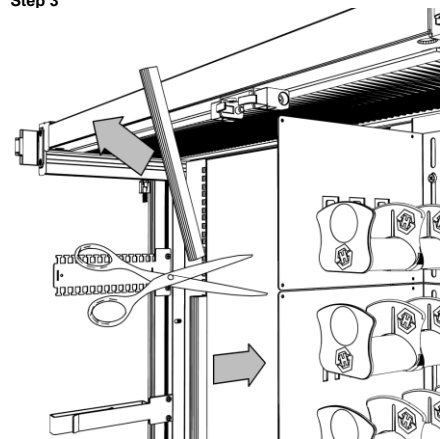
Step 1



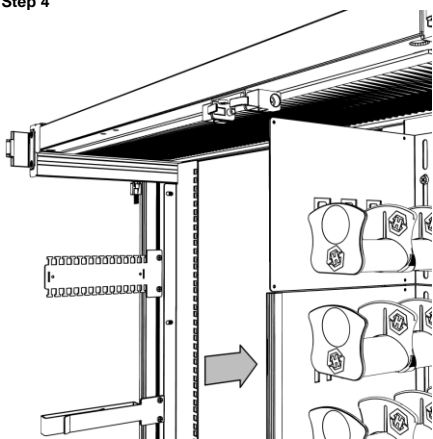
Step 2



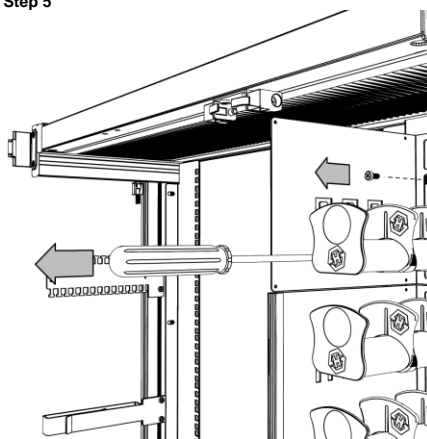
Step 3



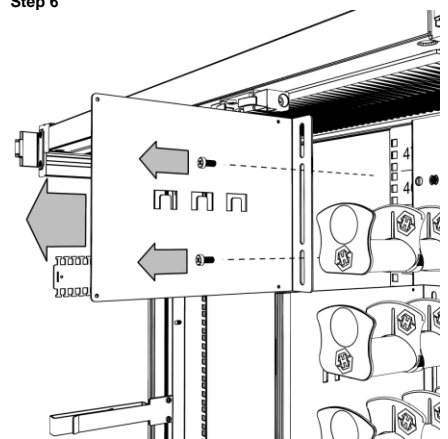
Step 4



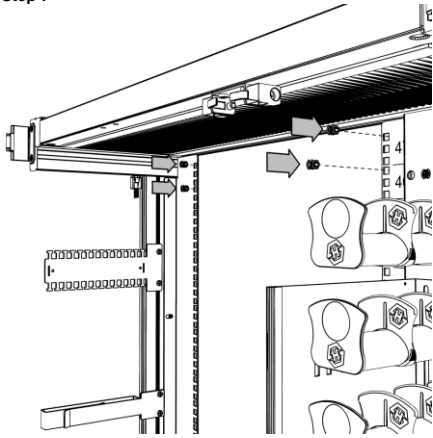
Step 5



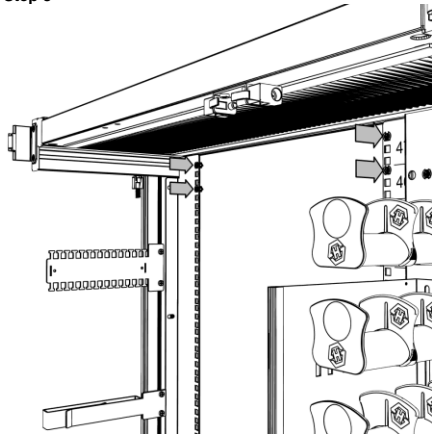
Step 6



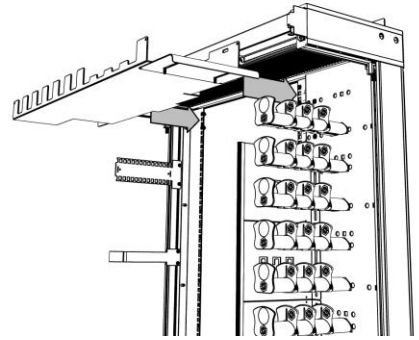
Step 7



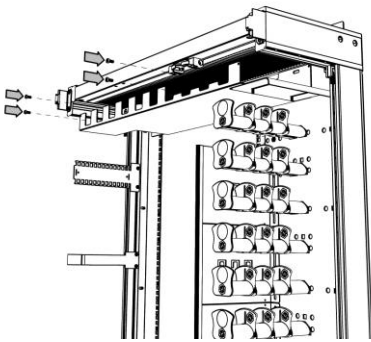
Step 8



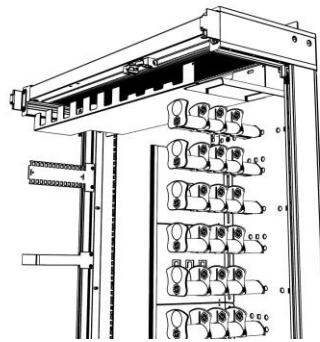
Step 9



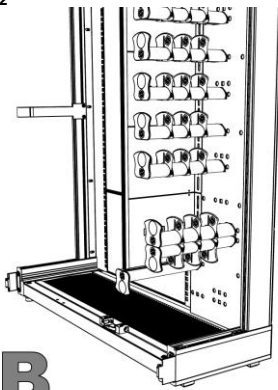
Step 10



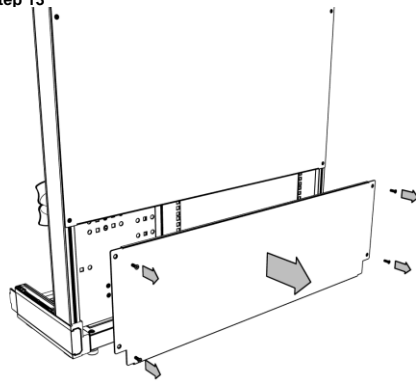
Step 11



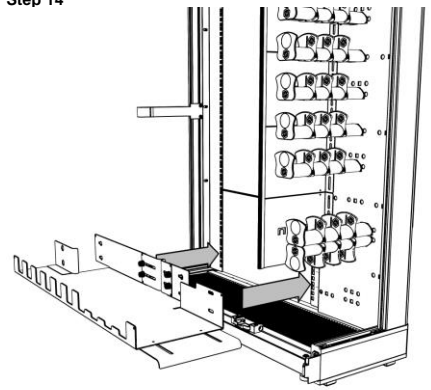
Step 12



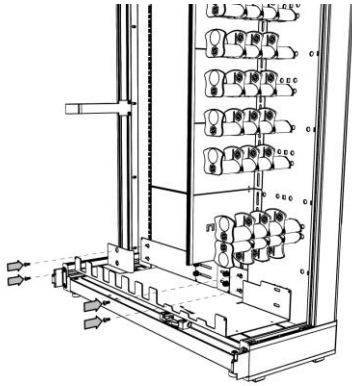
Step 13



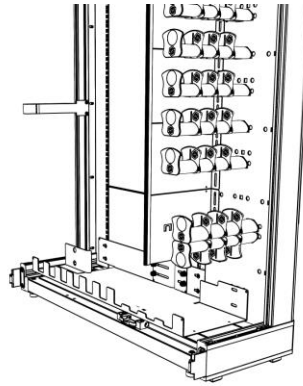
Step 14



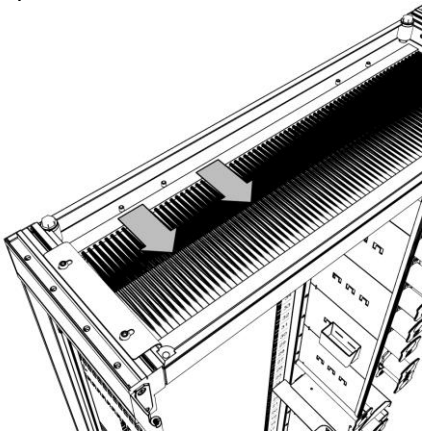
Step 15



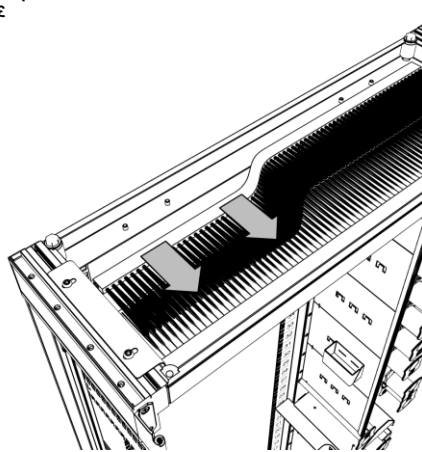
Step 16



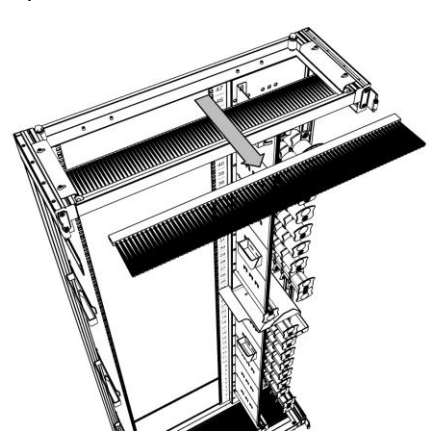
Step 17



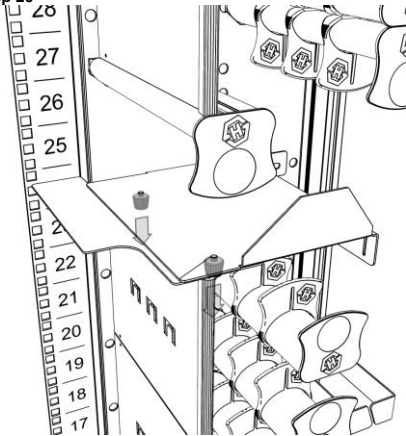
Step 18



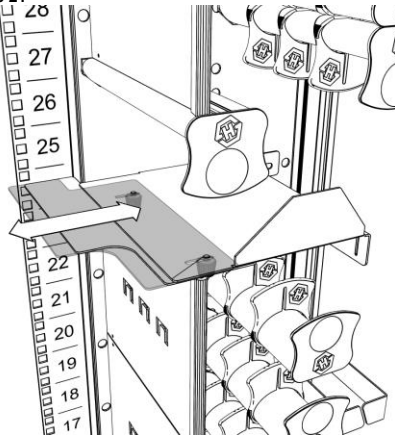
Step 19



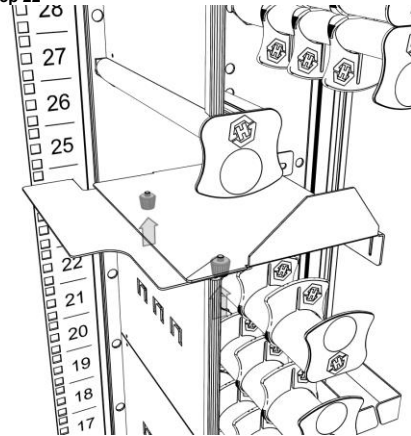
Step 20



Step 21

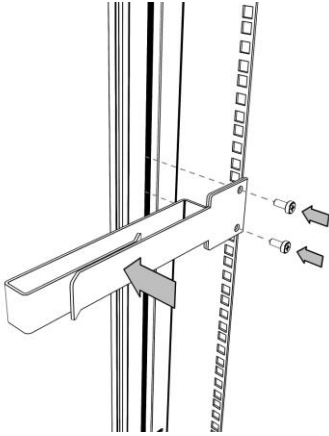


Step 22

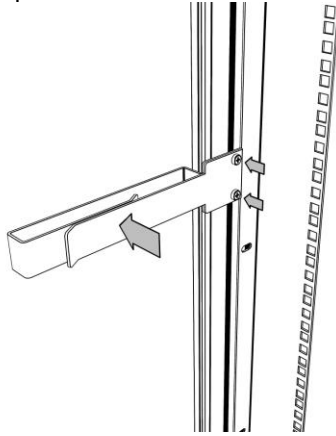


MOUNTING OF CABLE RETAINER

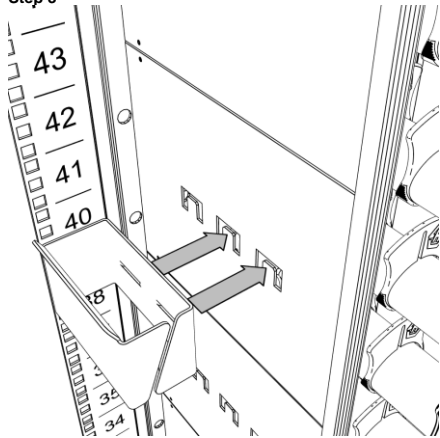
Step 1



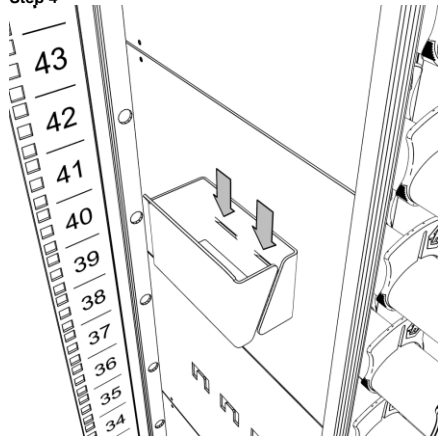
Step 2



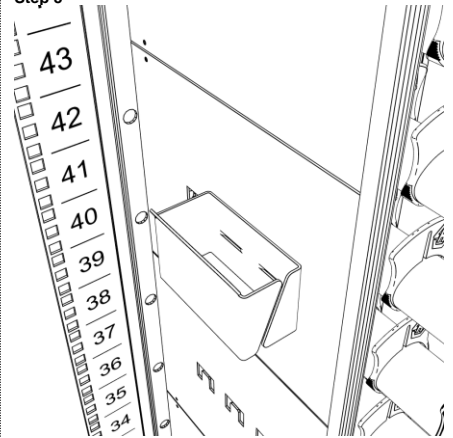
Step 3



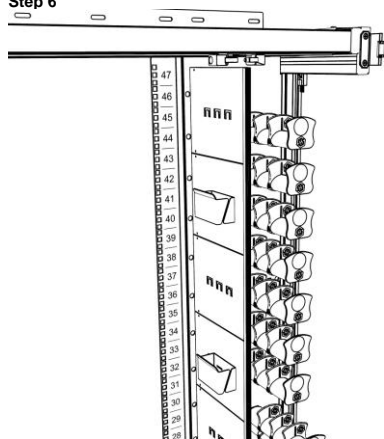
Step 4



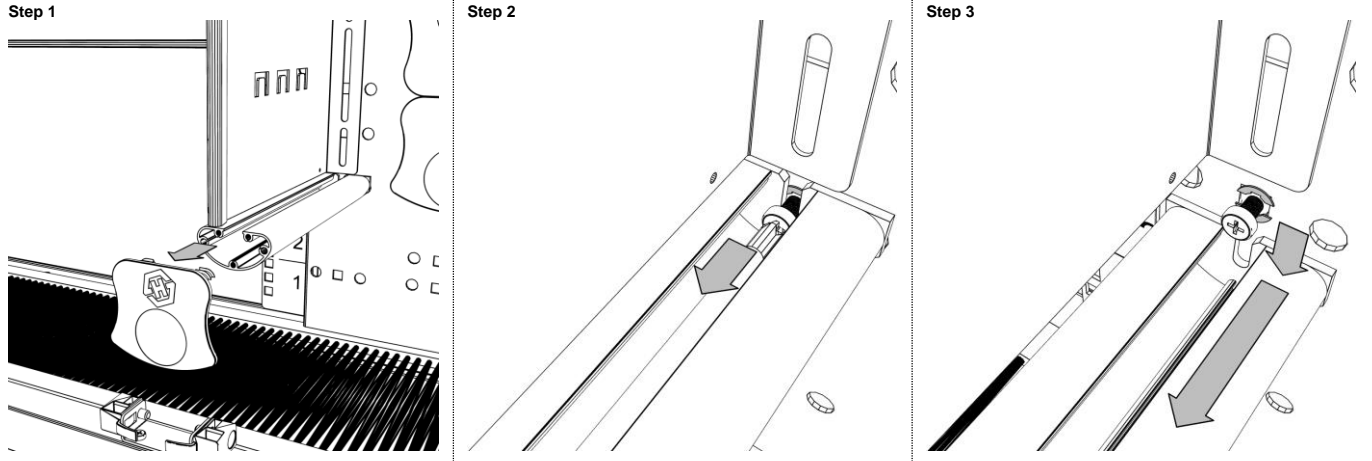
Step 5



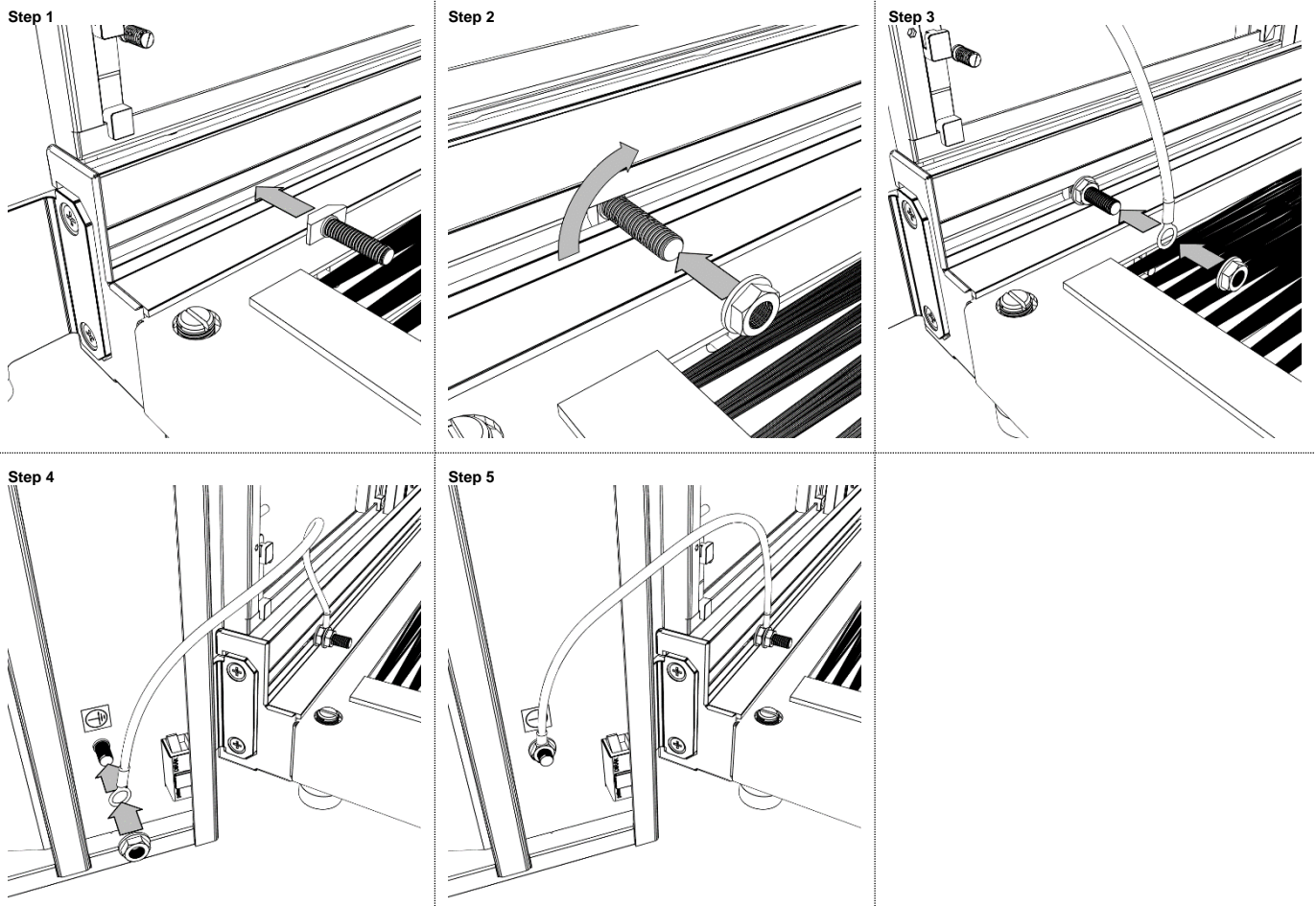
Step 6



DEMOUNTING / MOUNTING OF MANDRELS



MOUNTING OF GROUNDING CABLES / EARTH KIT



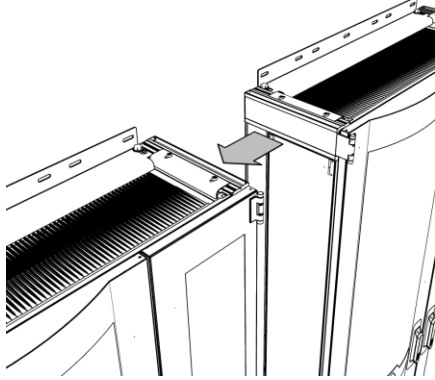
HUBER+SUHNER disclaims any liability resulting from incorrect installation and use, including any damages resulting from the use of tools and accessories other than the ones recommended herein. Any installation performed by unqualified personnel voids the product warranty provided by HUBER+SUHNER. All due care and attention must be exercised when performing the installation of these products. For advice concerning the general handling of these products please contact HUBER+SUHNER.

BAYING RACKS TOGETHER SIDE BY SIDE

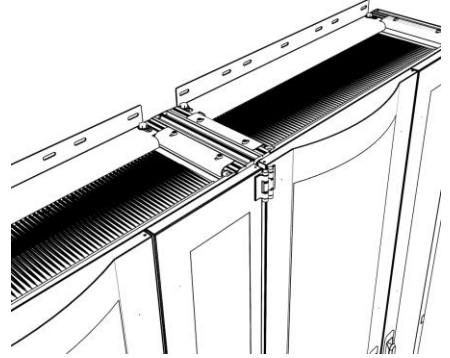
Step 1



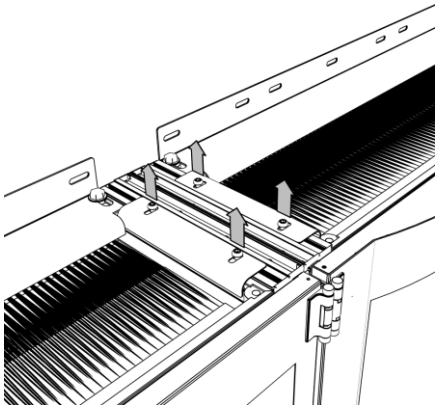
Step 2



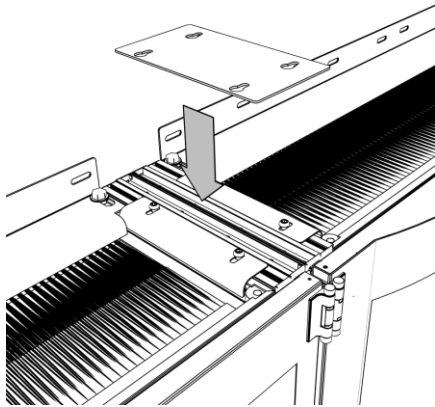
Step 3



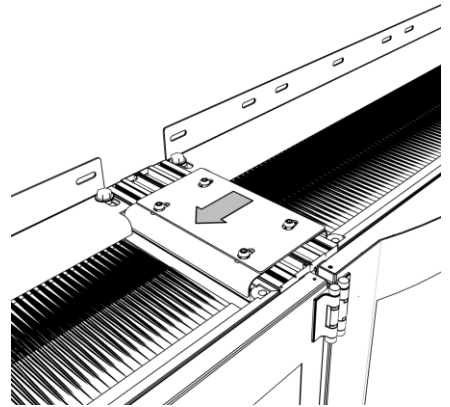
Step 4



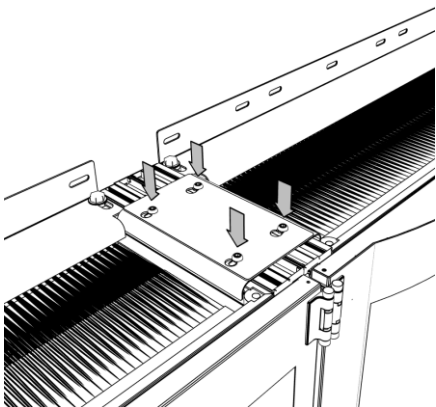
Step 5



Step 6

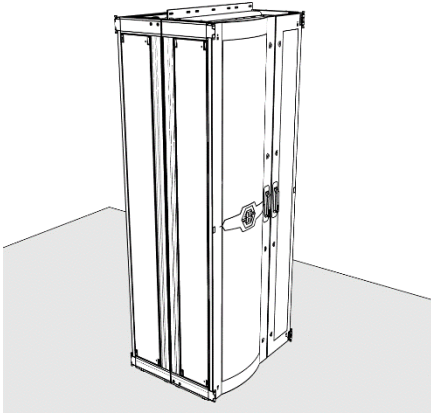


Step 7

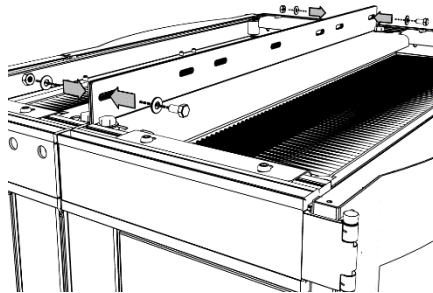


BAYING RACKS TOGETHER BACK TO BACK

Step 1

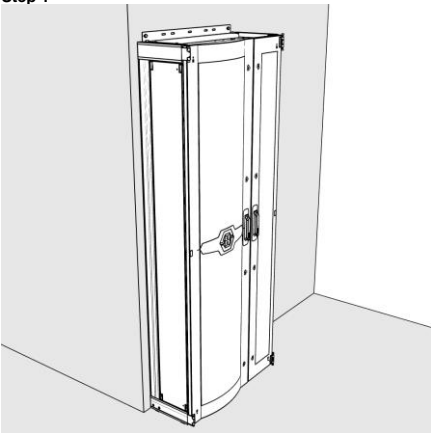


Step 2

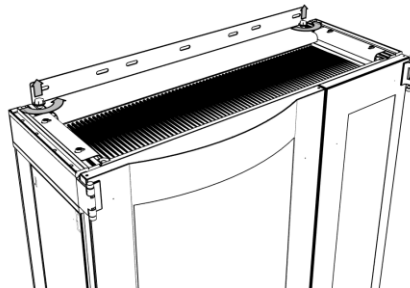


MOUNTING OF RACK AGAINST A WALL

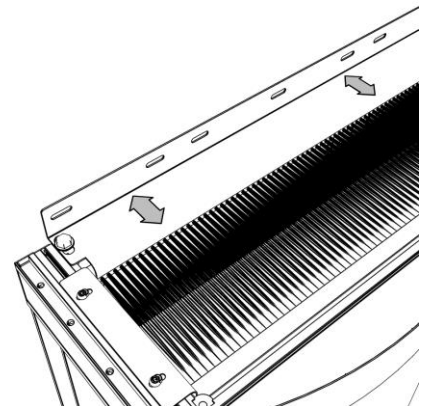
Step 1



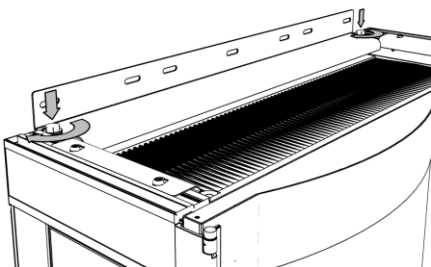
Step 2



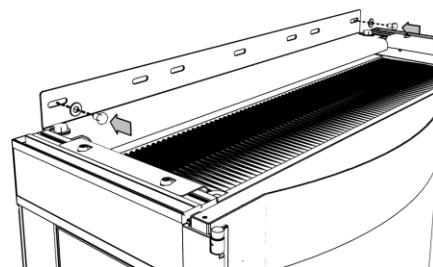
Step 3



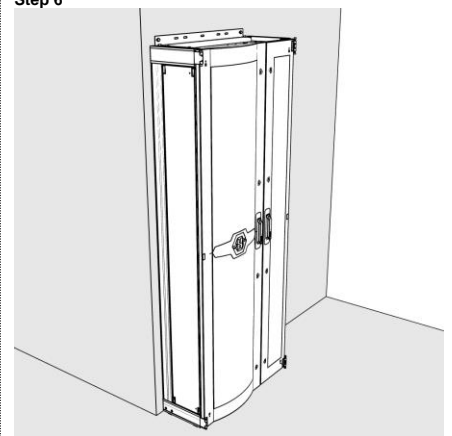
Step 4



Step 5

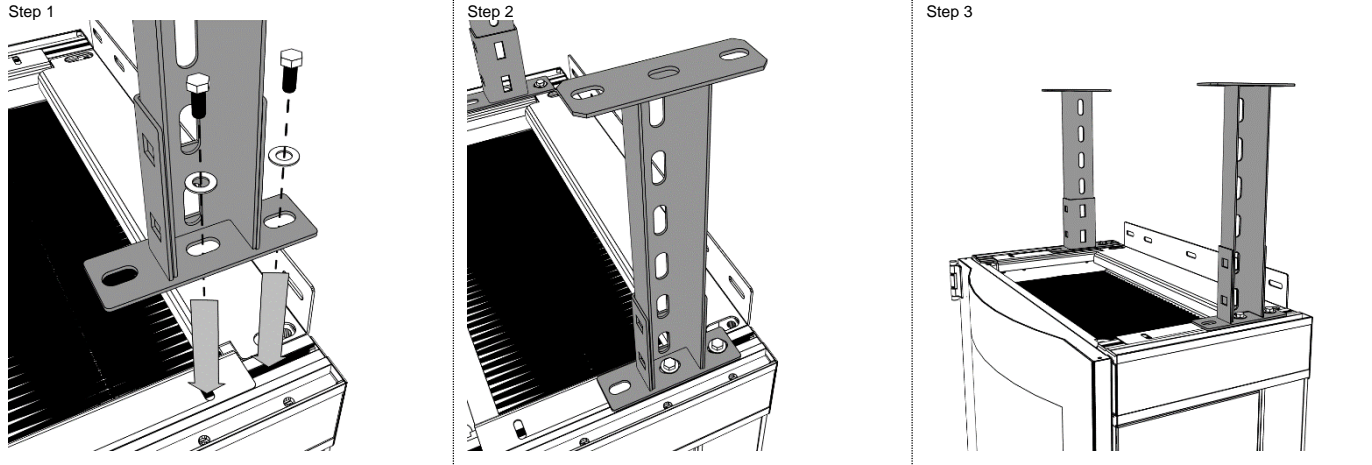


Step 6

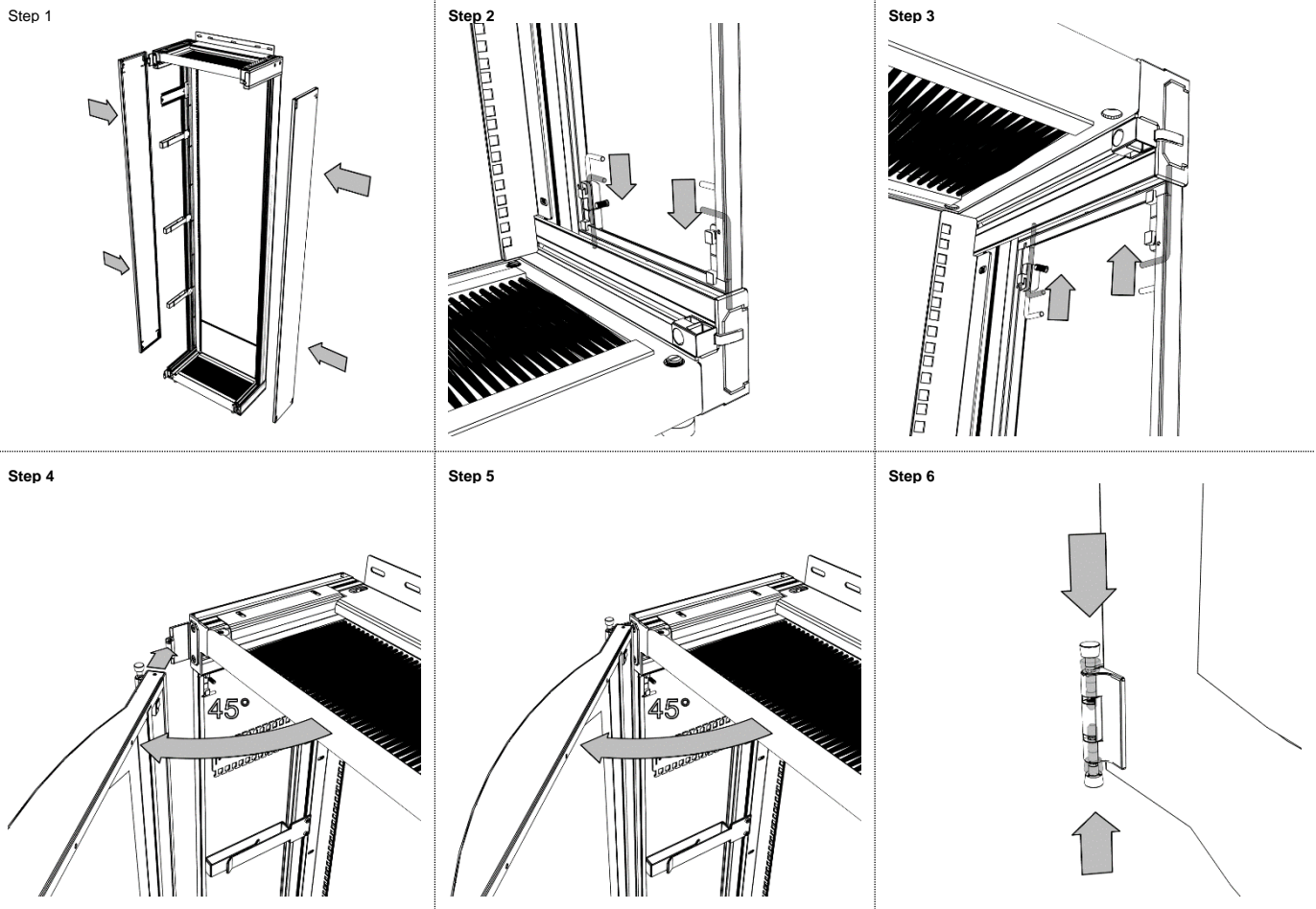


HUBER+SUHNER disclaims any liability resulting from incorrect installation and use, including any damages resulting from the use of tools and accessories other than the ones recommended herein. Any installation performed by unqualified personnel voids the product warranty provided by HUBER+SUHNER. All due care and attention must be exercised when performing the installation of these products. For advice concerning the general handling of these products please contact HUBER+SUHNER.

MOUNTING OF RACK TO CEILING – 84069172



MOUNTING OF DOORS AND SIDE PANELS



HUBER+SUHNER disclaims any liability resulting from incorrect installation and use, including any damages resulting from the use of tools and accessories other than the ones recommended herein. Any installation performed by unqualified personnel voids the product warranty provided by HUBER+SUHNER. All due care and attention must be exercised when performing the installation of these products. For advice concerning the general handling of these products please contact HUBER+SUHNER.

Step 7

